

[54] FABRIC DISPLAY RACK

[76] Inventors: Donald A. Butcher, Box 394, Rte. 10, Burlington; Marvin L. Barbee, P.O. Box 4235, Glen Raven, both of N.C. 27215

[**] Term: 14 Years

[21] Appl. No.: 967,720

[22] Filed: Dec. 8, 1978

[51] Int. Cl. D20-02

[52] U.S. Cl. D6/157; D6/85

[58] Field of Search D6/85, 157, 139; 211/13, 44, 168, 169, 181

[56] References Cited

U.S. PATENT DOCUMENTS

D. 253,450 11/1979 Butcher et al. D6/157

999,189	7/1911	Altivatev	211/181
1,742,164	12/1929	Berke	211/168
2,260,294	10/1941	Brown	211/44
2,450,180	9/1948	Bixer	211/44
3,935,949	2/1976	Cohen	211/168

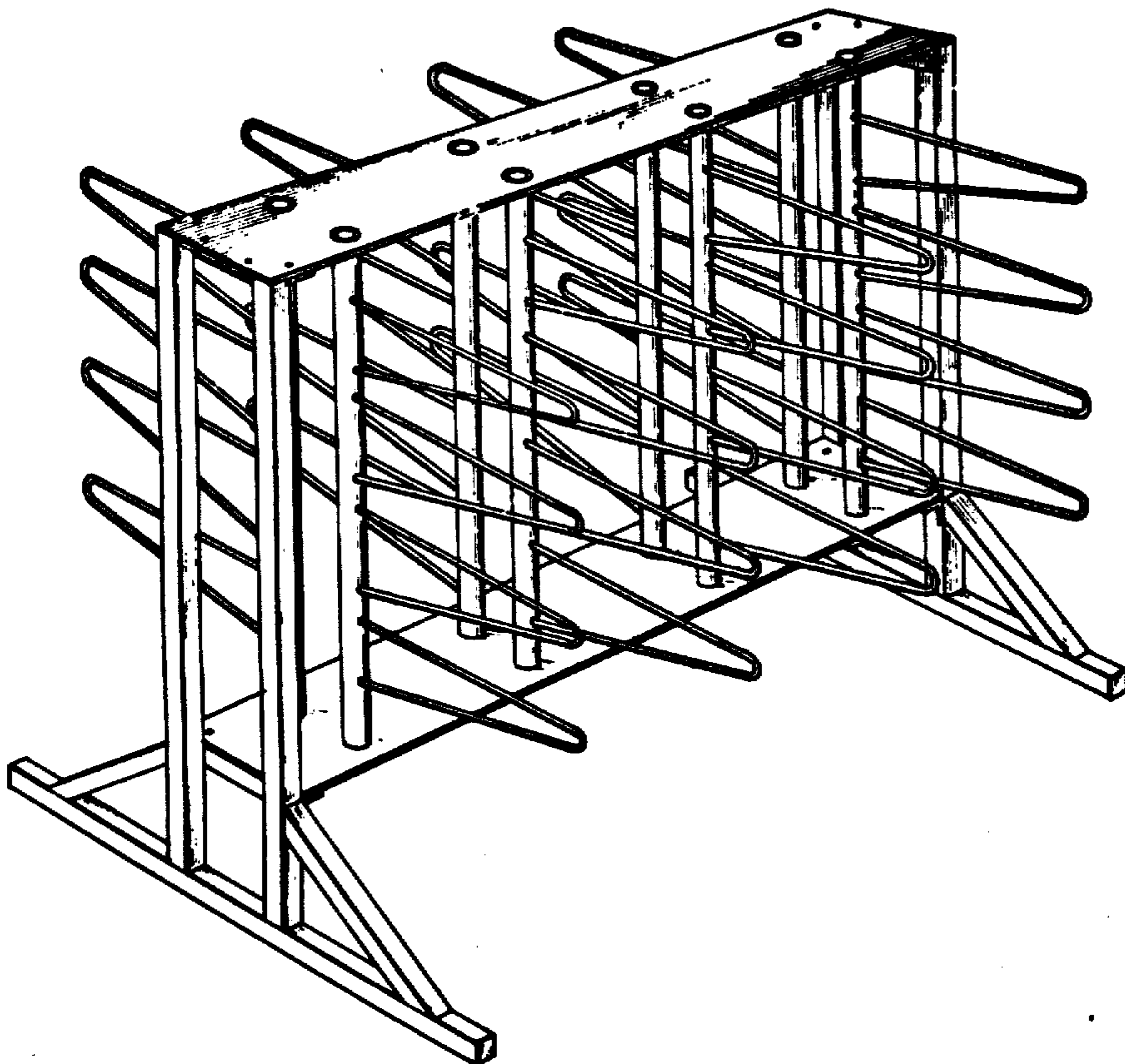
Primary Examiner—B. J. Bullock

[57] CLAIM

The ornamental design for a fabric display rack, as shown and described.

DESCRIPTION

FIG. 1 is a front perspective view of a fabric display rack embodying our new design; FIG. 2 is a side elevational view taken from the left of FIG. 1, the side opposite being identical; FIG. 3 is a rear elevational view thereof; and FIG. 4 is a top plan view thereof. The bottom of the fabric display rack is plain and unornamented.



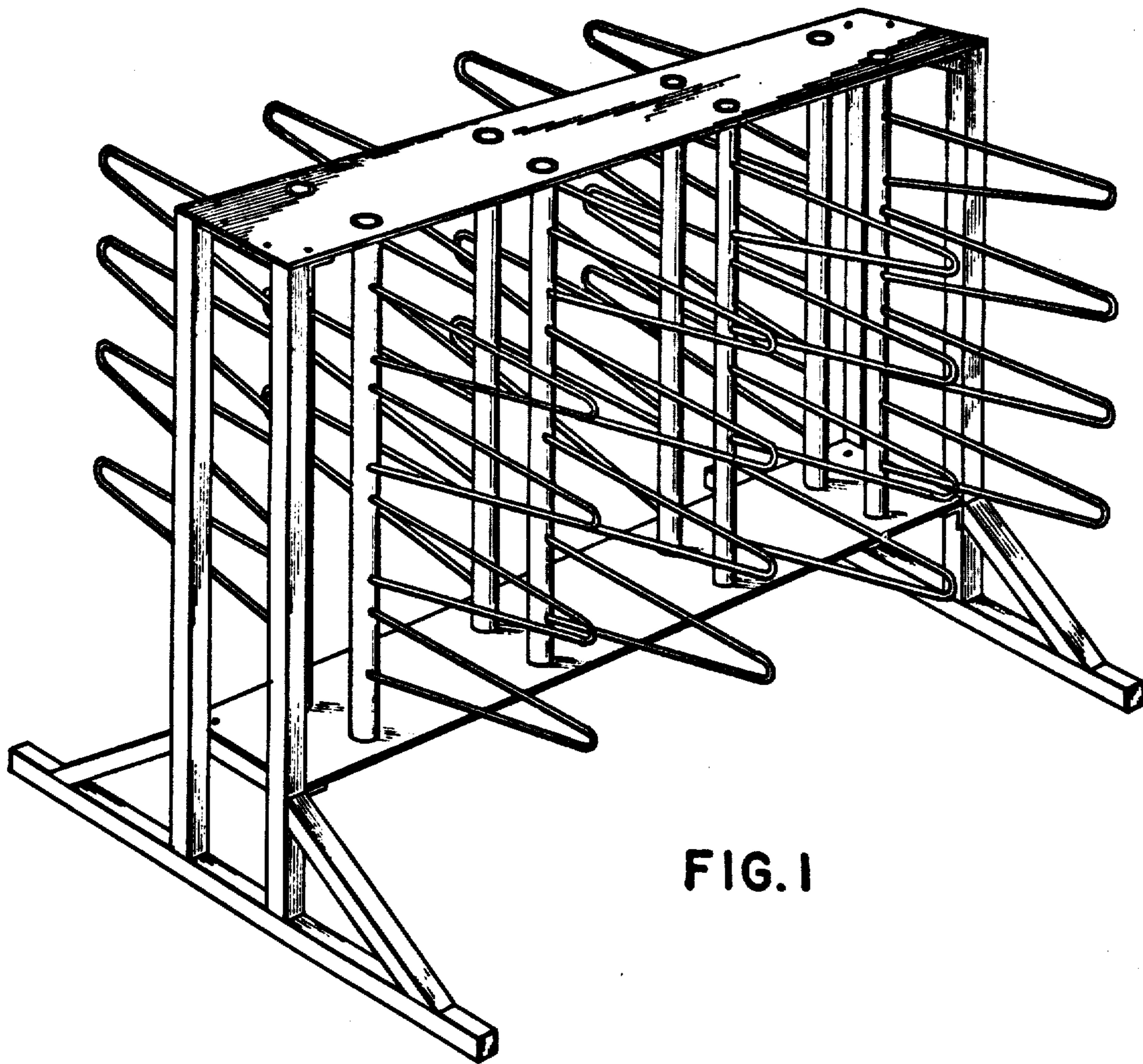


FIG. 1

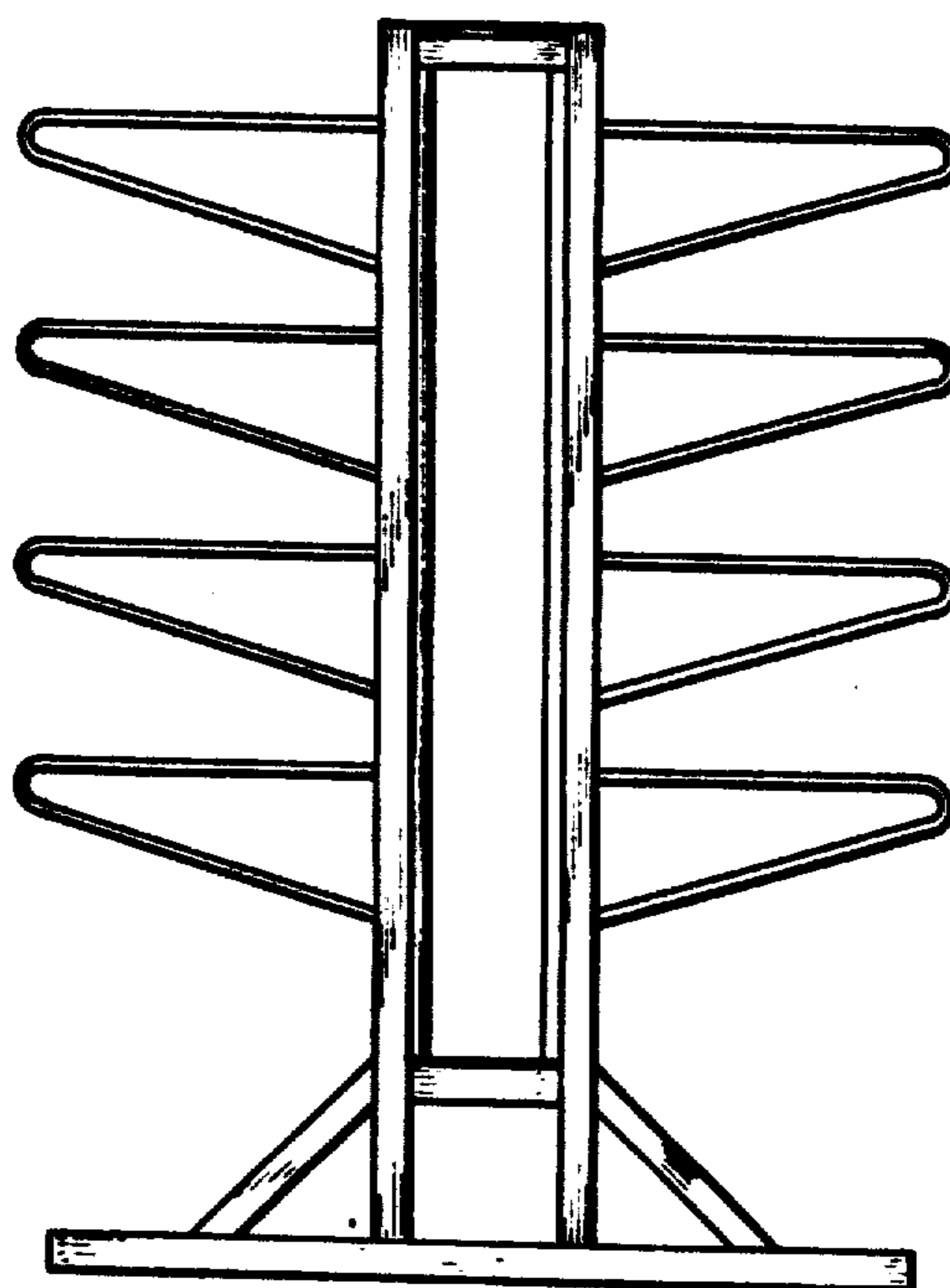


FIG. 2

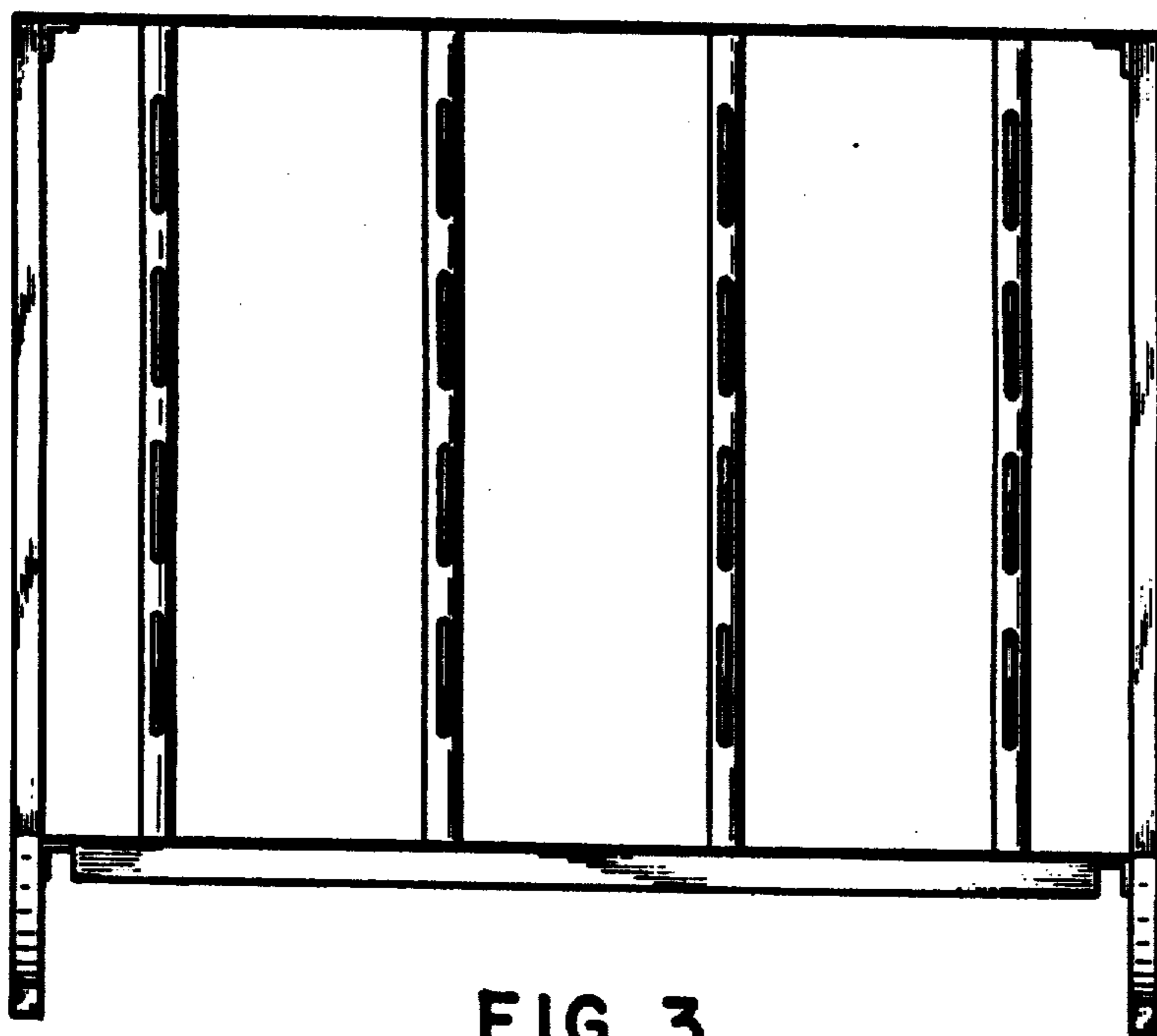


FIG. 3

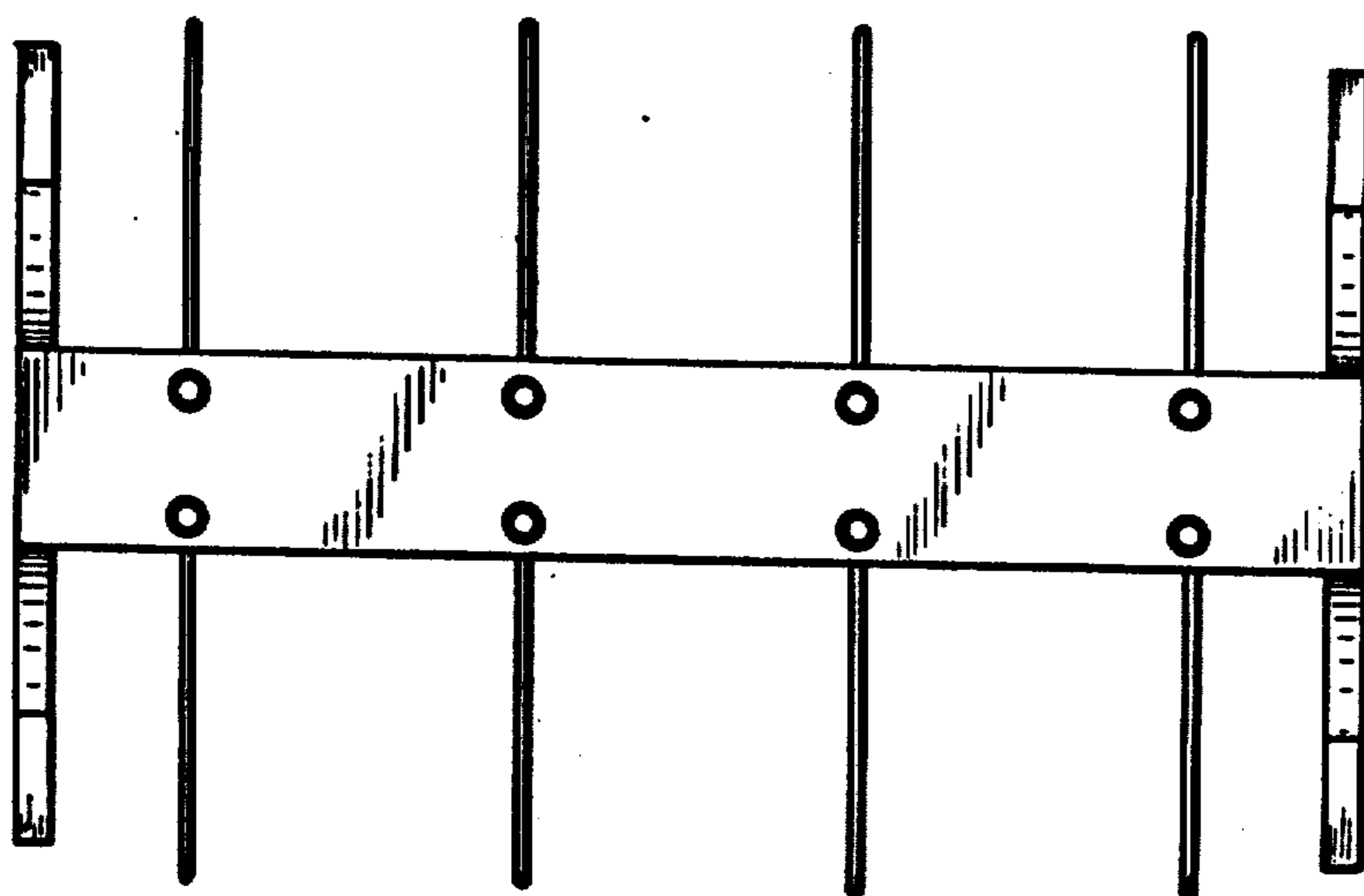


FIG. 4