

[54] TABLE

[75] Inventor: David Alexander, Stoney Creek,
Canada

[73] Assignee: Jack E. Alexander, Bracebridge,
Canada

[**] Term: 14 Years

[21] Appl. No.: 4,561

[22] Filed: Jan. 18, 1979

[51] Int. Cl. D6-03

[52] U.S. Cl. D6/147; D6/175

[58] Field of Search D6/47-78,
D6/146-149, 151-154, 175-179, 27

[56]

References Cited
U.S. PATENT DOCUMENTS

D. 97,548 11/1935 Davis D6/147
D. 179,527 1/1957 Rubin D6/147
D. 207,263 3/1967 Bowers D6/147

Primary Examiner—Bruce W. Dunkins
Attorney, Agent, or Firm—Diller, Ramik & Wight

[57]

CLAIM

The ornamental design for a table, as shown and described.

DESCRIPTION

FIG. 1 is a top perspective view of a table showing my new design.
FIG. 2 is a bottom view thereof.
FIG. 3 is a top view thereof.
FIG. 4 is a side elevational view thereof.

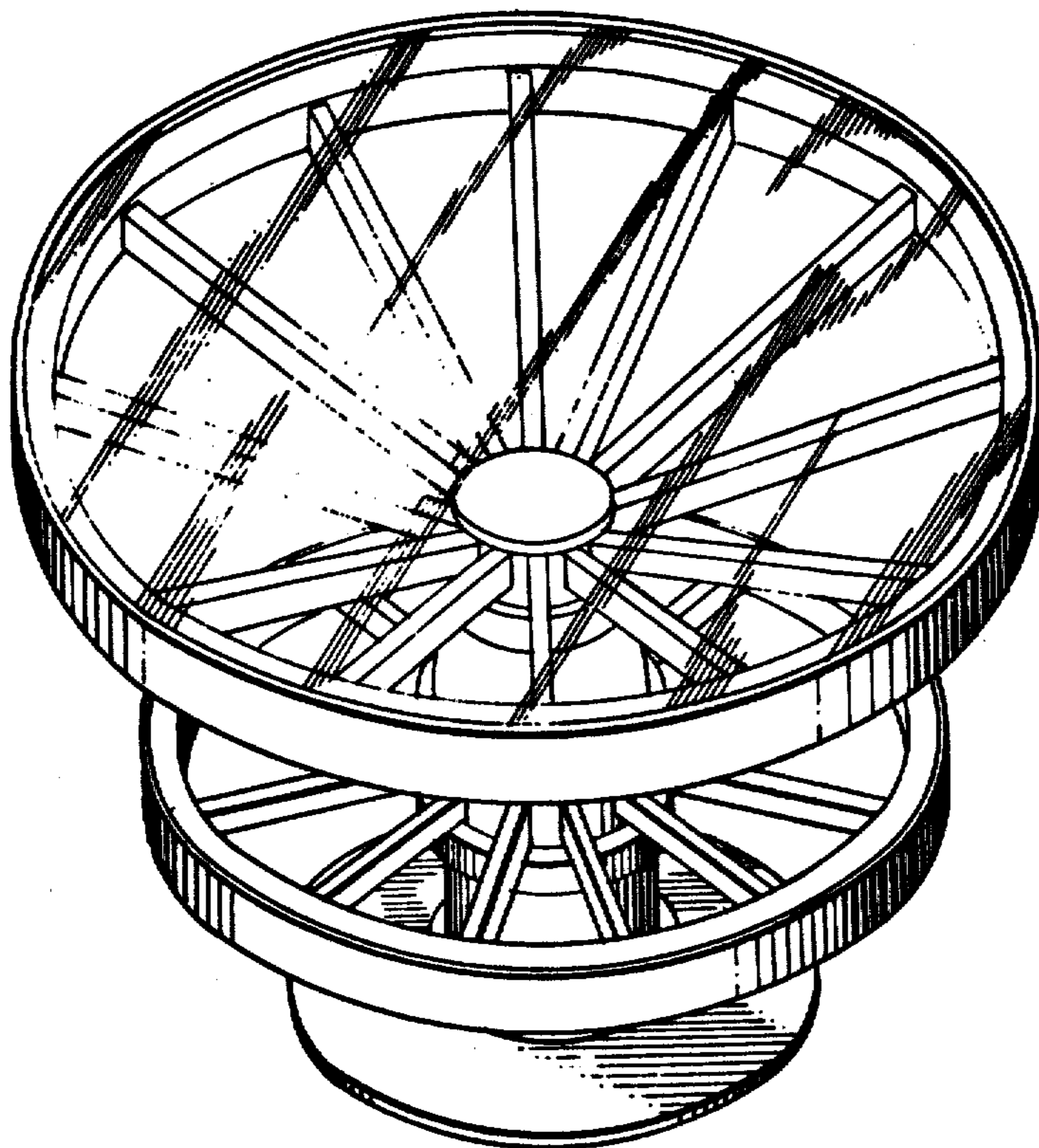


FIG.1

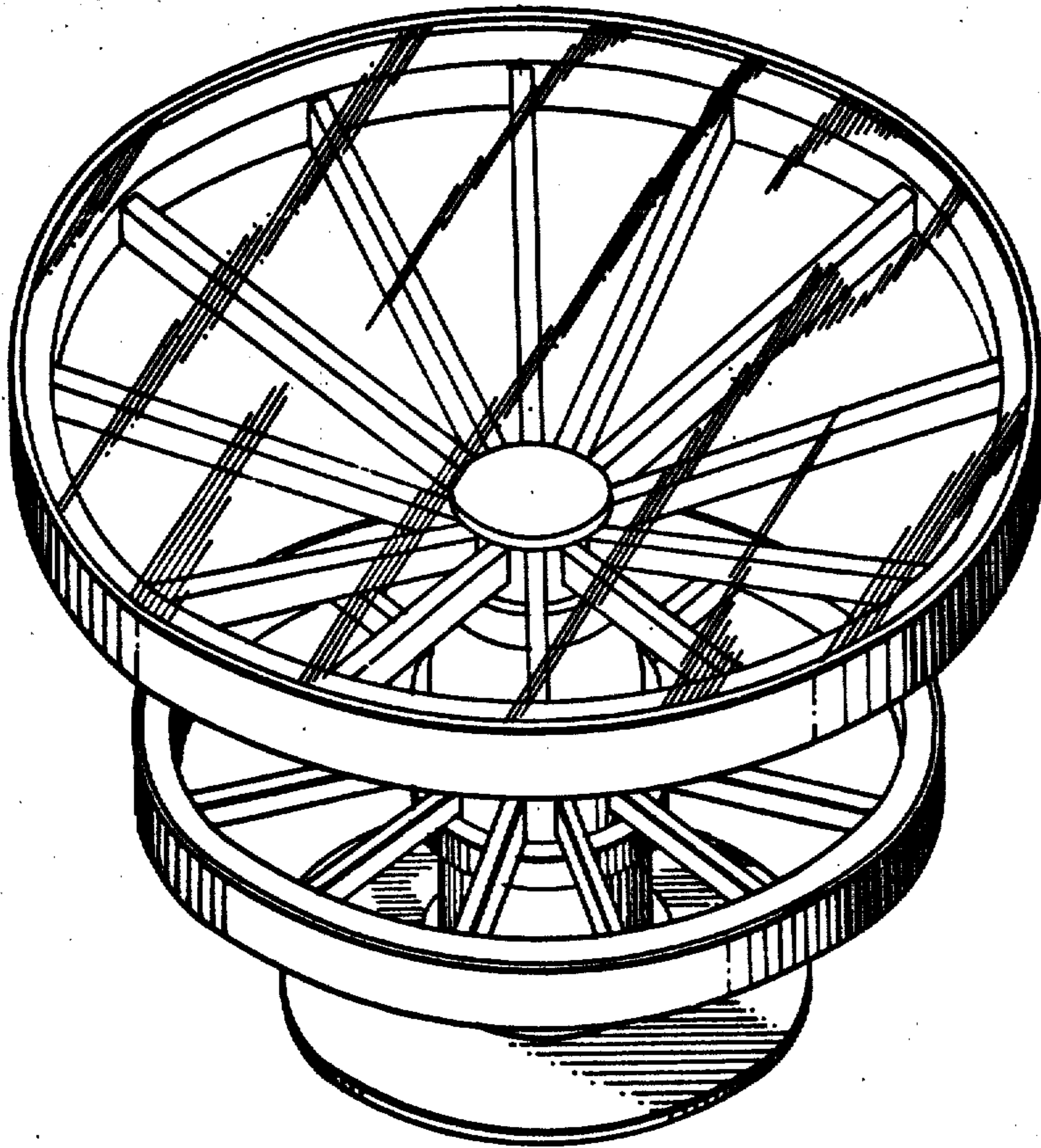


FIG.2

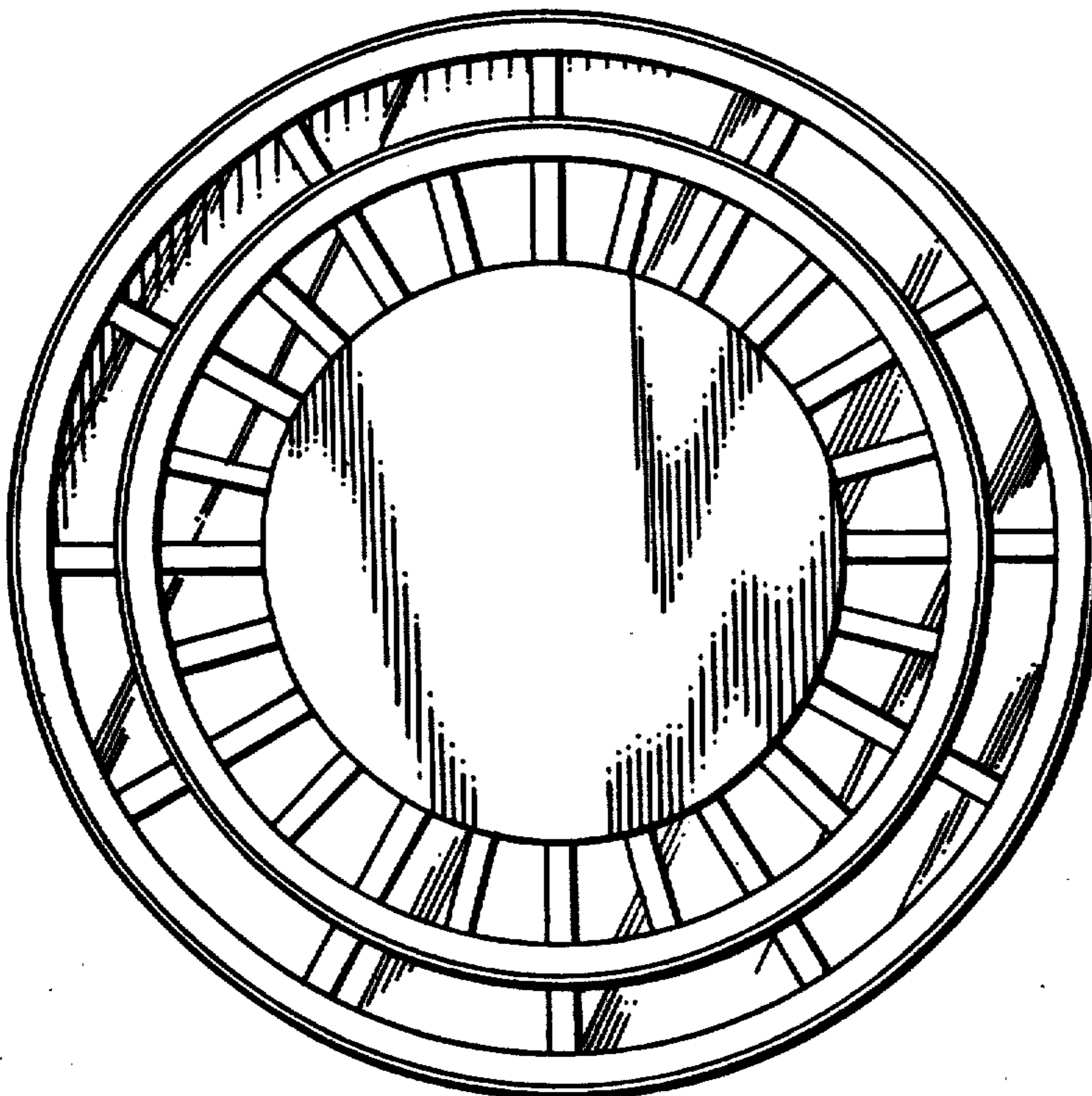


FIG.3

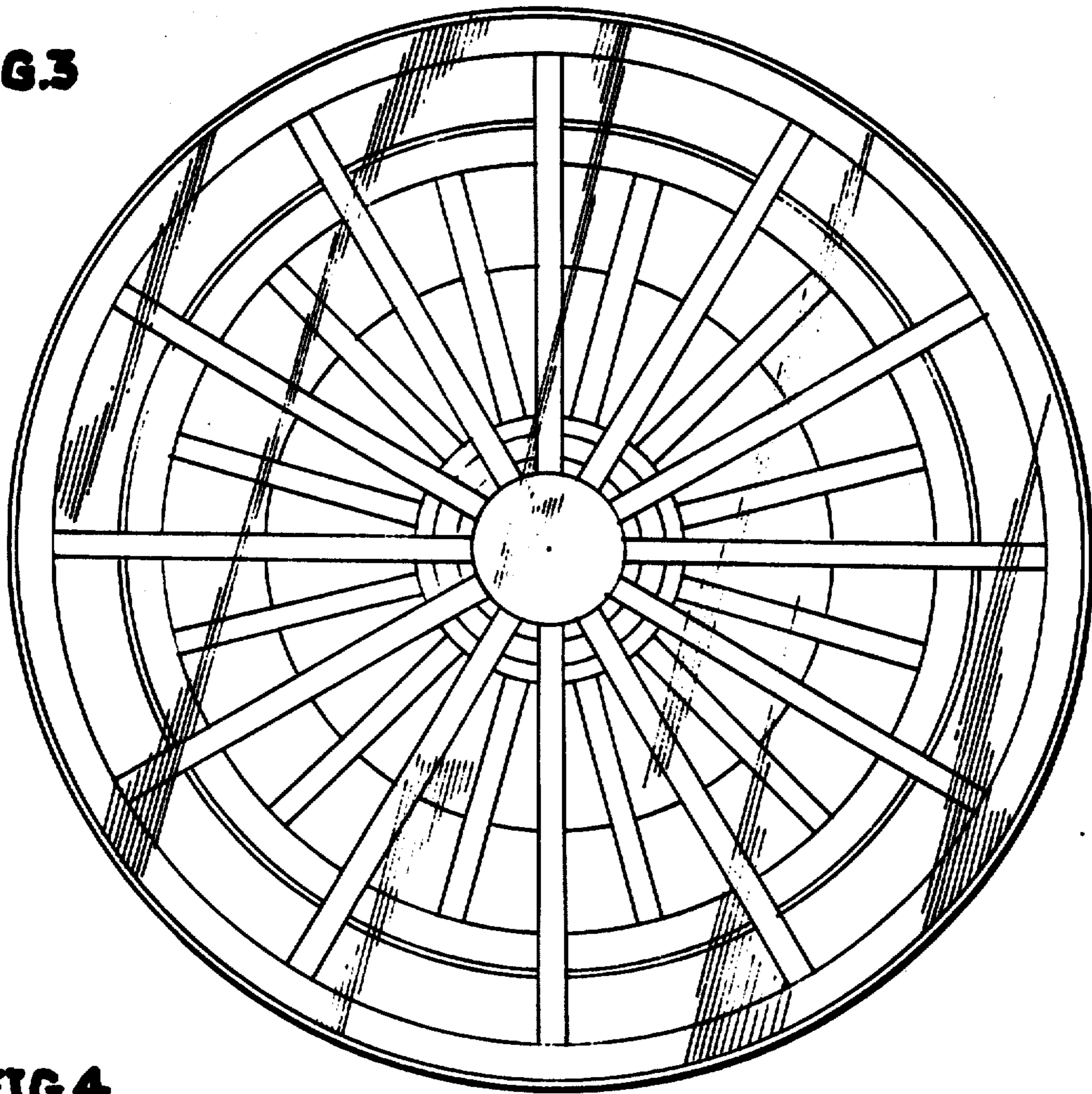


FIG.4

