

[54] CARRYING CASE FOR CASSETTES AND CASSETTE PLAYER

[76] Inventors: Frederick S. Davies, 7801 SE. 75th Pl., Mercer Island, Wash. 98040; Stephen J. Carrier, 1836 Westlake Ave. N., #302, Seattle, Wash. 98109

[\*\*] Term: 14 Years

[21] Appl. No.: 76,997

[22] Filed: Sep. 19, 1979

[51] Int. Cl. .... D3-02

[52] U.S. Cl. .... D3/35; D3/73

[58] Field of Search .... D3/30, 33, 35, 36, 72, D3/73, 76; 206/315 B, 315, 387; 190/41 R; 150/1.6; 224/45 K, 45 R

[56] References Cited

U.S. PATENT DOCUMENTS

D. 198,116	4/1964	Pohlmann .....	D3/73
D. 245,815	9/1977	Dunnavan .....	D3/76
D. 247,459	3/1978	Tennison .....	D3/73
4,164,309	8/1979	Stapts .....	D3/73

Primary Examiner—George P. Word  
Attorney, Agent, or Firm—Cole, Jensen & Puntigam

[57] CLAIM

The ornamental design for a carrying case for cassettes and cassette player, substantially as shown and described.

DESCRIPTION

FIG. 1 is a front elevational view of a carrying case for cassettes and showing our new design;  
FIG. 2 is a rear elevational view thereof;  
FIG. 3 is a left side elevational view thereof;  
FIG. 4 is a right side elevational view thereof;  
FIG. 5 is a top plan view thereof; and  
FIG. 6 is a bottom plan of the carrying case for cassettes and cassette player.

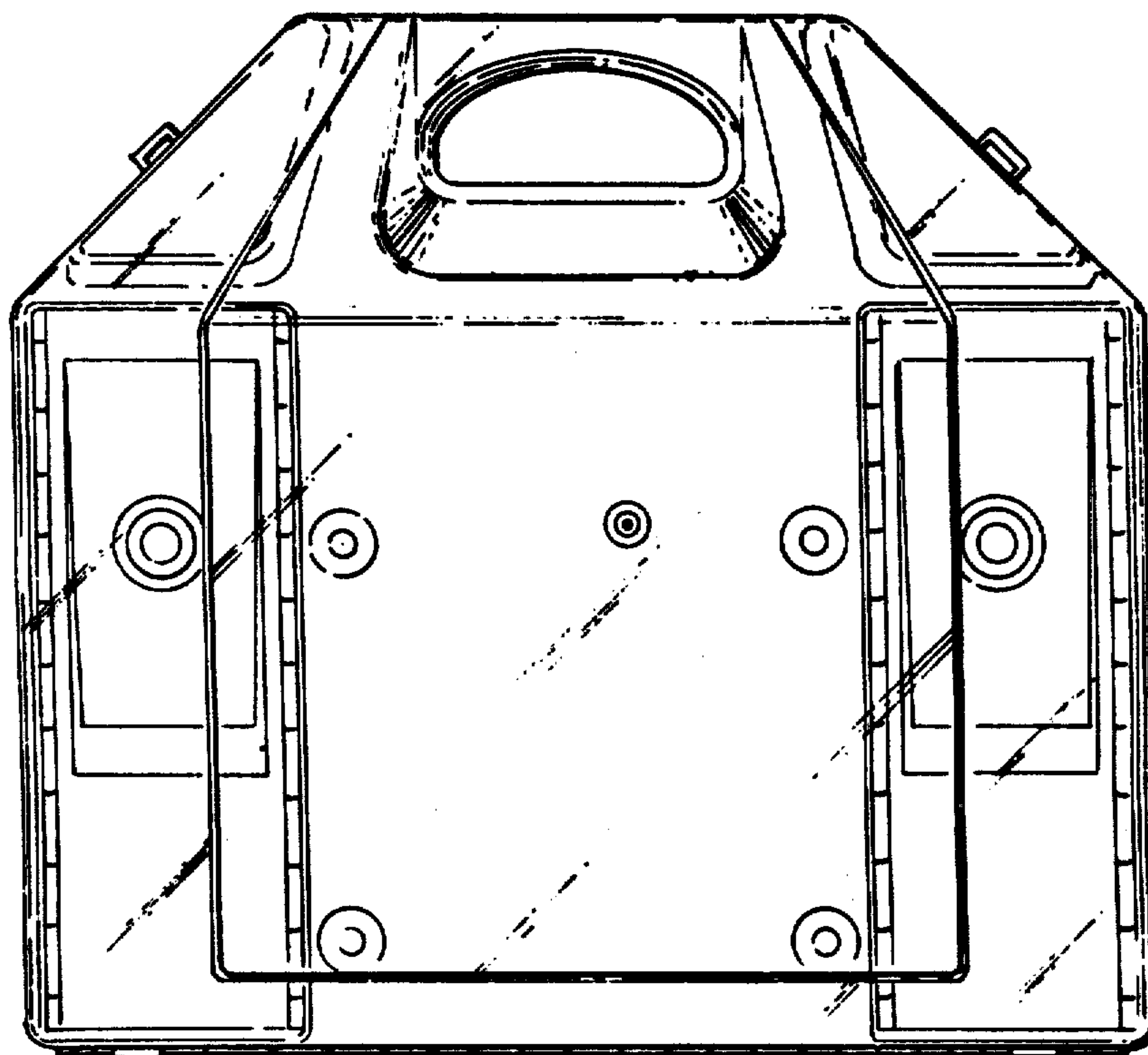


FIG. 1

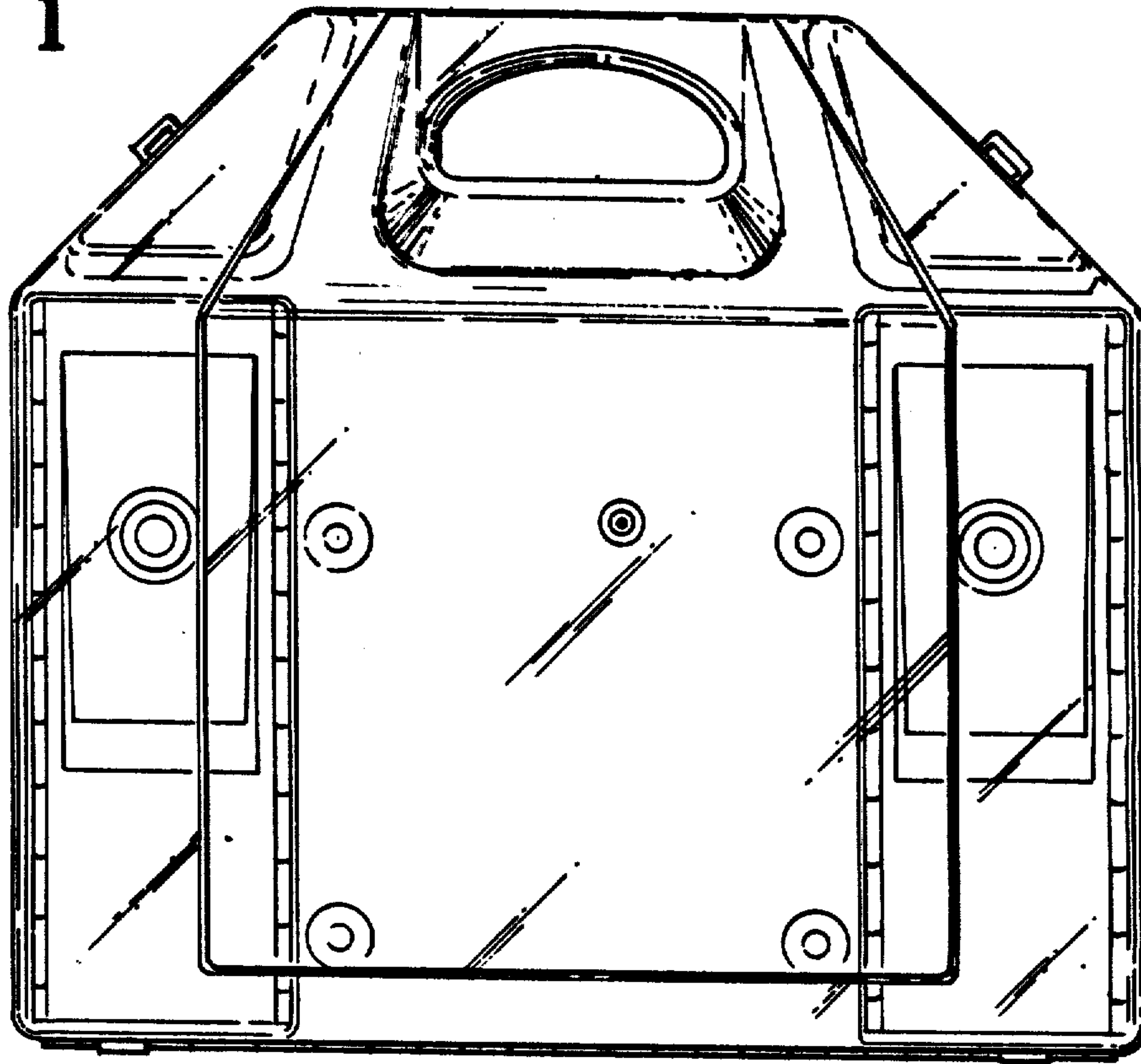
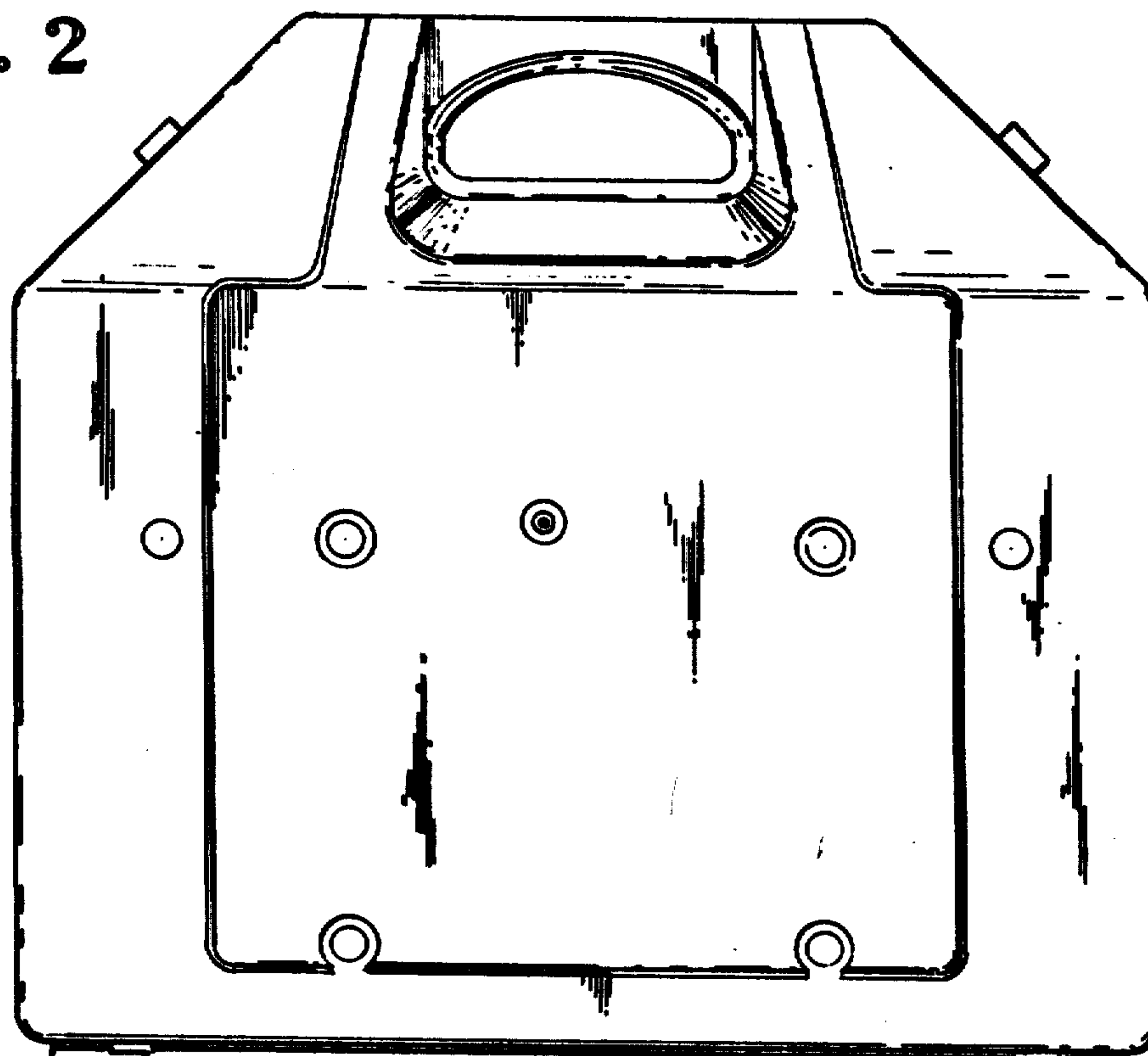


FIG. 2



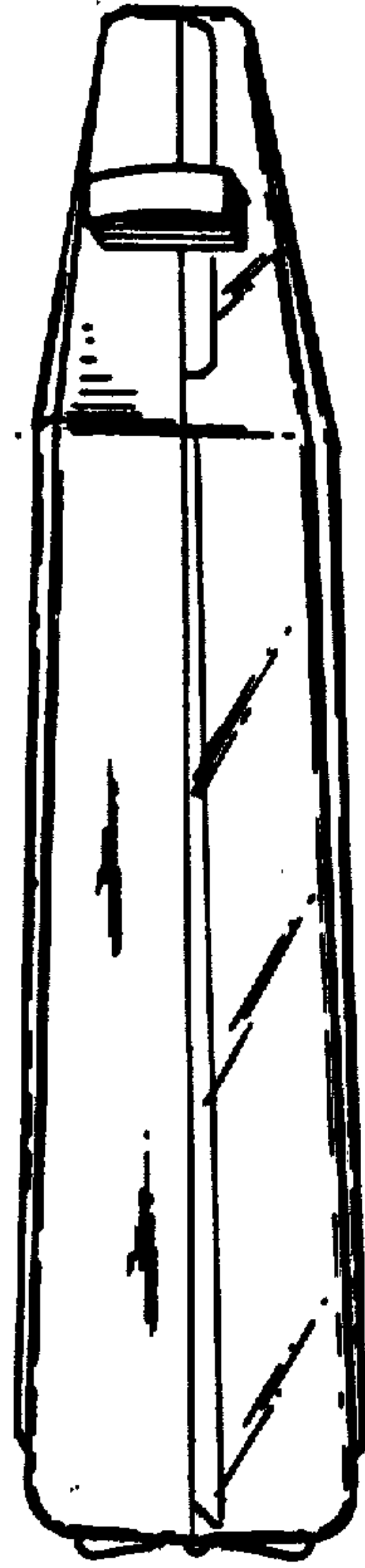


FIG. 3

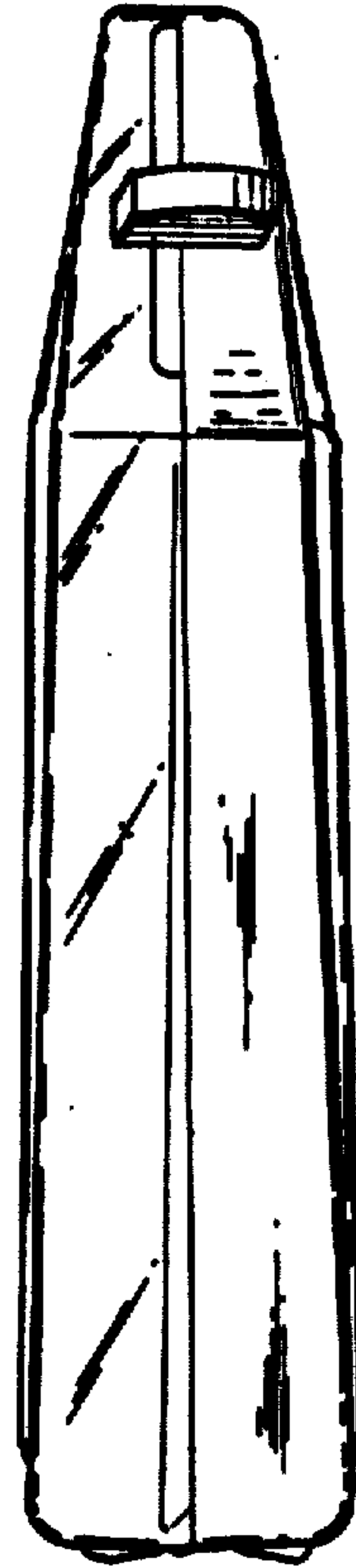


FIG. 4

FIG. 5

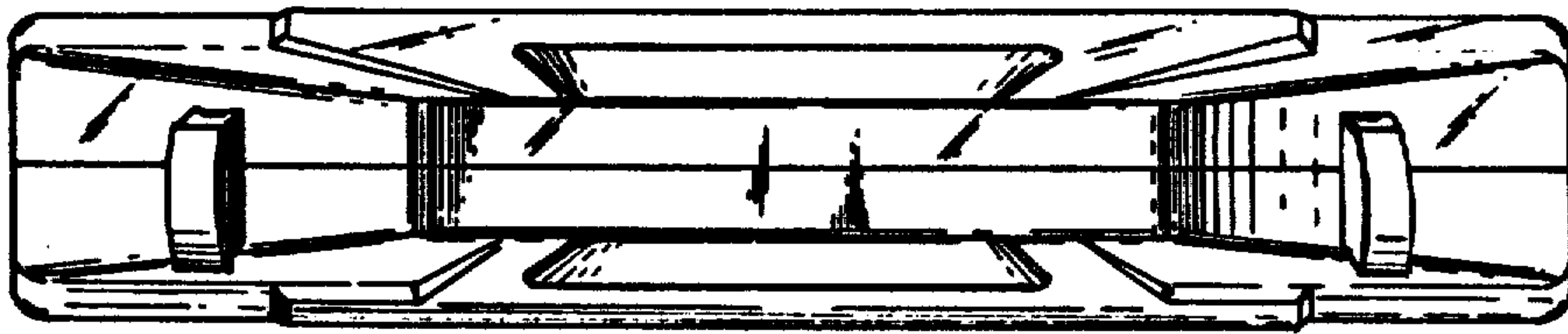


FIG. 6

