

[54] TAPE CASSETTE HOLDER

[76] Inventor: Robert F. Haswell, Has-A-Well,
Oldfield Rd., Bickley, Bromley,
Kent, England

[**] Term: 14 Years

[21] Appl. No.: 60,208

[22] Filed: Jul. 24, 1979

[30] Foreign Application Priority Data

Dec. 21, 1978 [GB] United Kingdom 98777/78

[51] Int. Cl. D3-02

[52] U.S. Cl. D3/35; D9/189

[58] Field of Search D3/35; D6/130, 131,
D6/157, 188, 189; 206/387; D19/90, 92;
211/11, 49; D9/189, 191-193

[56] References Cited

U.S. PATENT DOCUMENTS

D. 221,193 7/1971 Goren D3/35

D. 226,425 3/1973 Orlich D9/189
D. 232,887 9/1974 Funahashi D6/130
D. 239,419 3/1976 Clowe D3/35
D. 246,491 11/1977 D'Alo D6/188
D. 246,557 12/1977 Gilmartin D6/114
D. 248,147 6/1978 Rauch et al. D9/189

Primary Examiner—George P. Word

[57] CLAIM

The ornamental design for a tape cassette holder, as shown and described.

DESCRIPTION

FIG. 1 is a perspective view of a tape cassette holder showing my new design.

FIG. 2 is a cross-sectional view taken along the line 2-2 of FIG. 1;

FIG. 3 is a reduced scale front elevational view;

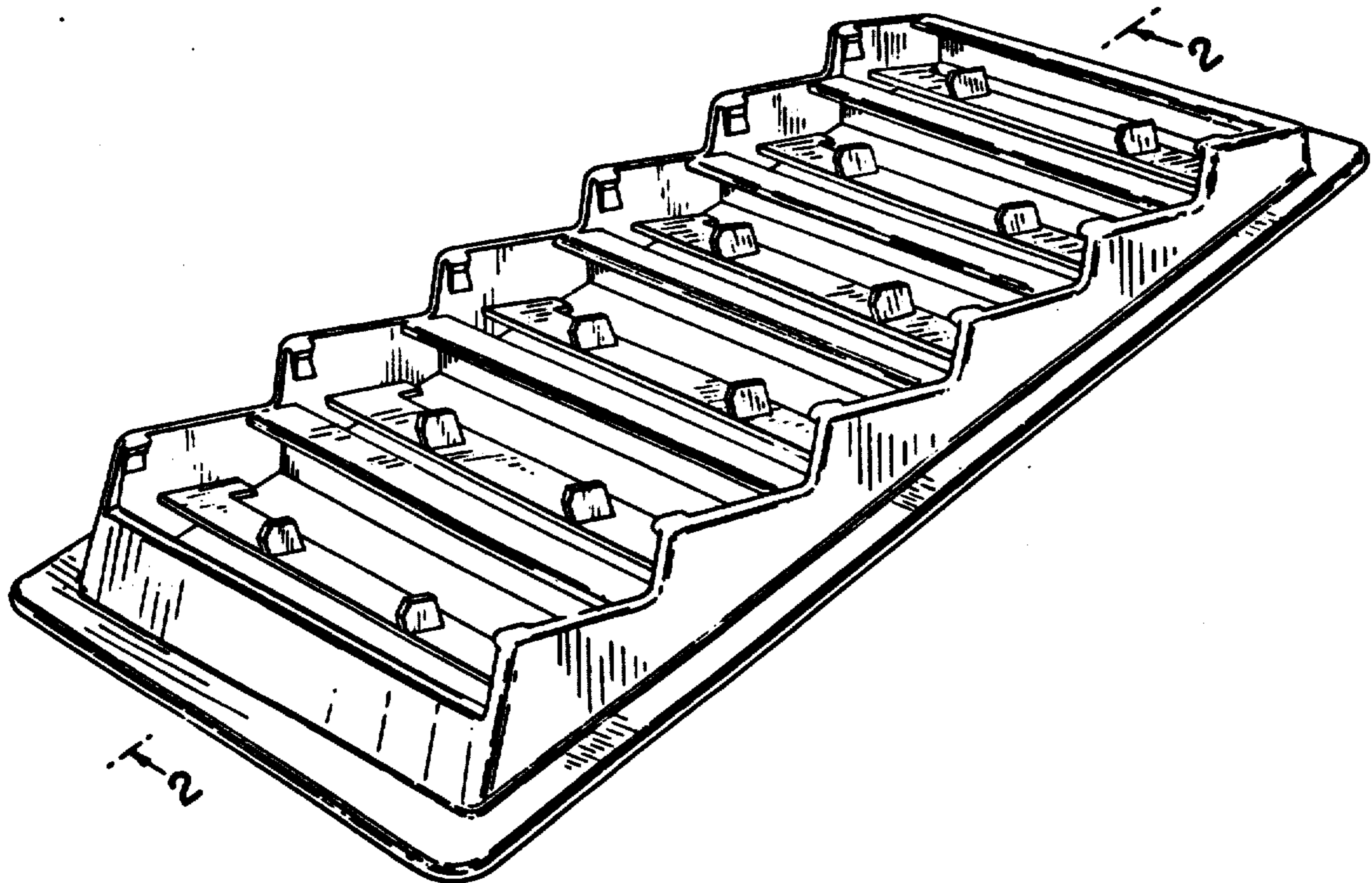
FIG. 4 is a rear elevational view thereof;

FIG. 5 is a top plan view;

FIG. 6 is a bottom plan view;

FIG. 7 is a left side elevational view; and

FIG. 8 is a right side elevational view.



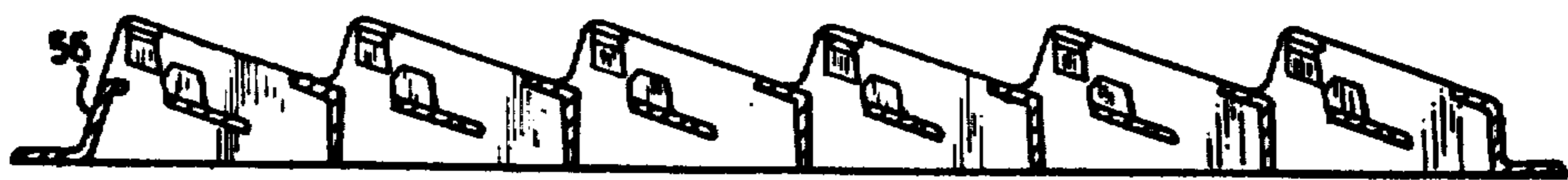
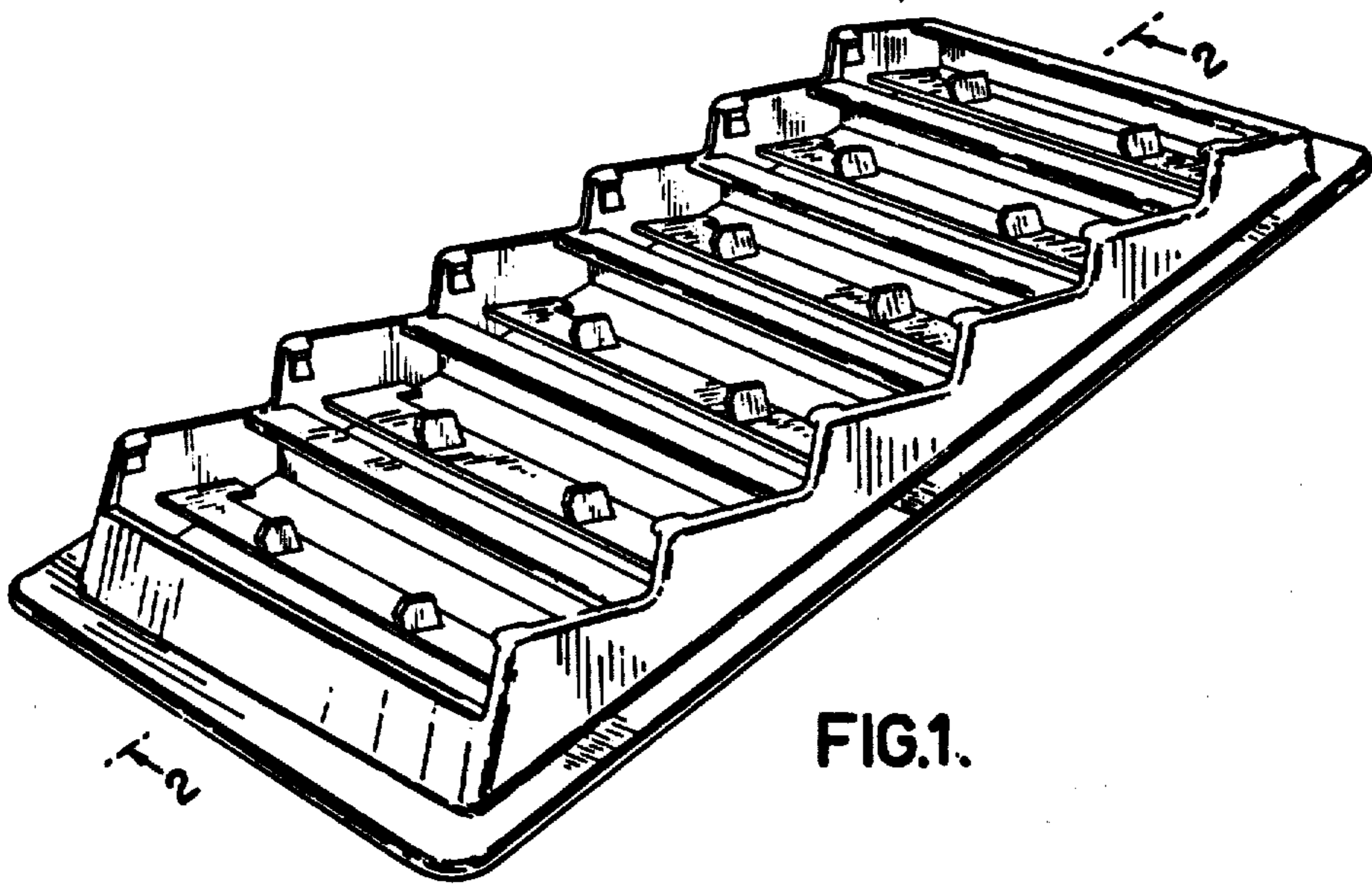




FIG. 3.



FIG. 4.

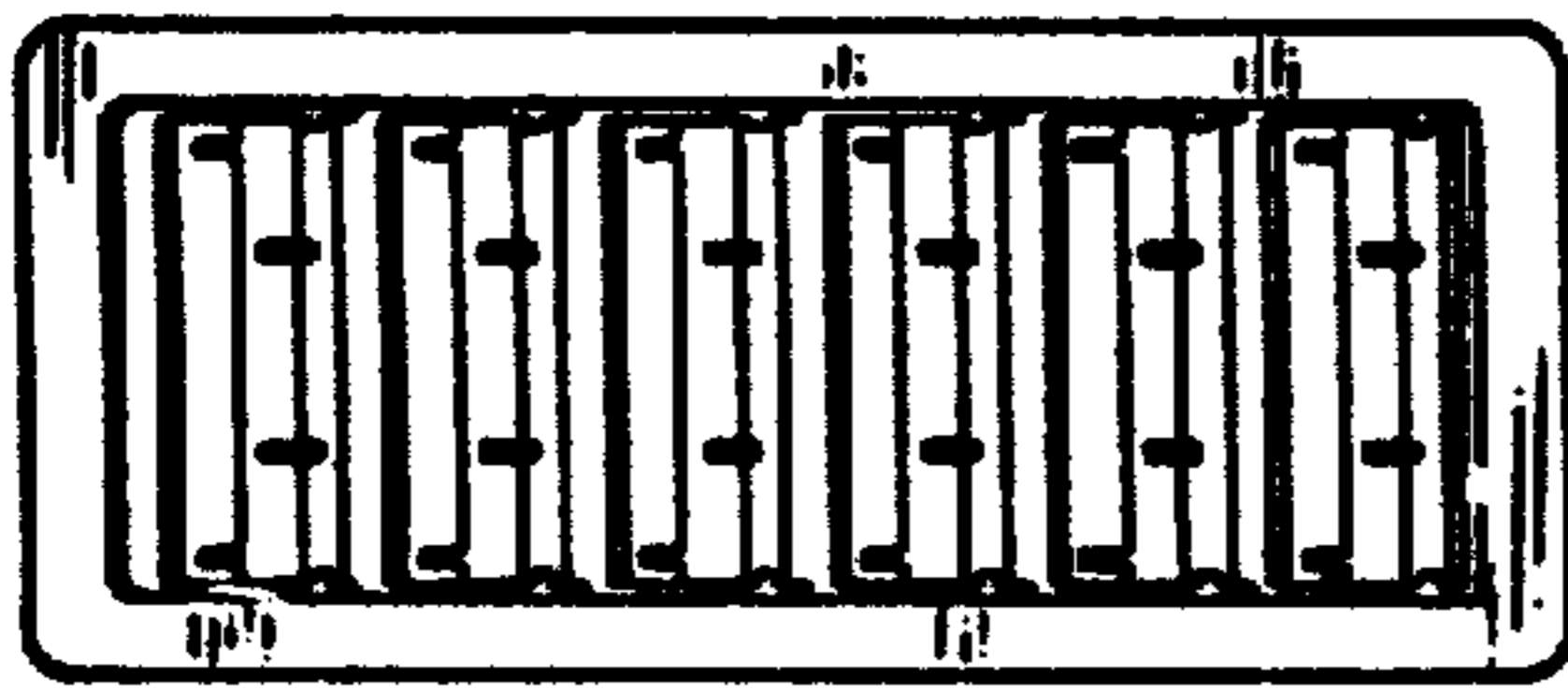


FIG. 5.

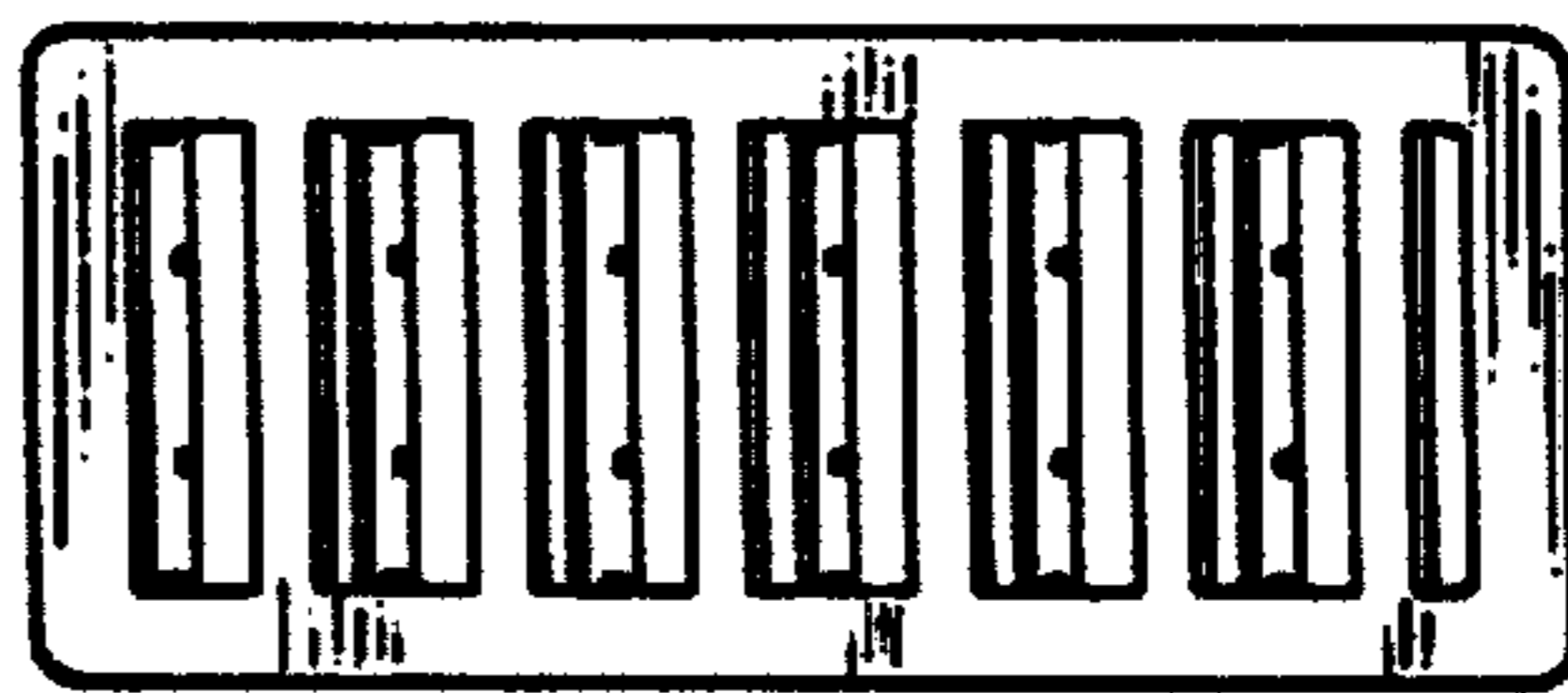


FIG. 6.



FIG. 7.



FIG. 8.