

[54] COMB SIMULATING A SPORTS CAP

[76] Inventor: John I. Horner, 914 Electric Ave., Venice, Calif. 90291

[\*\*] Term: 14 Years

[21] Appl. No.: 76,620

[22] Filed: Sep. 18, 1979

[51] Int. Cl. .... D28-03

[52] U.S. Cl. .... D28/22

[58] Field of Search .... D28/21-23, D28/25, 30-32, 34, 70; 132/11 R, 102, 122, 148-150, 158-161

[56] References Cited

U.S. PATENT DOCUMENTS

D. 29,404	9/1898	Tochtermann	.....	D28/23 X
D. 145,079	6/1947	Lux	.....	D28/30
D. 146,945	6/1946	Gumb	.....	D28/22
D. 197,544	2/1964	Fresco	.....	D28/30

FOREIGN PATENT DOCUMENTS

335170	1/1904	France	.....	D28/21
--------	--------	--------	-------	--------

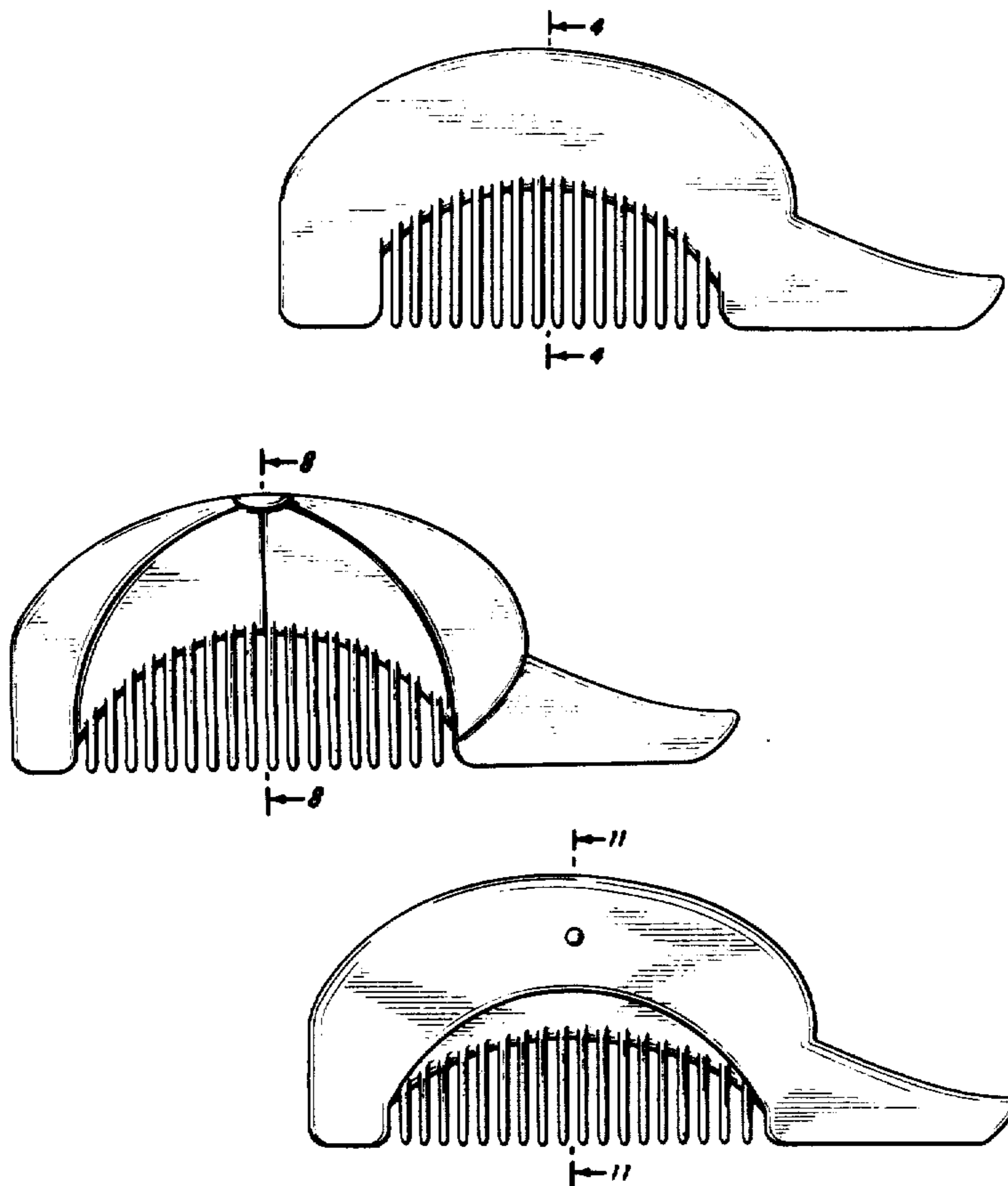
Primary Examiner—Louis S. Zarfes  
Attorney, Agent, or Firm—Mahoney & Schick

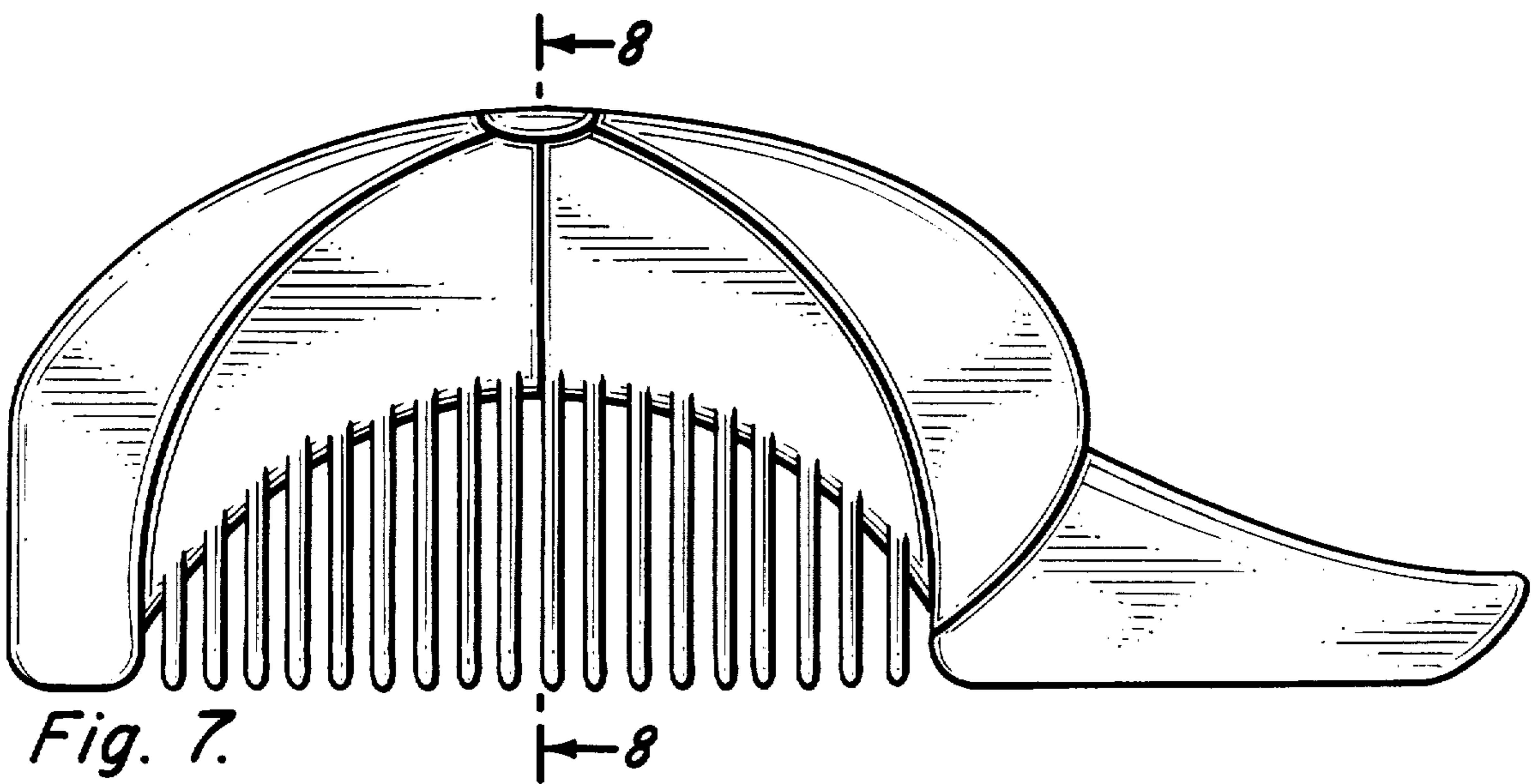
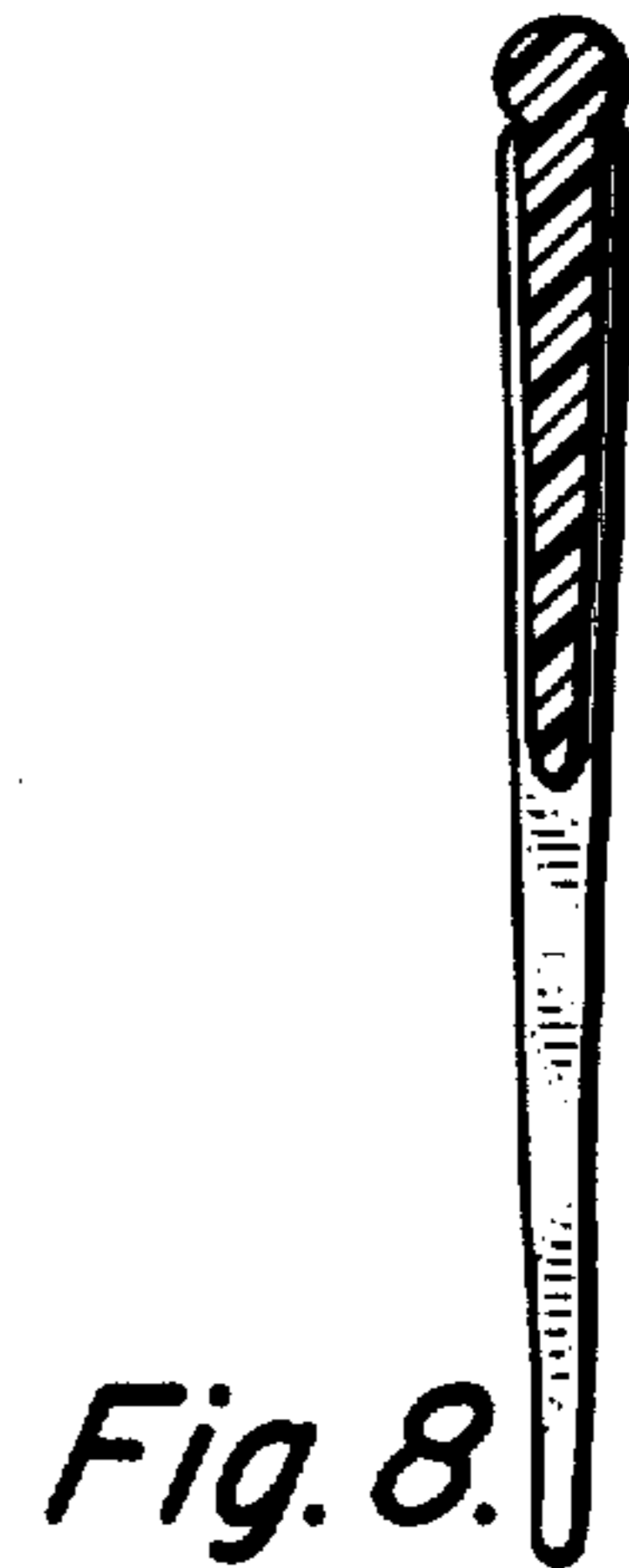
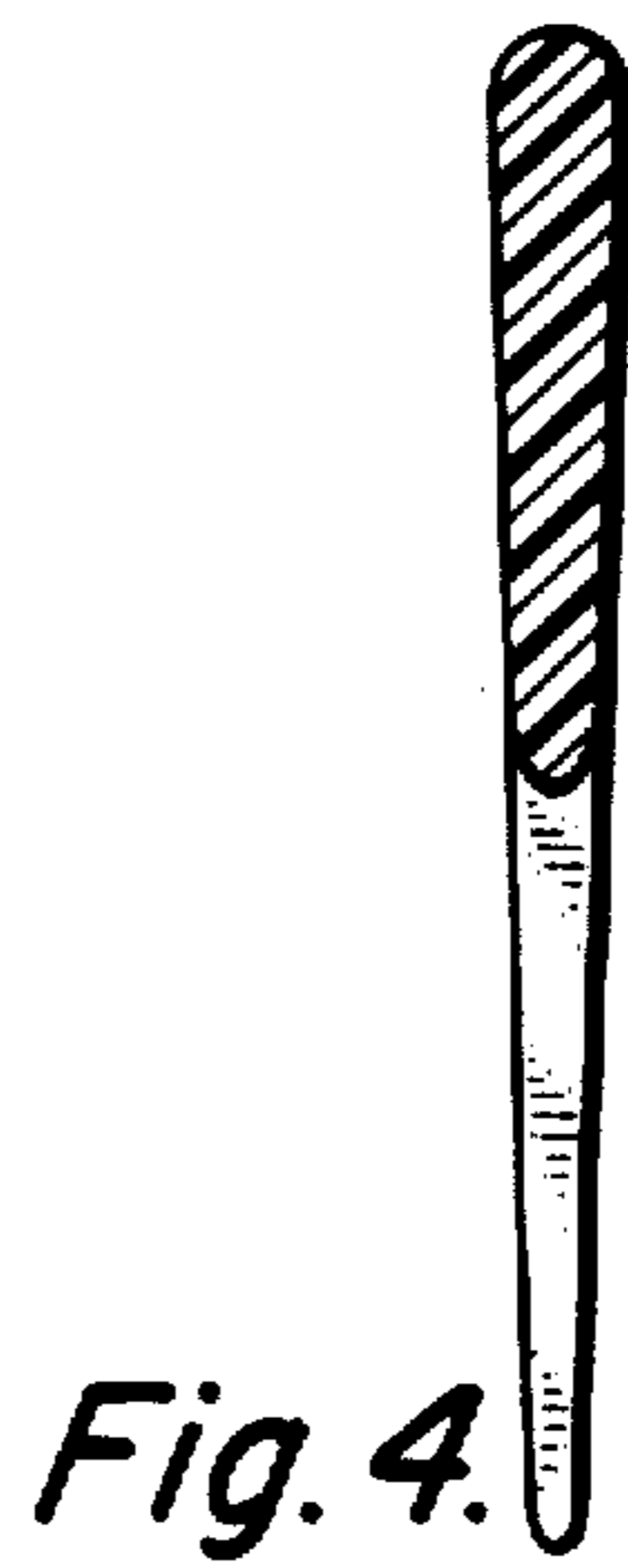
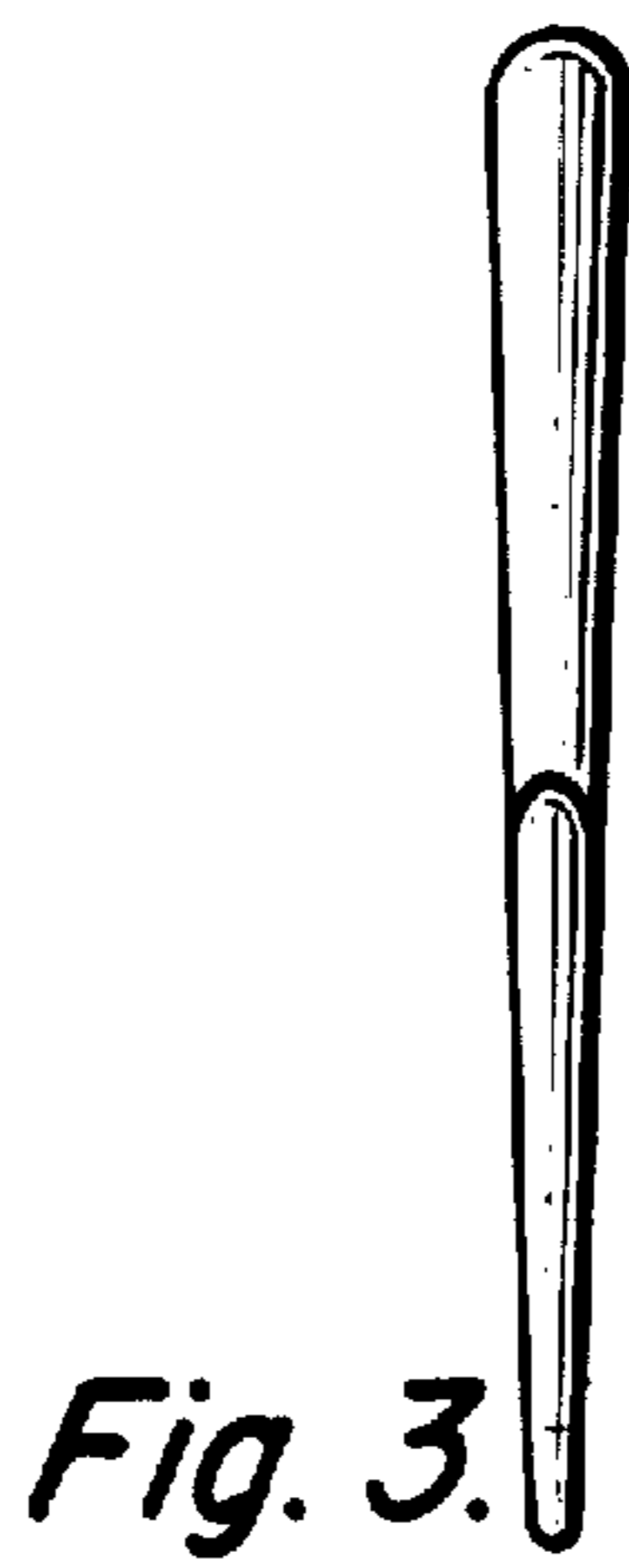
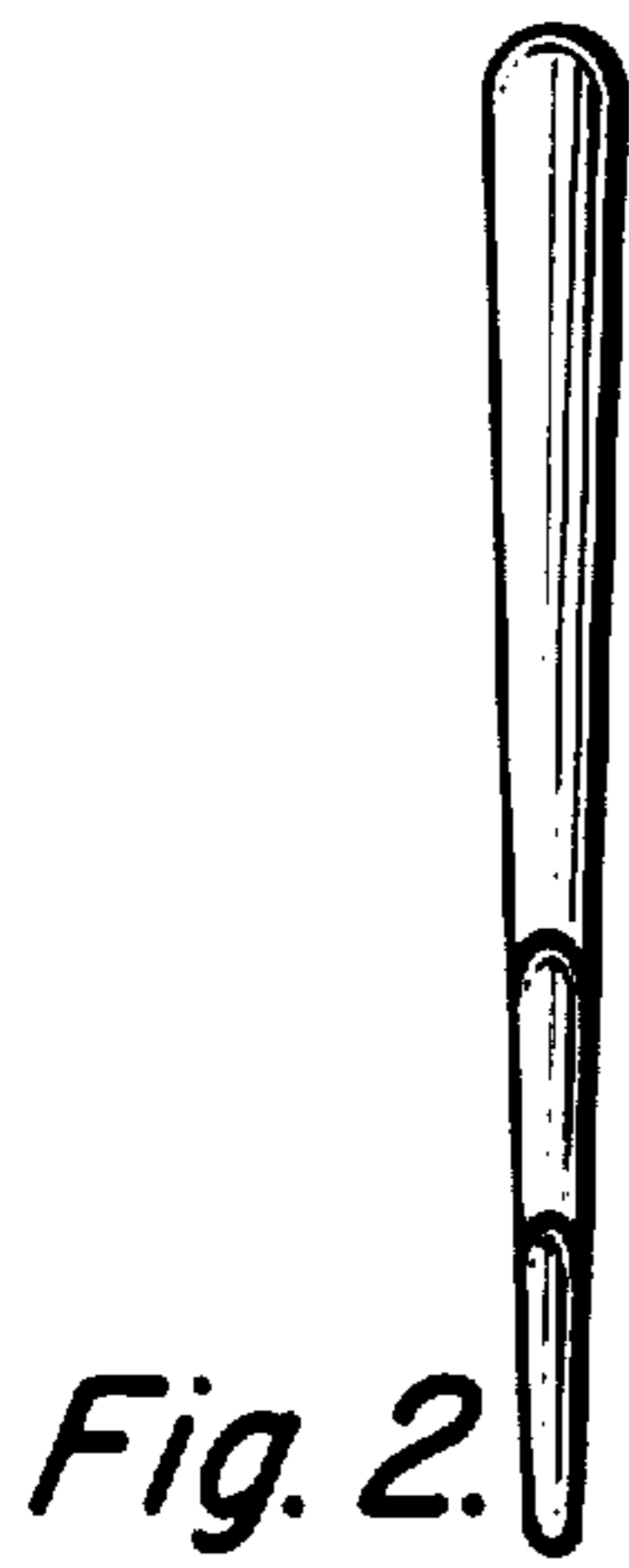
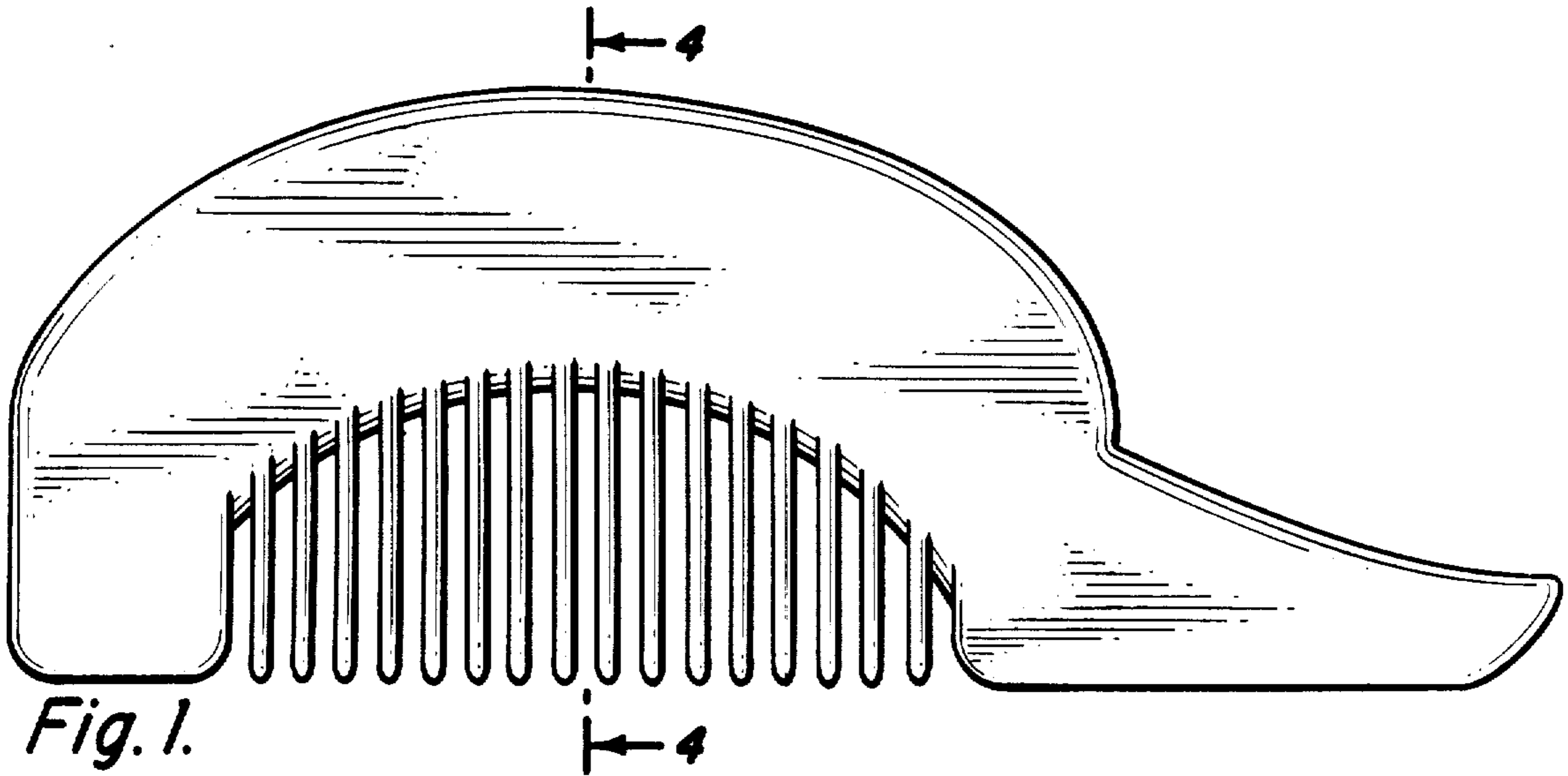
[57] CLAIM

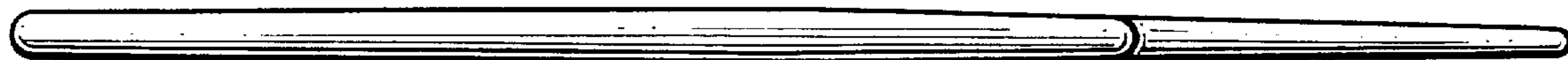
The ornamental design for a comb simulating a sports cap, as shown and described.

DESCRIPTION

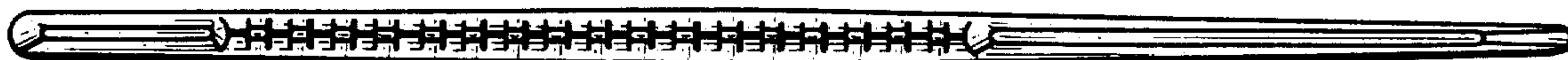
FIG. 1 is a front elevational view of a comb simulating a sports cap showing one embodiment of my new design;  
 FIG. 2 is a right side elevational view thereof;  
 FIG. 3 is a left side elevational view thereof;  
 FIG. 4 is a vertical sectional view thereof looking in the direction of the arrows 4—4 in FIG. 1;  
 FIG. 5 is a top plan view thereof;  
 FIG. 6 is a bottom plan view thereof;  
 FIG. 7 is a front elevational view of a comb simulating a sports cap showing another embodiment of my new design;  
 FIG. 8 is a vertical sectional view looking in the direction of the arrows 8—8 in FIG. 7;  
 FIG. 9 is a front elevational view of a comb simulating a sports cap showing still another embodiment of my new design;  
 FIG. 10 is a top plan view thereof; and  
 FIG. 11 is a vertical sectional view looking in the direction of the arrows 11—11 in FIG. 9.  
 The rear of each embodiment is a mirror image of the front.



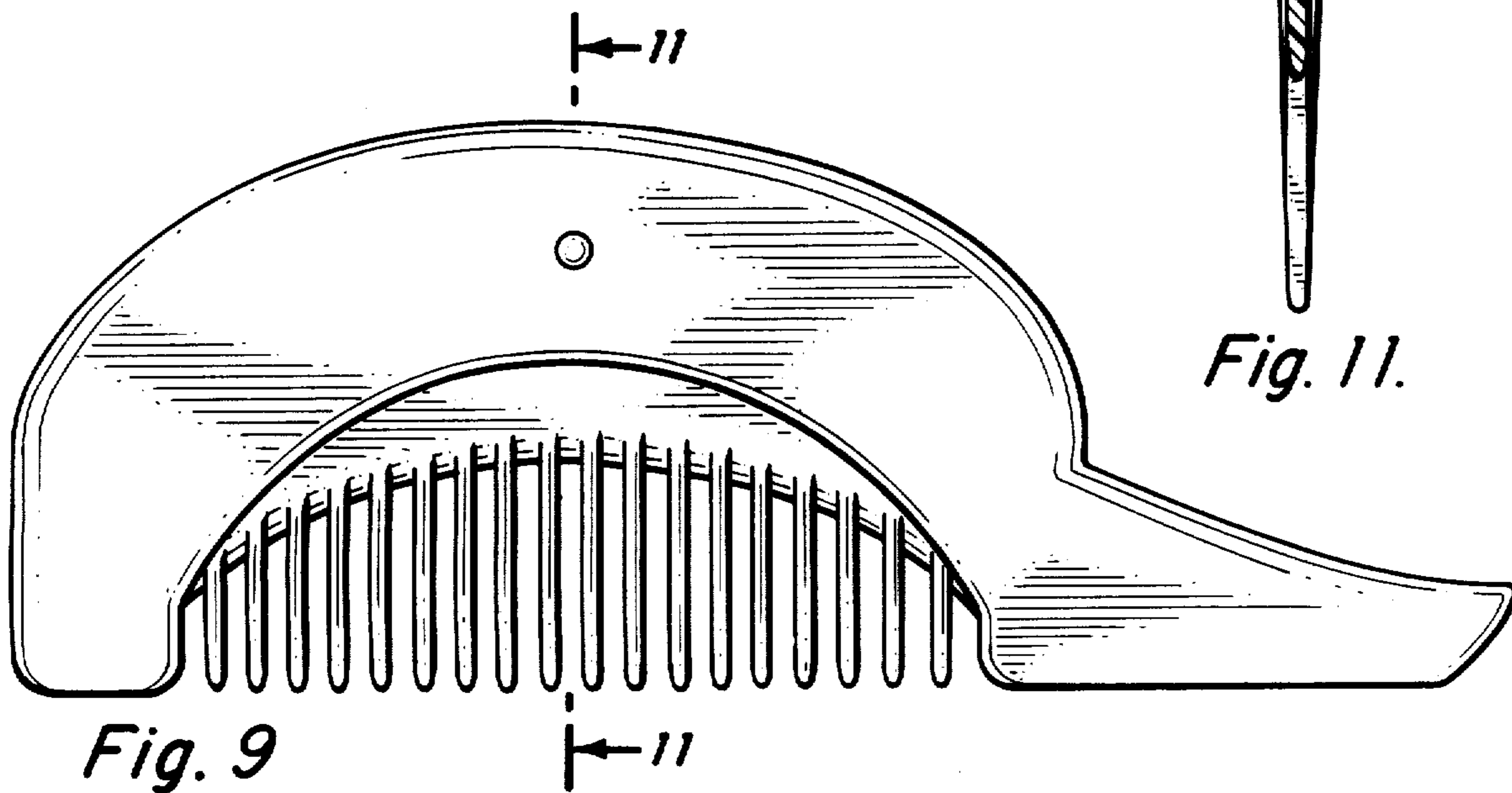




*Fig. 5.*



*Fig. 6.*



*Fig. 9*



*Fig. 11.*



*Fig. 10.*