

[54] **BABY SOOTHER**
 [75] Inventor: **Eric K. Hurst**, London, England
 [73] Assignee: **Lewis Woolf Griptight Limited**,
 Birmingham, England
 [**] Term: **14 Years**
 [21] Appl. No.: **929,975**
 [22] Filed: **Aug. 1, 1978**
 [51] Int. Cl. **D24-04**
 [52] U.S. Cl. **D24/46; D24/45**
 [58] Field of Search **D24/45, 46; 128/252,**
128/359, 360

[56] **References Cited**
U.S. PATENT DOCUMENTS
 D. 219,631 12/1970 Bartels et al. D24/46

D. 237,554 11/1975 Hurst D24/46
 D. 245,335 8/1977 Meeker D24/45

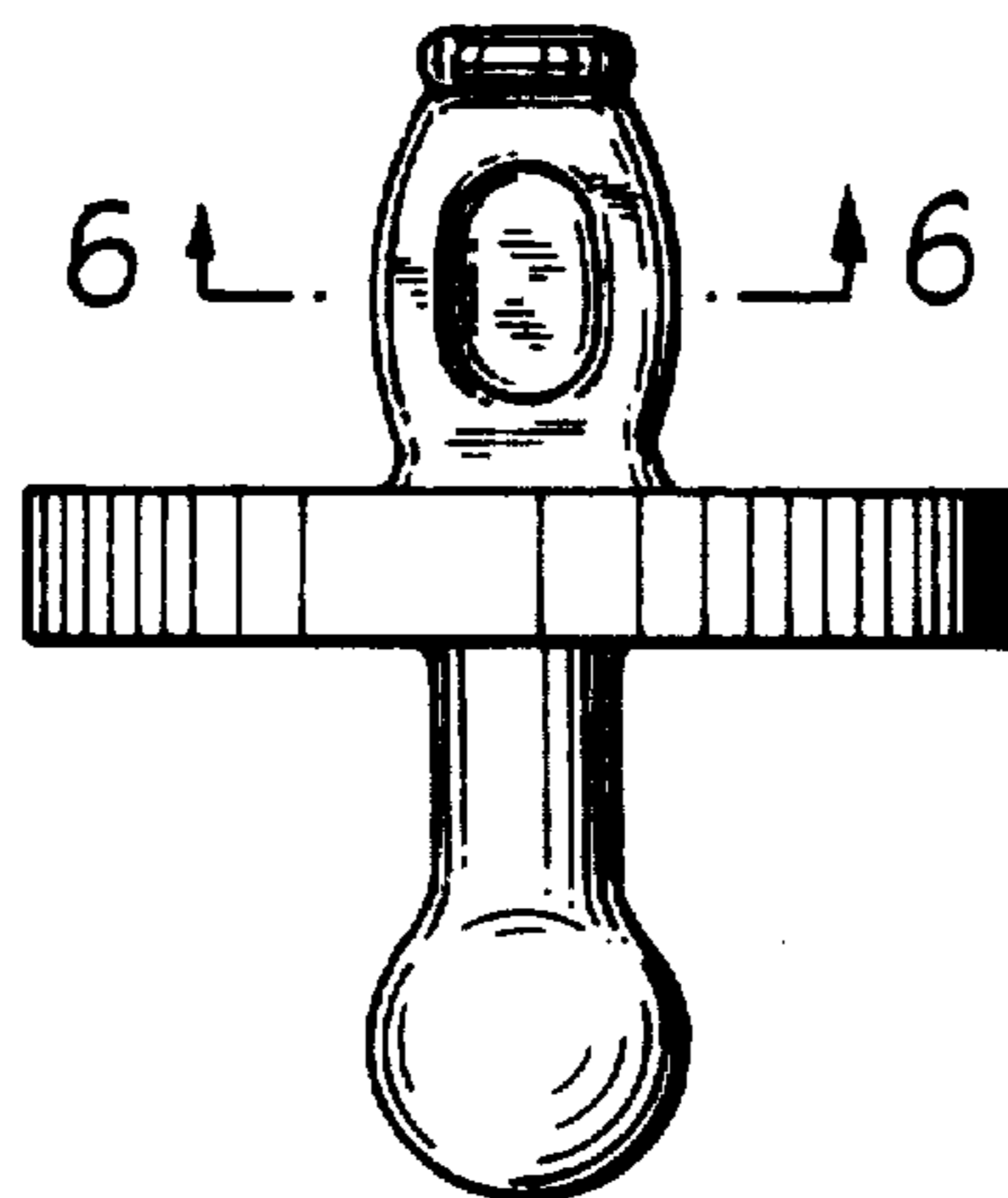
Primary Examiner—Sam Rosen
Attorney, Agent, or Firm—Holman & Stern

[57] **CLAIM**

The ornamental design for a baby soother, as shown and described.

DESCRIPTION

FIG. 1 is a side elevational view of the baby soother showing my new design;
 FIG. 2 is a right side elevational view thereof;
 FIG. 3 is a top plan view thereof;
 FIG. 4 is a bottom plan view thereof;
 FIG. 5 is a sectional view on the line 5—5 of FIG. 3;
 FIG. 6 is a sectional view on the line 6—6 of FIG. 1.
 The opposite sides of FIGS. 1 and 2 are mirror images of the sides shown.



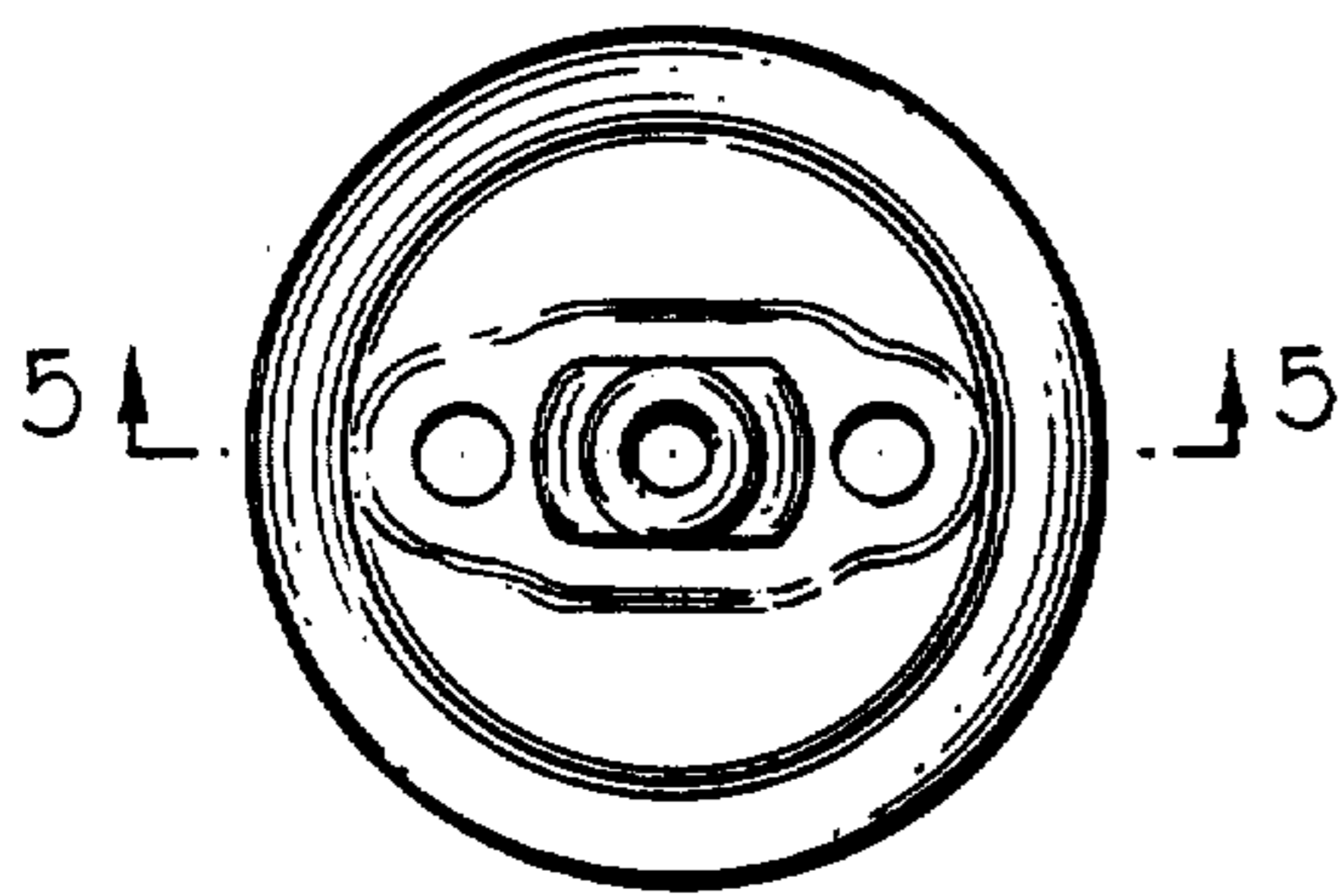


FIG. 3.

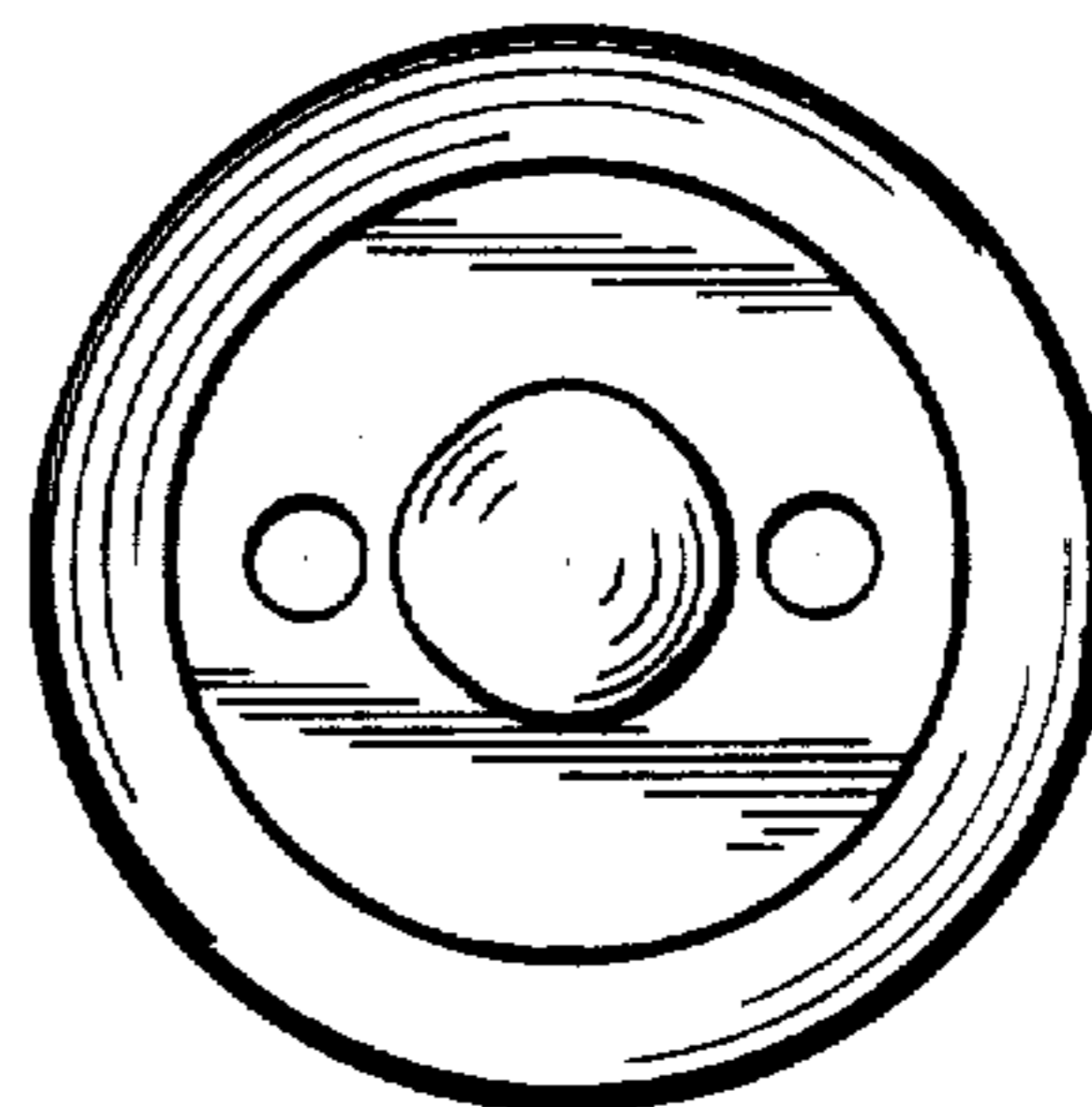


FIG. 4.

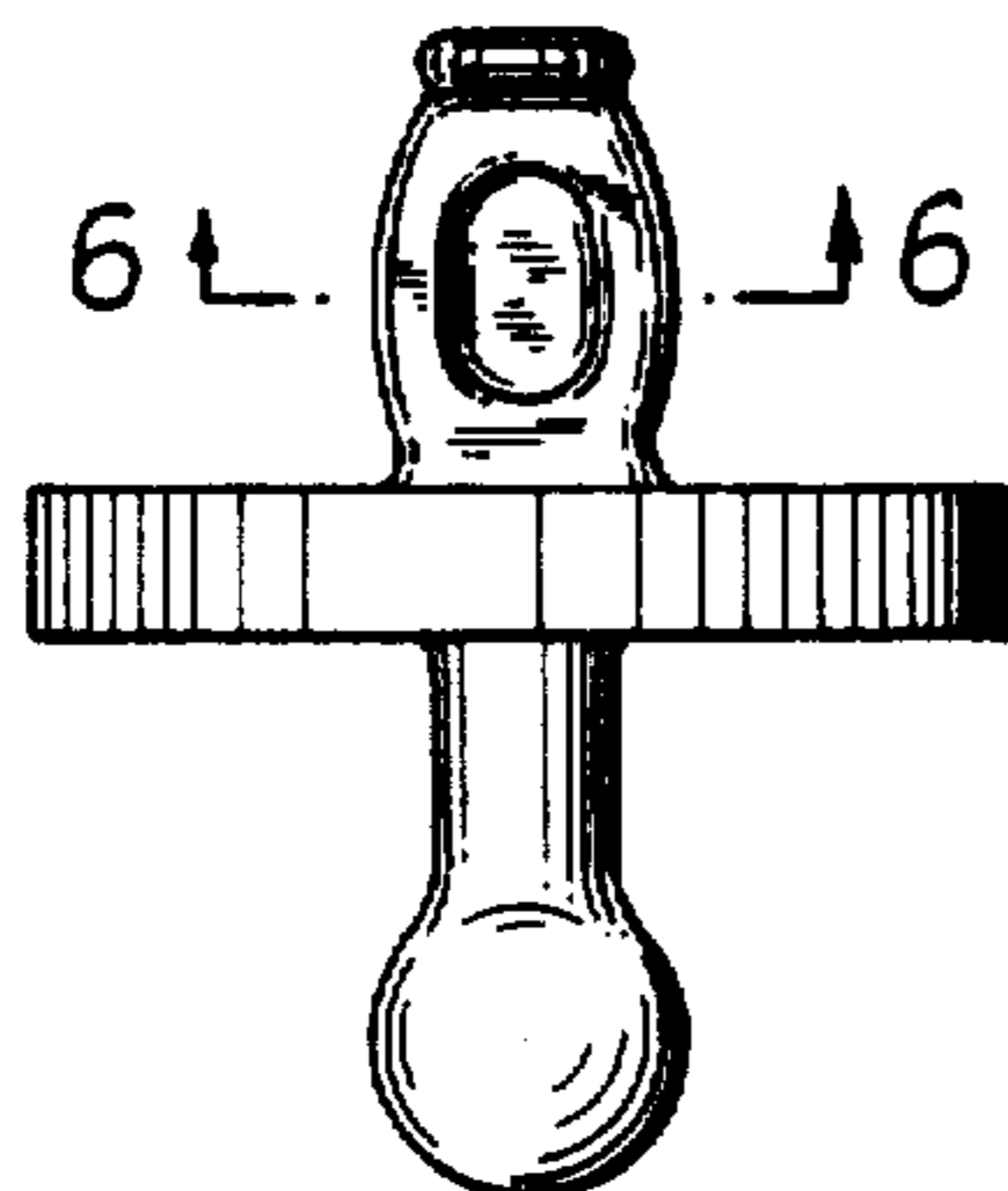


FIG. 1.

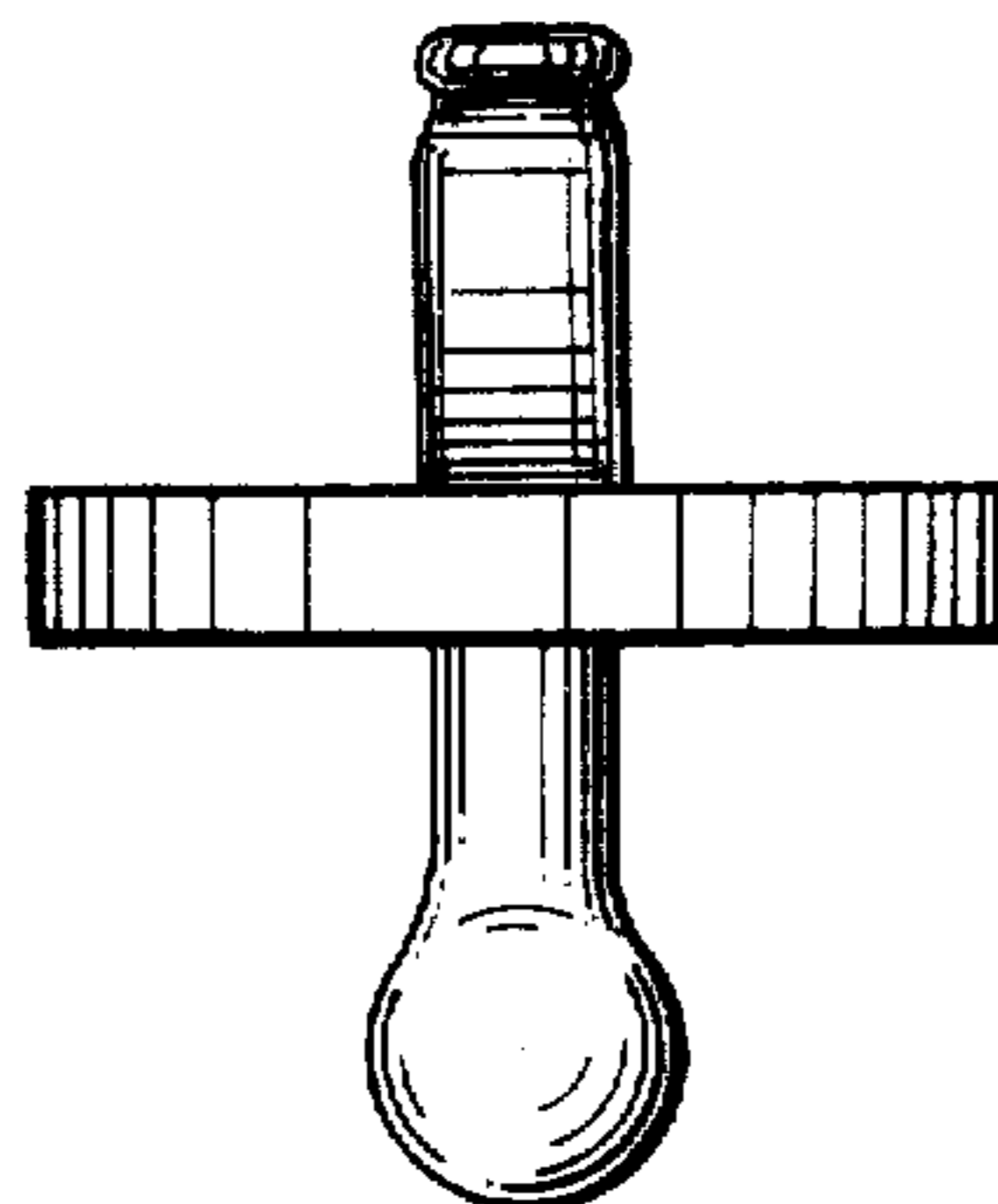


FIG. 2.

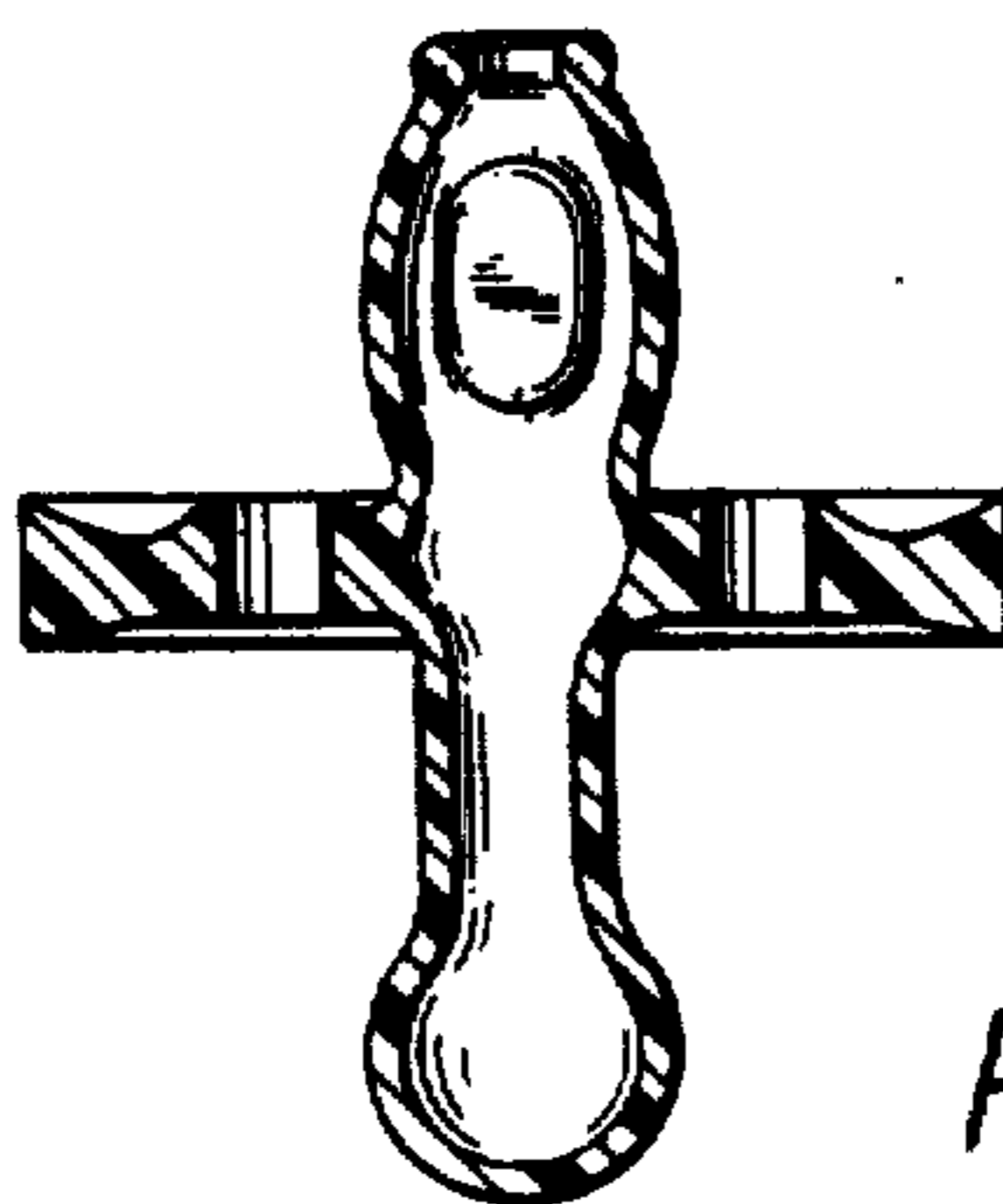


FIG. 5.



FIG. 6.