

- [54] **CUVETTE ARRAY OR THE LIKE**
- [75] **Inventor:** Nicholas M. G. Fekete, Richardson, Tex.
- [73] **Assignee:** Abbott Laboratories, North Chicago, Ill.
- [**] **Term:** 14 Years
- [21] **Appl. No.:** 20,551
- [22] **Filed:** Mar. 15, 1979
- [51] **Int. Cl.** D24—02
- [52] **U.S. Cl.** D24/29; D24/31
- [58] **Field of Search** D24/29, 31, 8, 21; 356/246; 422/72, 73, 61

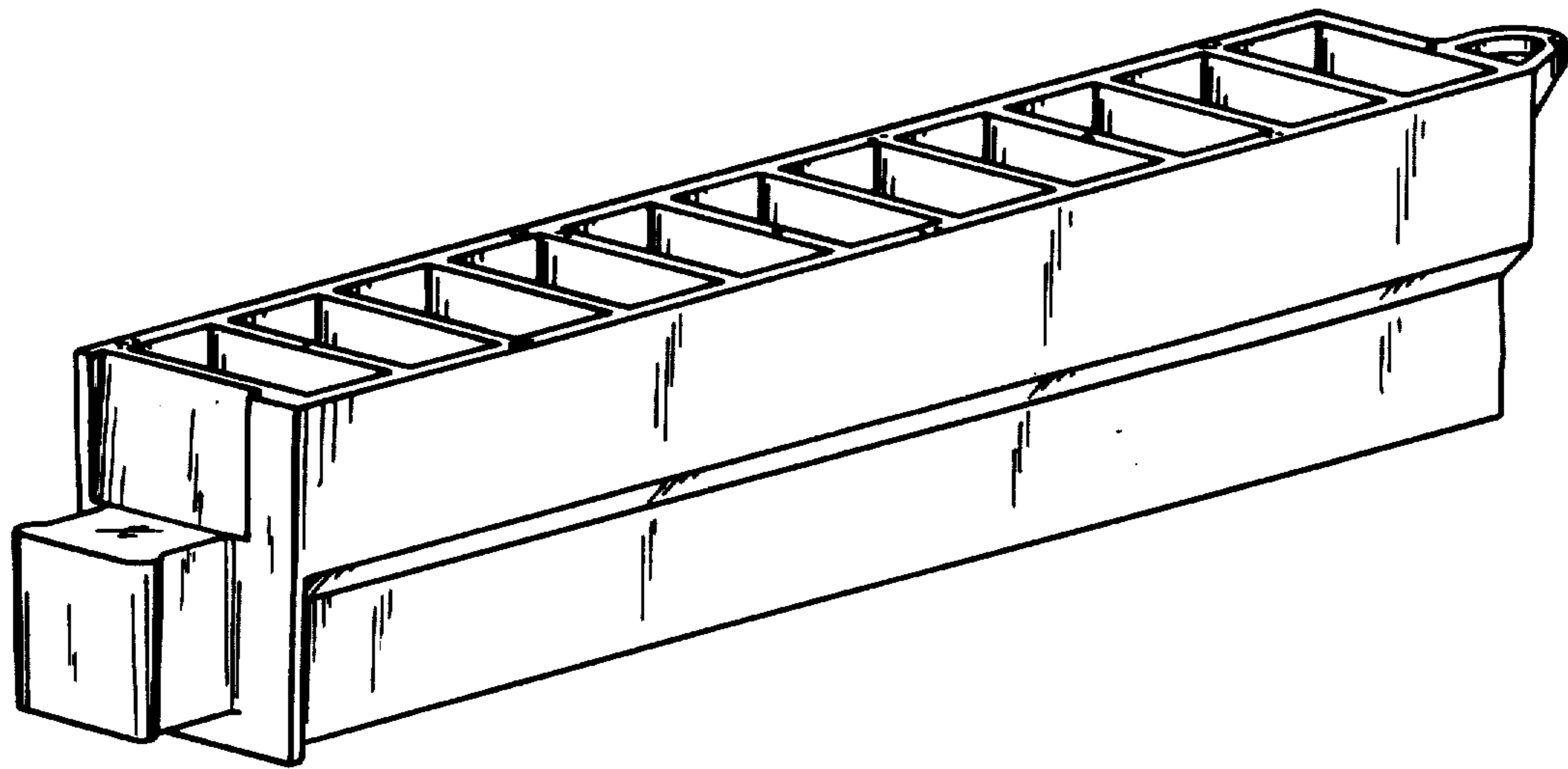
[56] **References Cited**
U.S. PATENT DOCUMENTS

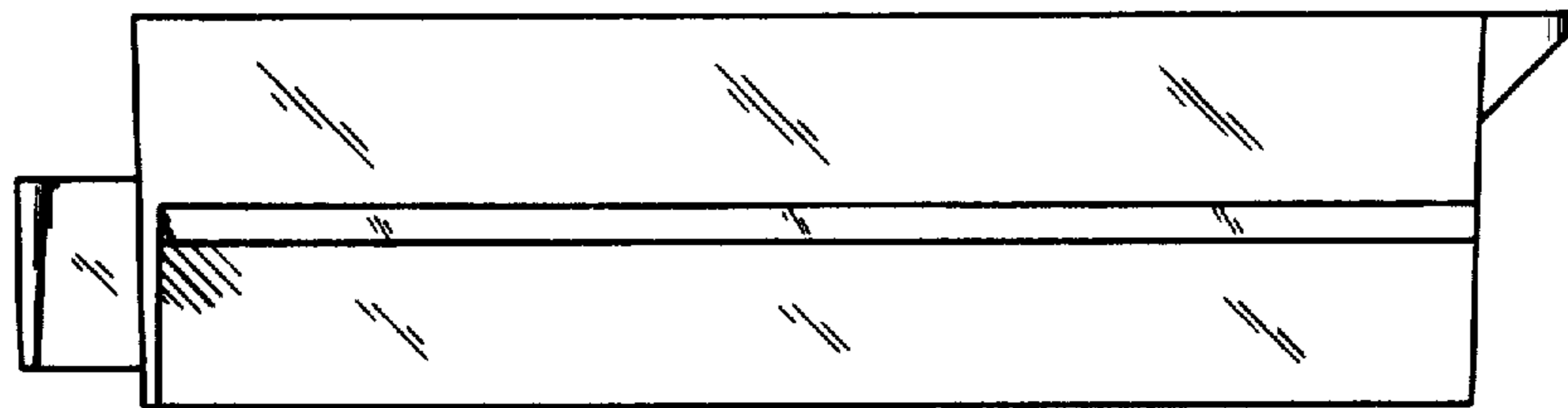
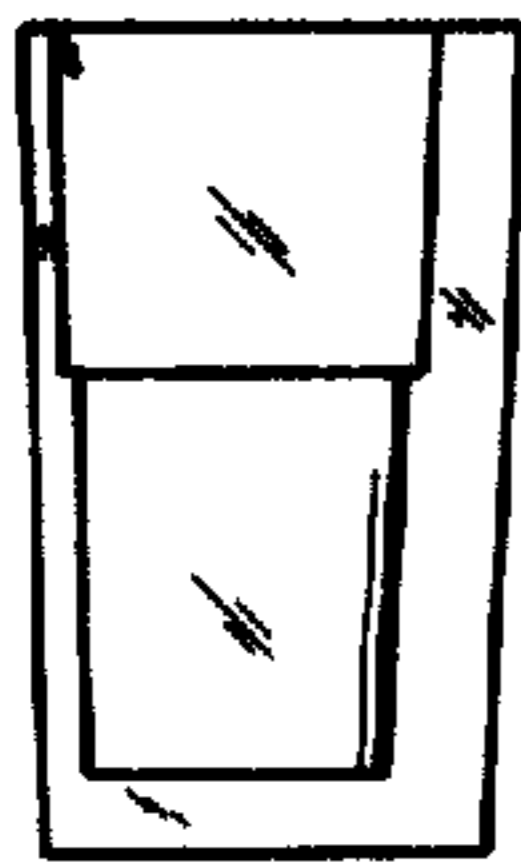
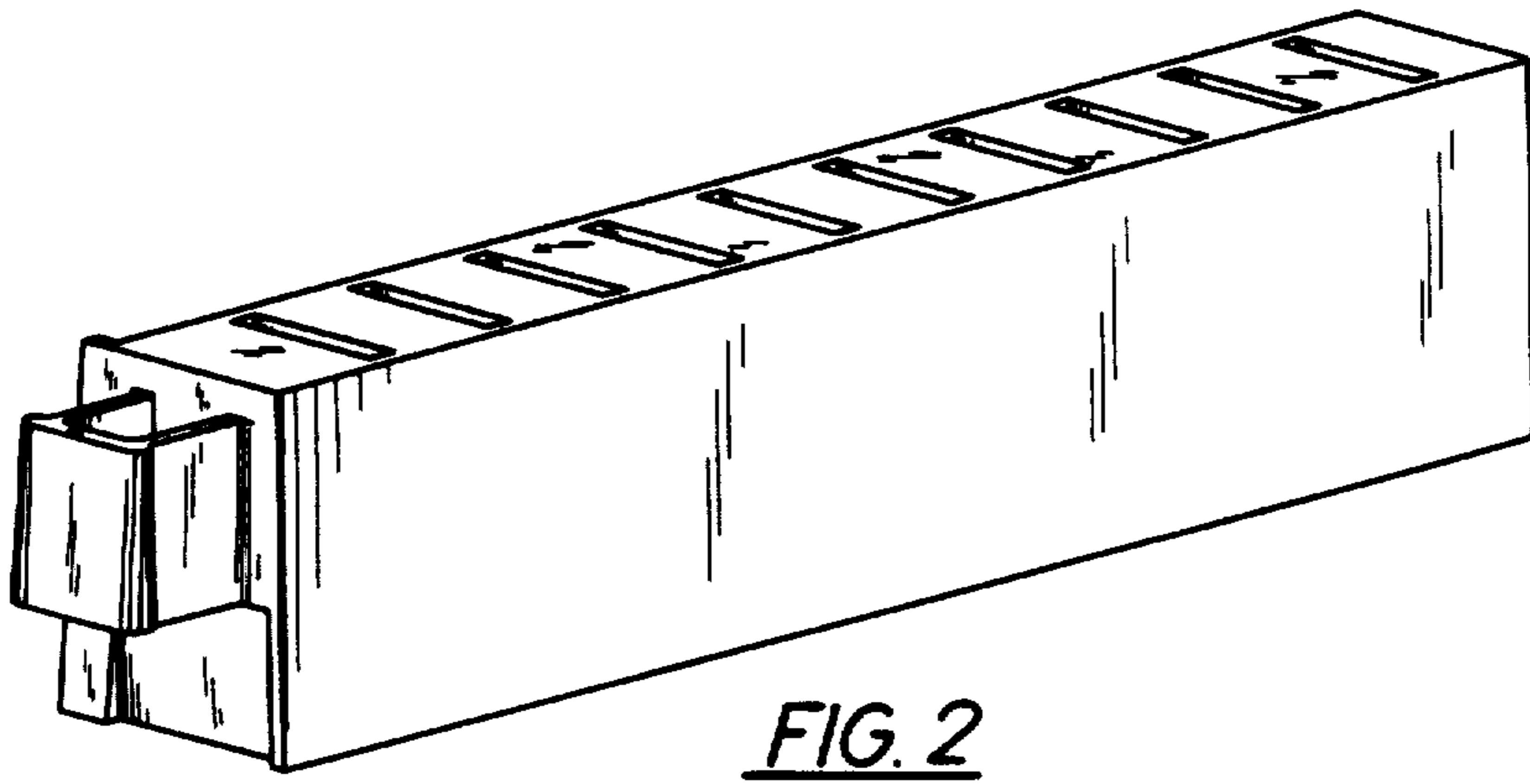
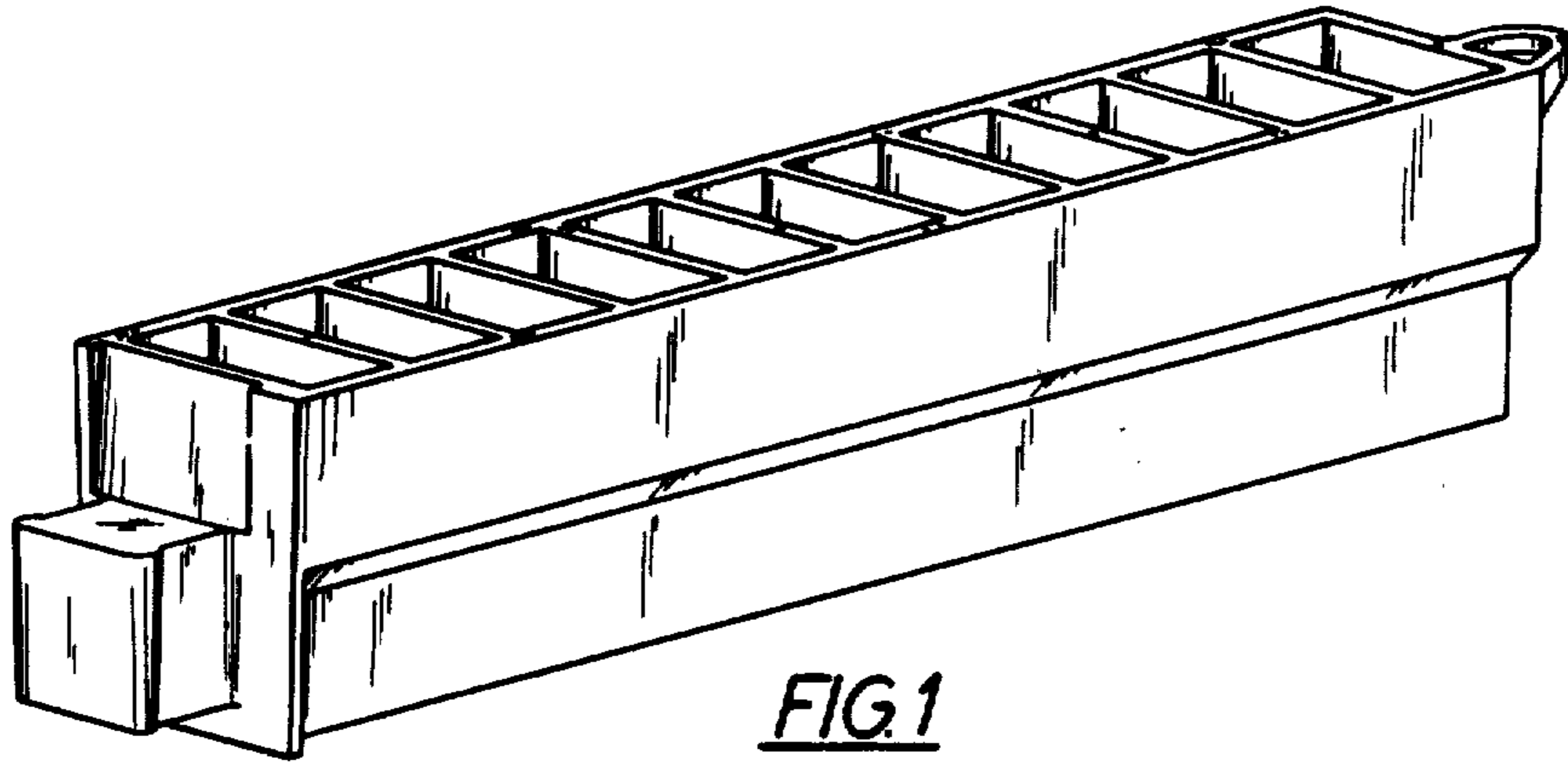
D. 257,175	9/1980	Terk	D24/29
4,013,368	3/1977	Acker et al.	356/246
4,178,345	12/1979	Terk	356/246 X

4,195,060 3/1980 Terk 356/246 X
Primary Examiner—Bernard Ansher
Attorney, Agent, or Firm—John J. McDonnell

[57] **CLAIM**
The ornamental design for a cuvette array or the like, substantially as shown and described.

DESCRIPTION
FIG. 1 is a perspective view from the top front of the cuvette array;
FIG. 2 is a perspective view from the bottom rear of the cuvette array;
FIG. 3 is a front elevation view thereof;
FIG. 4 is an end elevation view thereof;
FIG. 5 is a right end elevation view thereof;
FIG. 6 is a rear elevation view thereof;
FIG. 7 is a bottom plan view thereof;
FIG. 8 is a top plan view thereof; and
FIG. 9 is a cross-sectional elevation view through section 9,9 in FIG. 8.





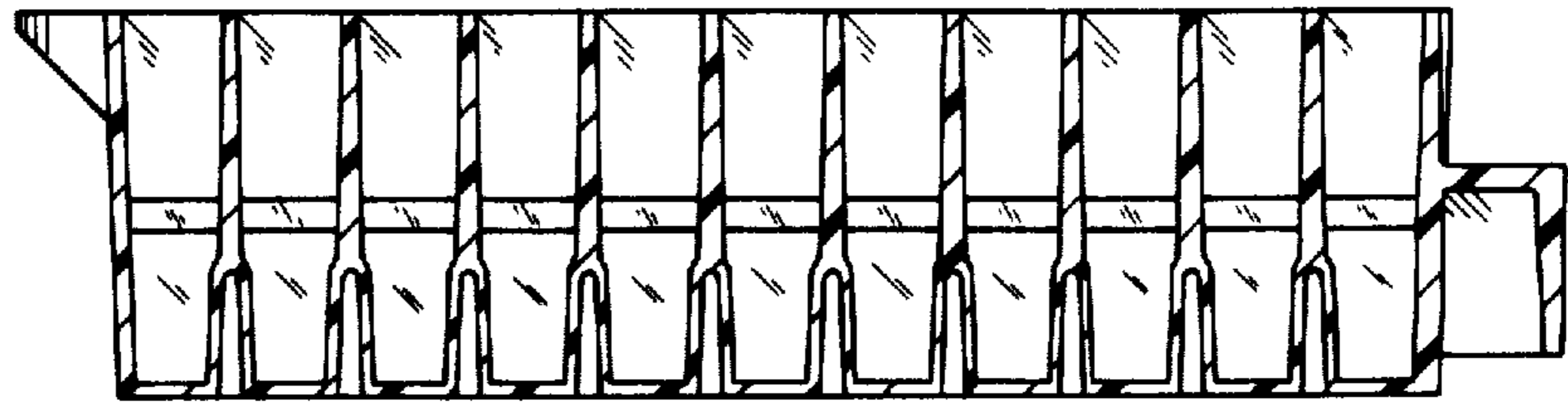


FIG. 9

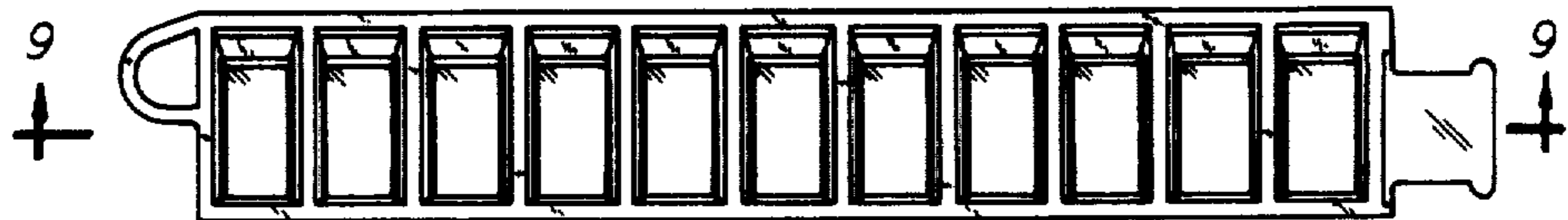


FIG. 8

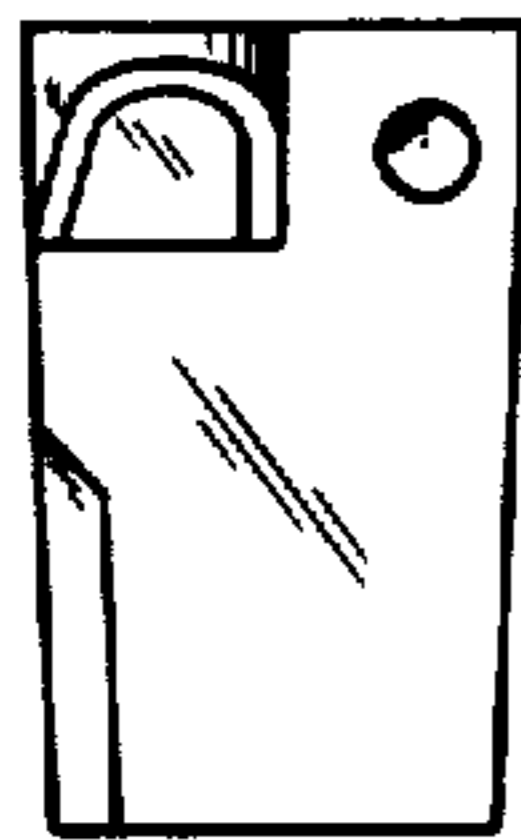


FIG. 5

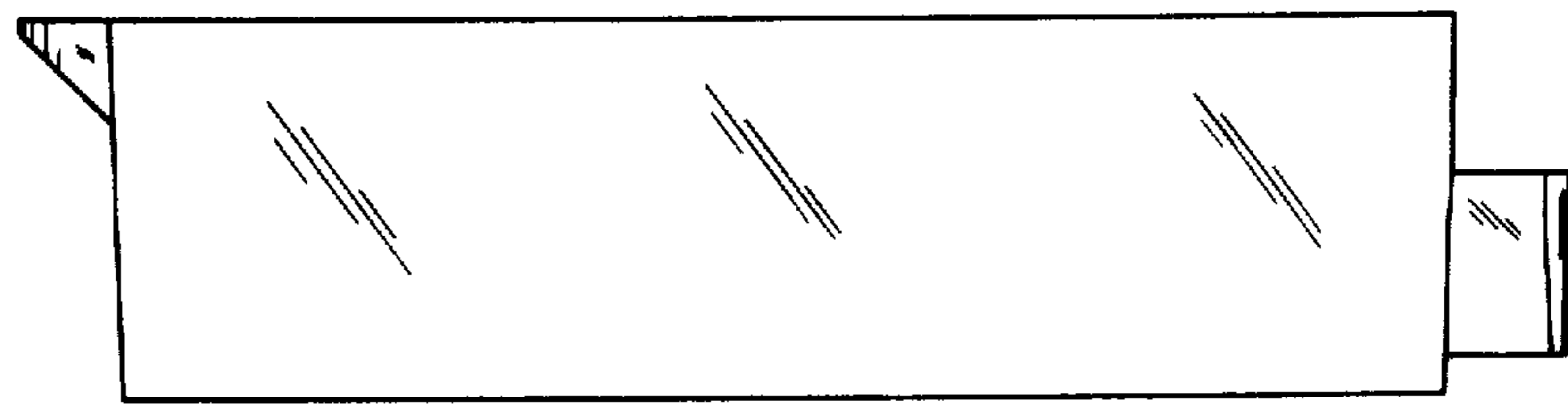


FIG. 6

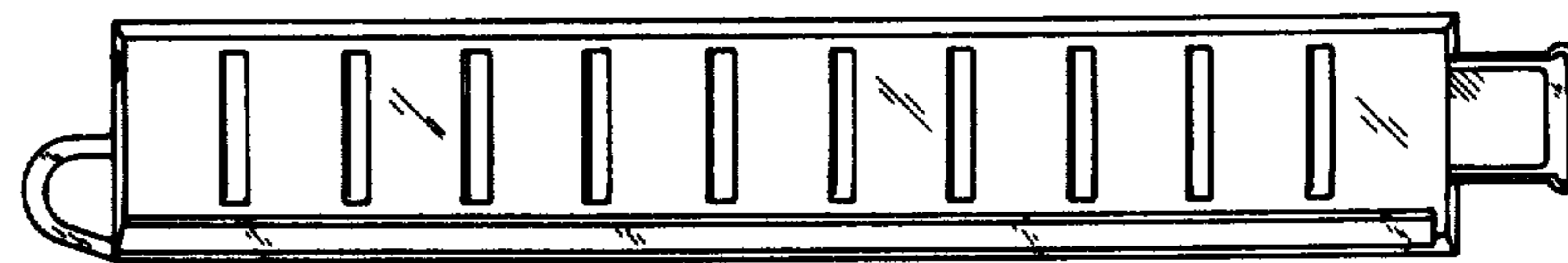


FIG. 7