

[54] OVERPRESSURE DEVICE

[75] Inventors: Lee E. McGill, Orinda; Susan J. Watkins, Berkeley, both of Calif.

[73] Assignee: Cutter Laboratories, Inc., Berkeley, Calif.

[**] Term: 14 Years

[21] Appl. No.: 23,926

[22] Filed: Mar. 26, 1979

[51] Int. Cl. D24-01; D24-02

[52] U.S. Cl. D24/8; D24/17

[58] Field of Search 128/214 E, 214 R, DIG. 1, 128/214 F; D24/8, 17, 99; 222/249; 73/239, 240

[56] References Cited

U.S. PATENT DOCUMENTS

- D. 235,926 7/1975 Olson
- D. 236,163 7/1975 Manno

- 4,043,332 8/1977 Metcalf
- 4,095,658 6/1978 Kendall et al.
- 4,135,509 1/1979 Shannon

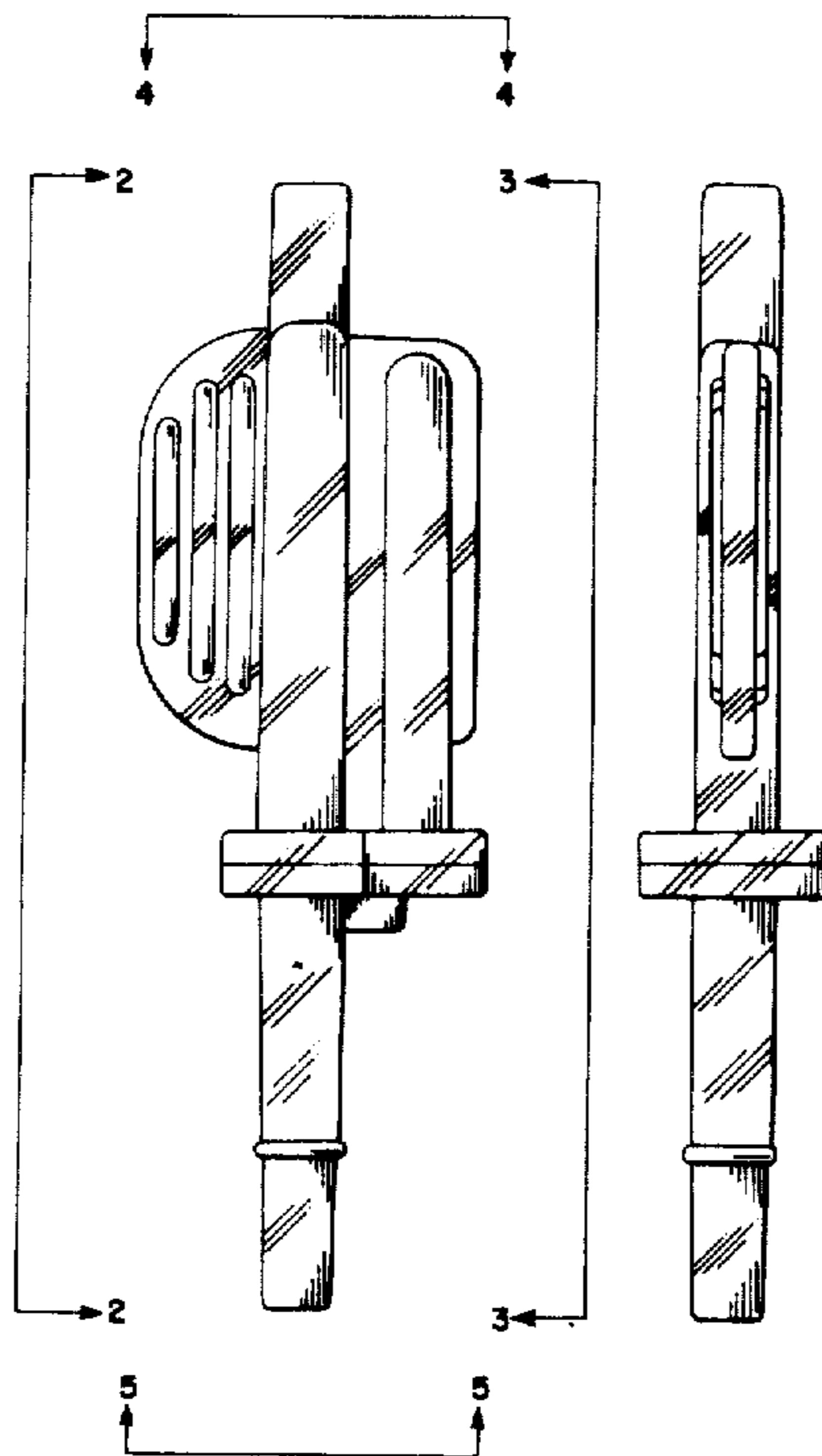
Primary Examiner—Bernard Ansher
 Attorney, Agent, or Firm—Robert E. Allen; Bertram Bradley; James A. Giblin

[57] CLAIM

The ornamental design for an overpressure device, substantially as shown and described.

DESCRIPTION

FIG. 1 is a side elevational view of an overpressure device showing our new design;
 FIG. 2 is a front elevational view taken along line 2—2 of FIG. 1;
 FIG. 3 is a rear elevational view taken along line 3—3 of FIG. 1;
 FIG. 4 is a top plan view taken along line 4—4 of FIG. 1; and
 FIG. 5 is a bottom plan view taken along line 5—5 of FIG. 1.



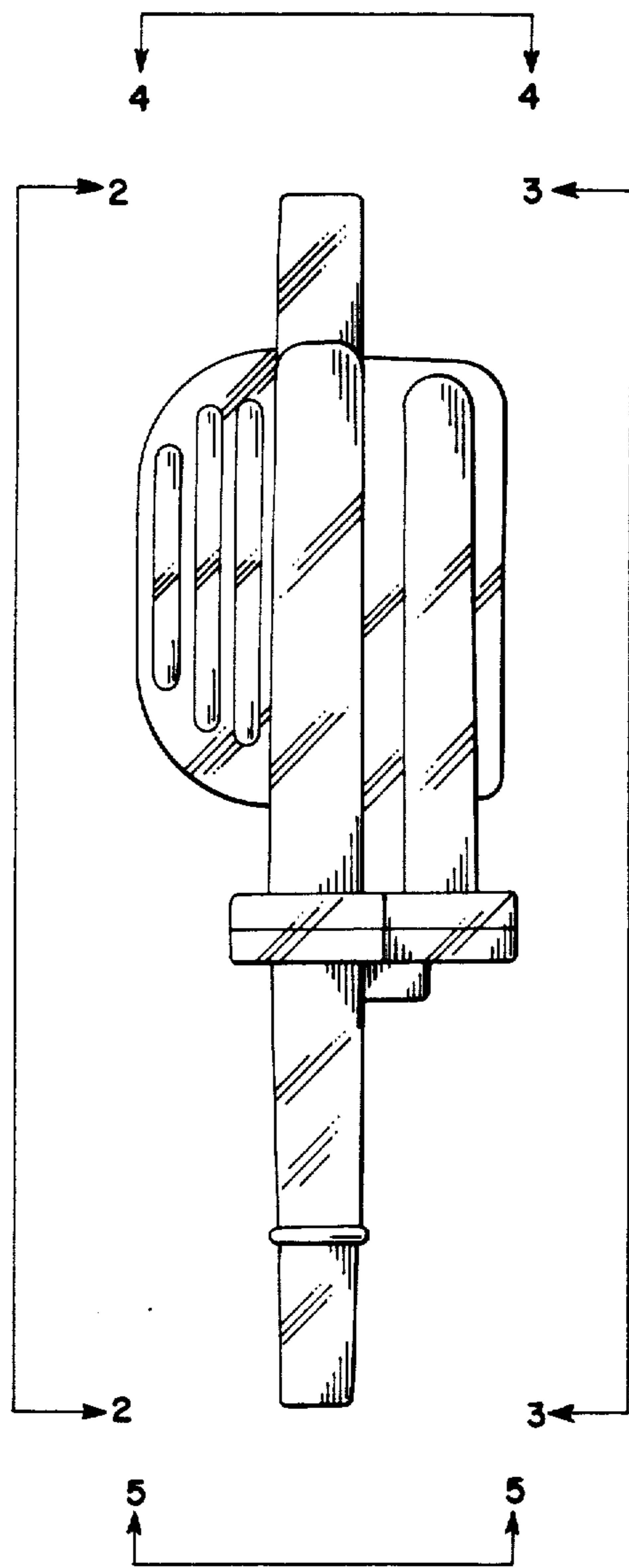


FIG. 1

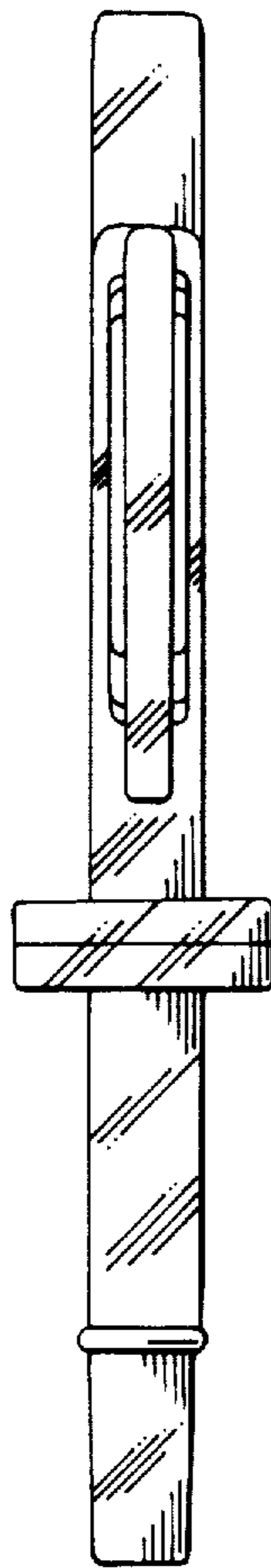


FIG. 2

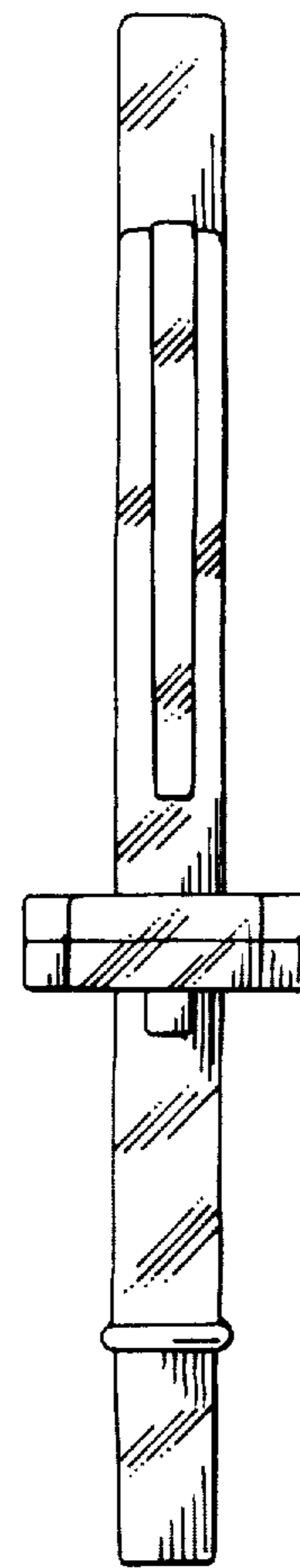


FIG. 3

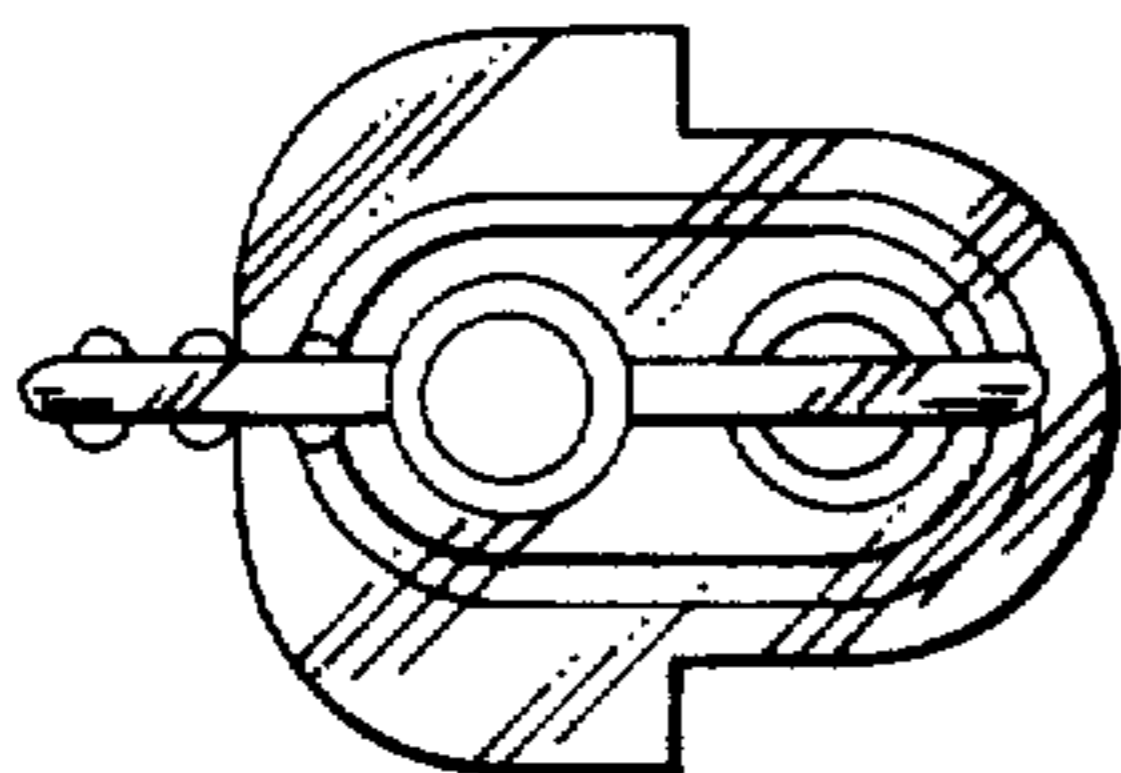


FIG. 4

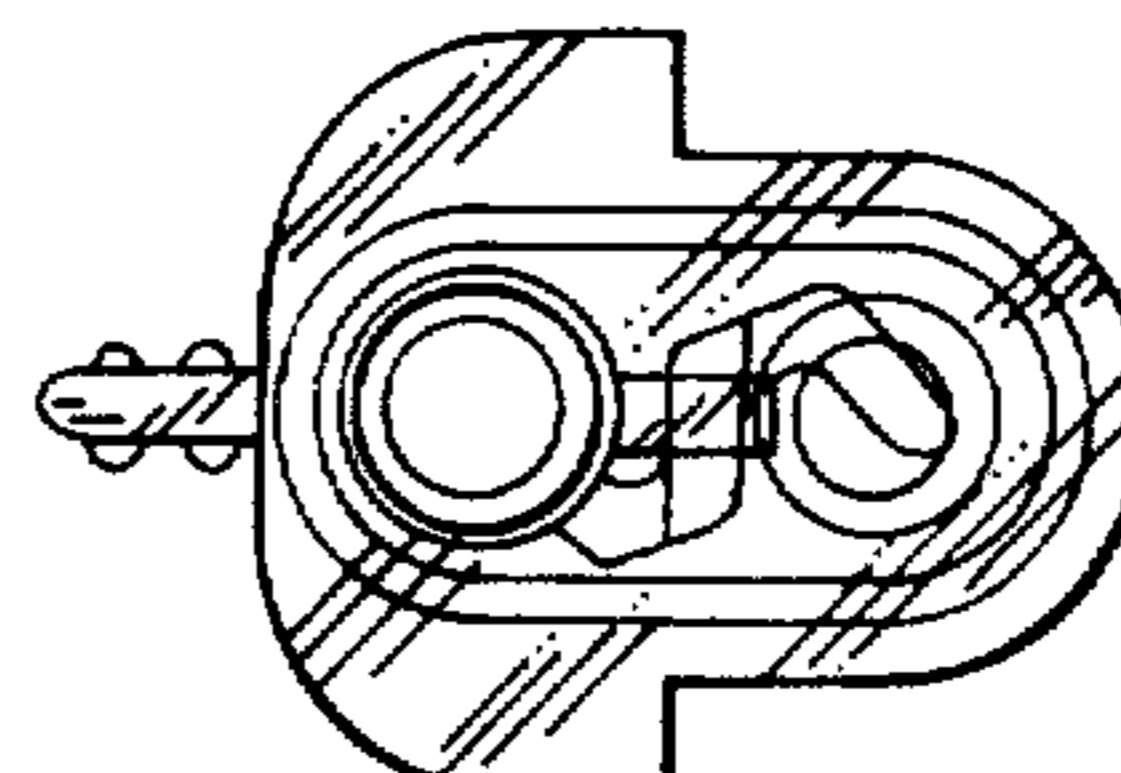


FIG. 5