

[54] FISHING REEL FOR AMPUTEES

[76] Inventor: Robert Radocy, 2860 Pennsylvania Ave., Boulder, Colo. 80303

[\*\*] Term: 14 Years

[21] Appl. No.: 90,352

[22] Filed: Nov. 1, 1979

[51] Int. Cl. .... D22-05

[52] U.S. Cl. .... D22/25

[58] Field of Search ..... D22/25; 242/85.1

[56] References Cited

U.S. PATENT DOCUMENTS

D. 142,686	10/1945	Allen .....	D22/25
D. 171,880	4/1954	Bellinger .....	D22/25
D. 212,752	11/1968	Jacquemin .....	D22/25

1,448,505	3/1923	Powers .....	D22/25 X
3,010,673	11/1961	Marconi .....	D22/25 X
3,179,351	4/1965	Ehlert .....	D22/25 X

Primary Examiner—A. Hugo Word  
Attorney, Agent, or Firm—Richard D. Law

[57] CLAIM

The ornamental design of a fishing reel for amputees, substantially as shown and described.

DESCRIPTION

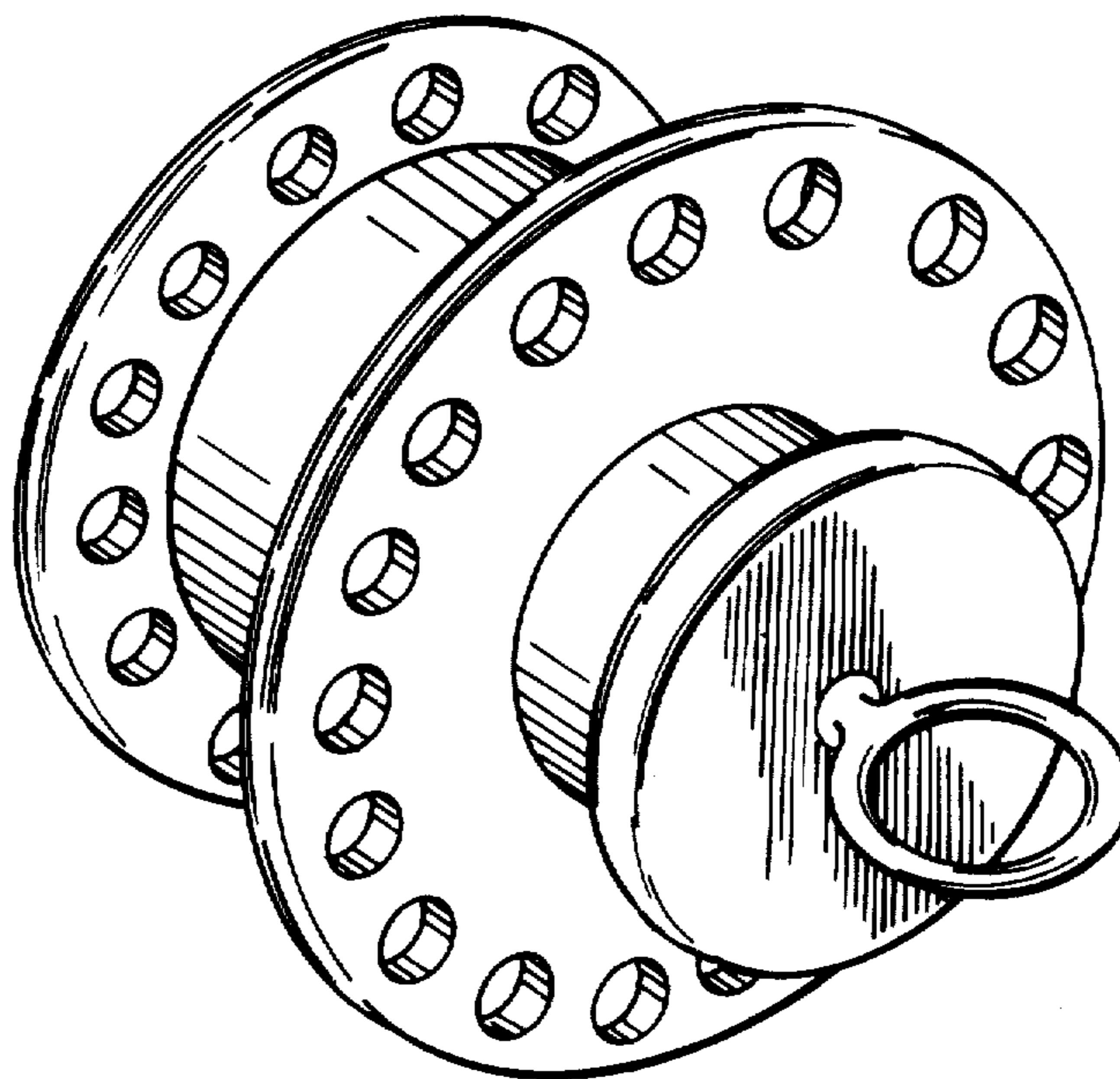
FIG. 1 is a front quarter perspective of a fishing reel for amputees.

FIG. 2 is a front plan view thereof.

FIG. 3 is a side elevational view thereof.

FIG. 4 is a rear plan view thereof, and

FIG. 5 is a side elevational view thereof at 90° to the view of FIG. 3.



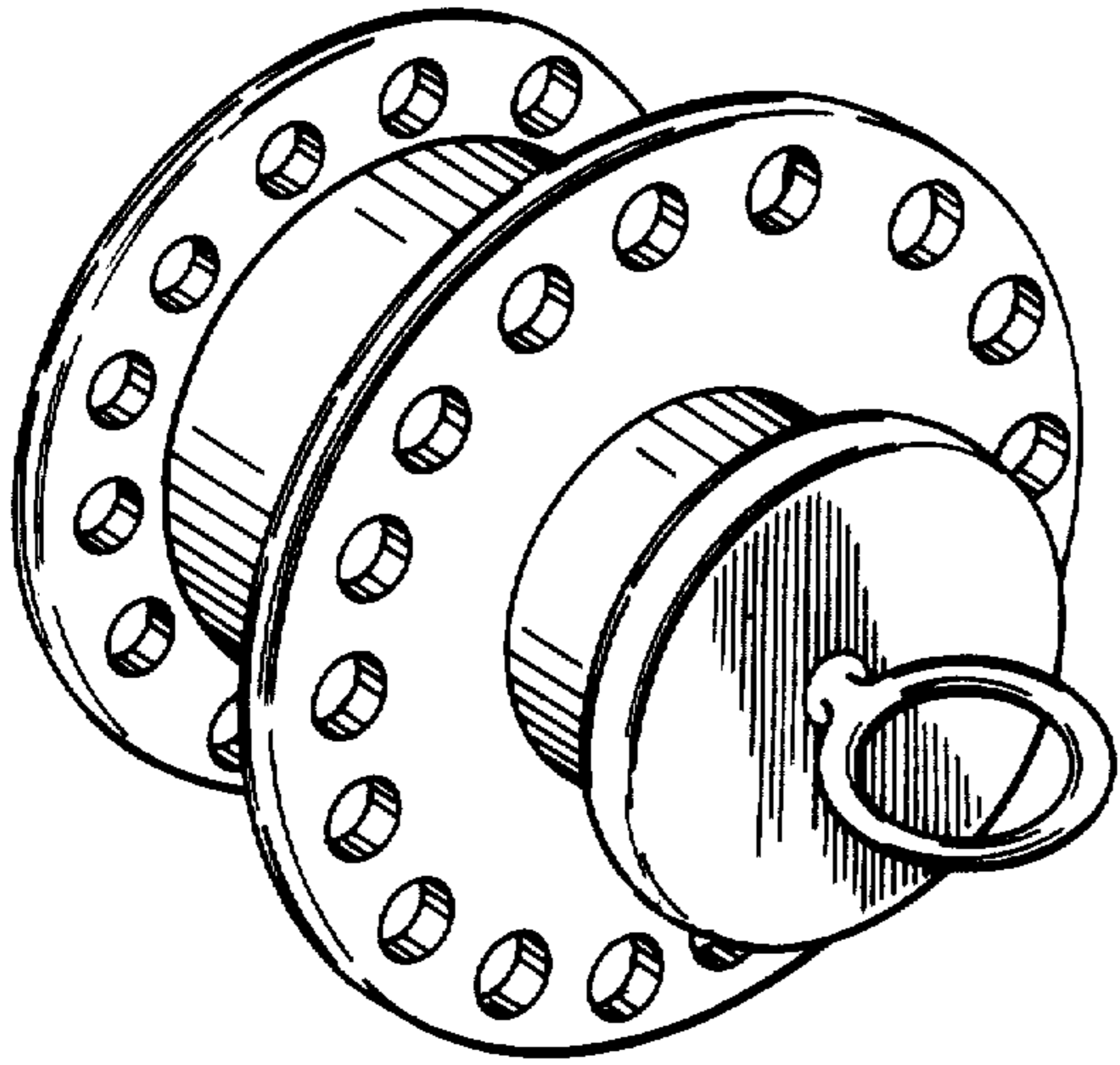


FIG. 1

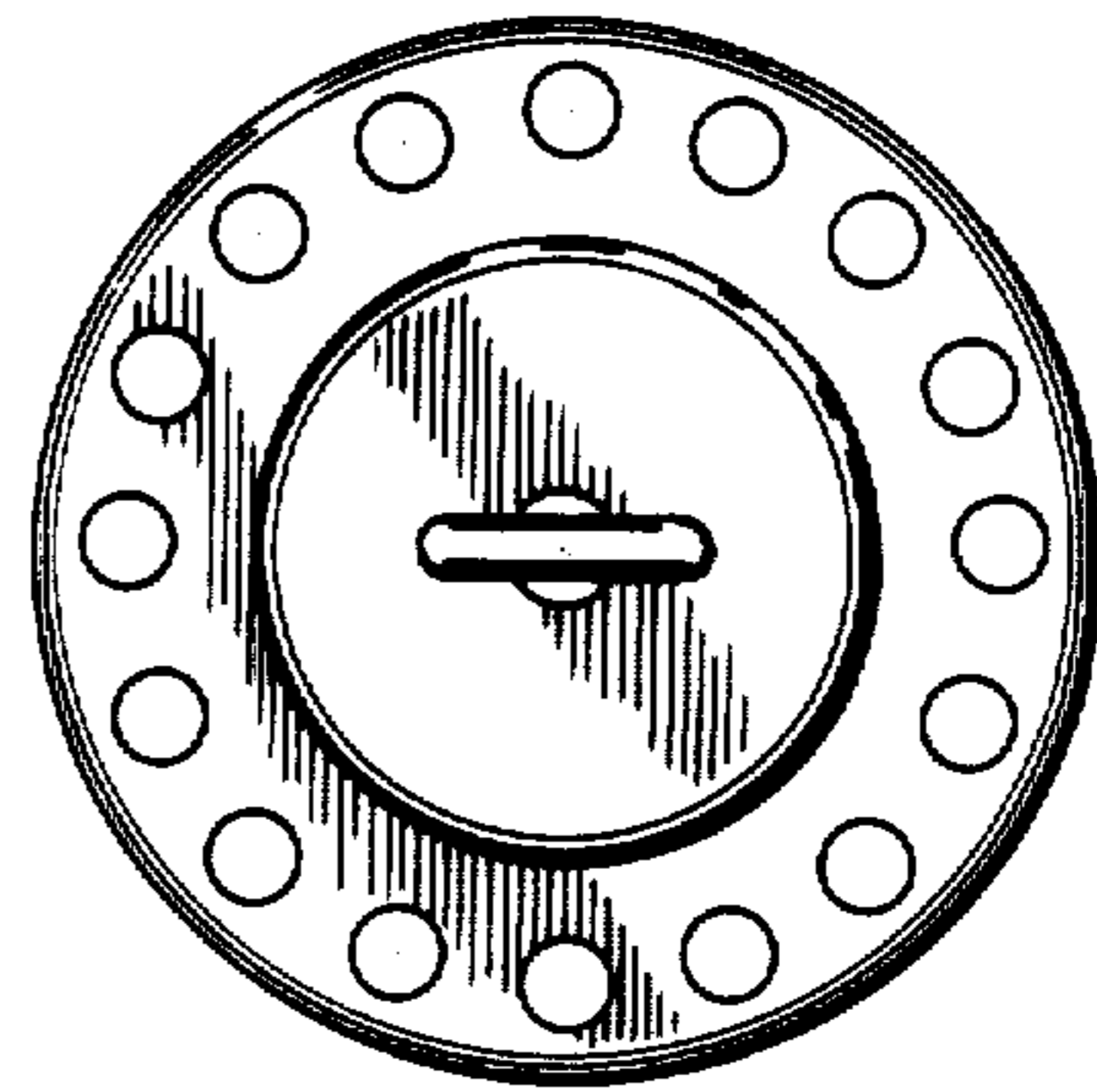


FIG. 2

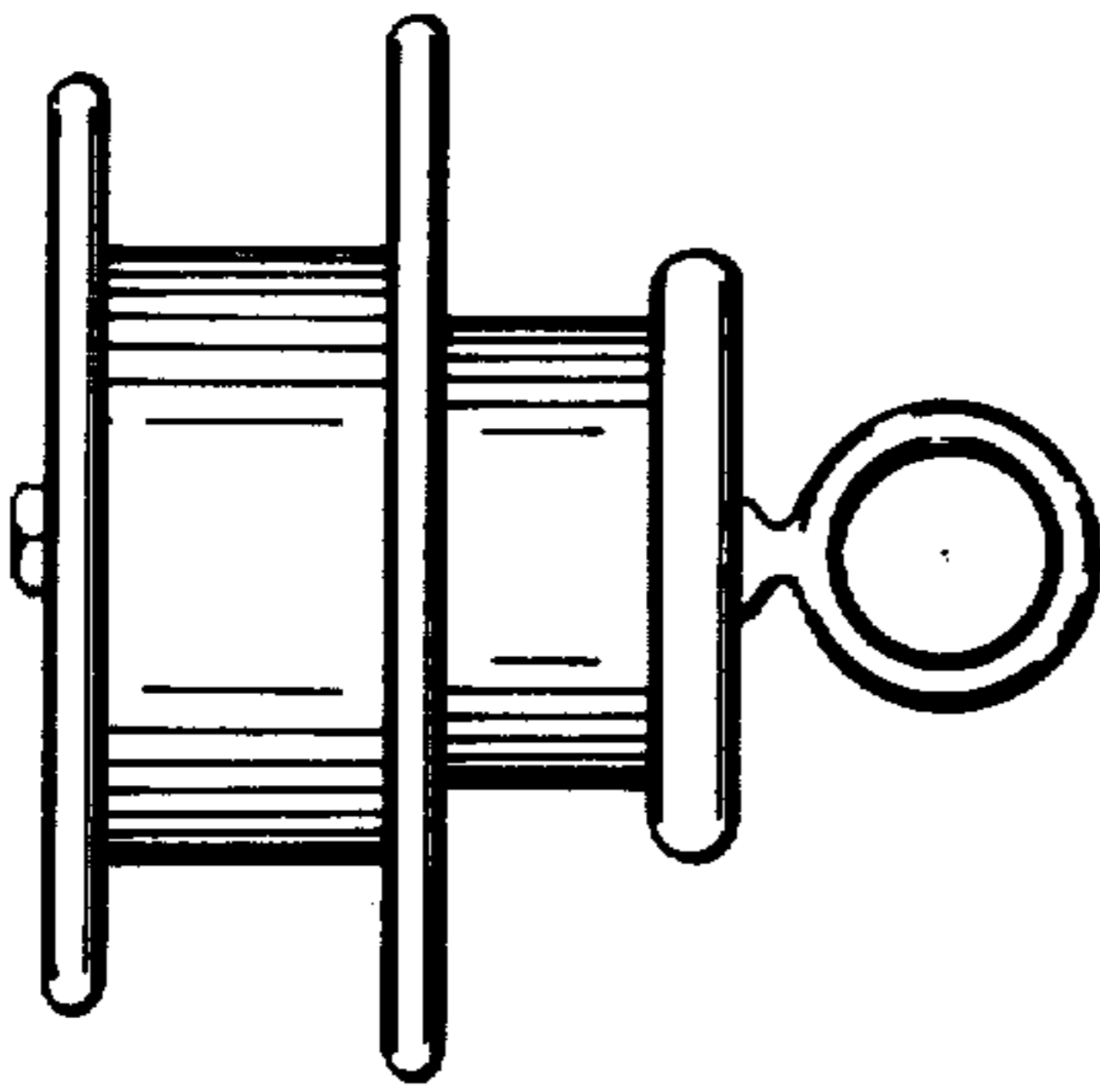


FIG. 3

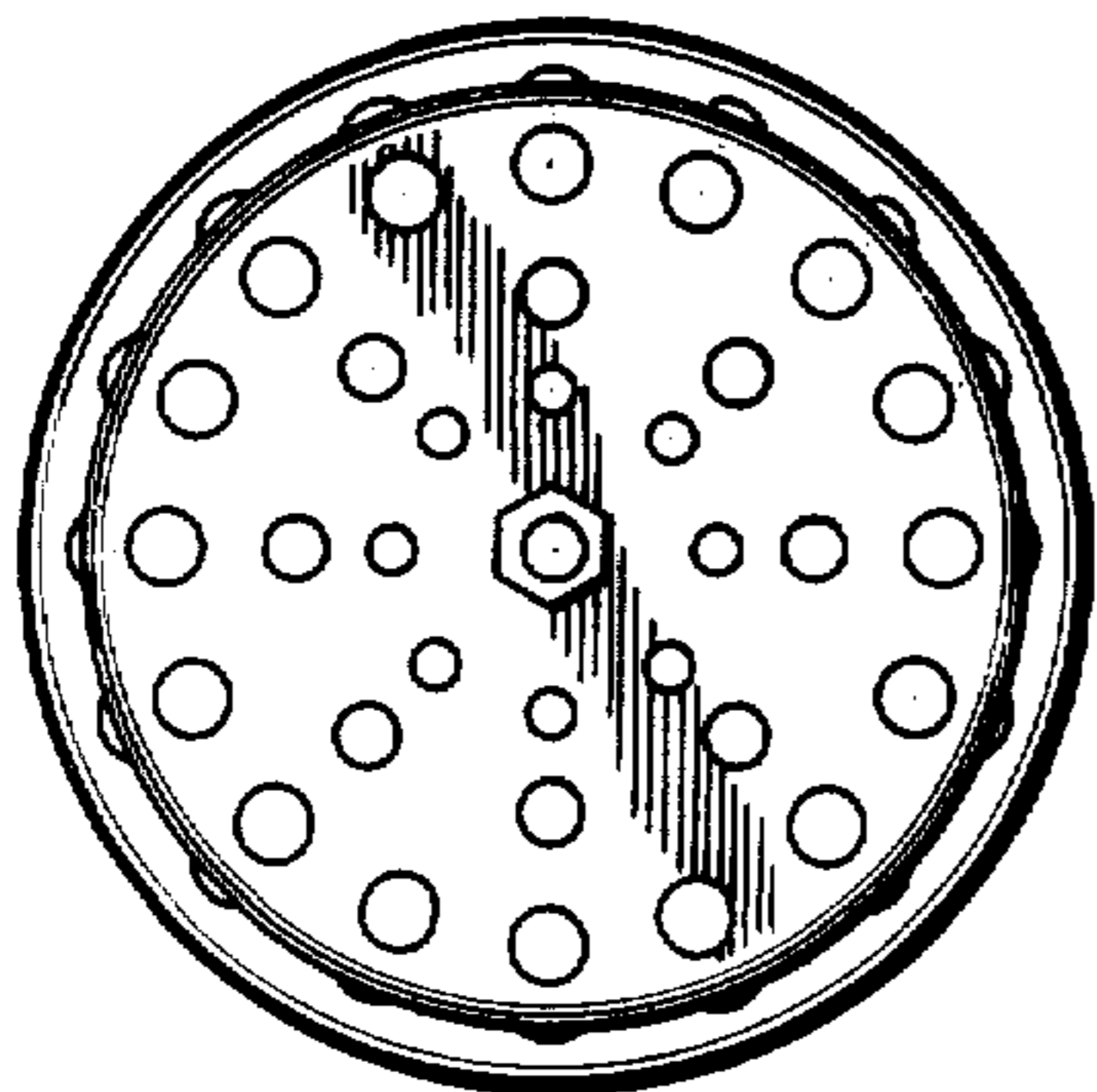


FIG. 4

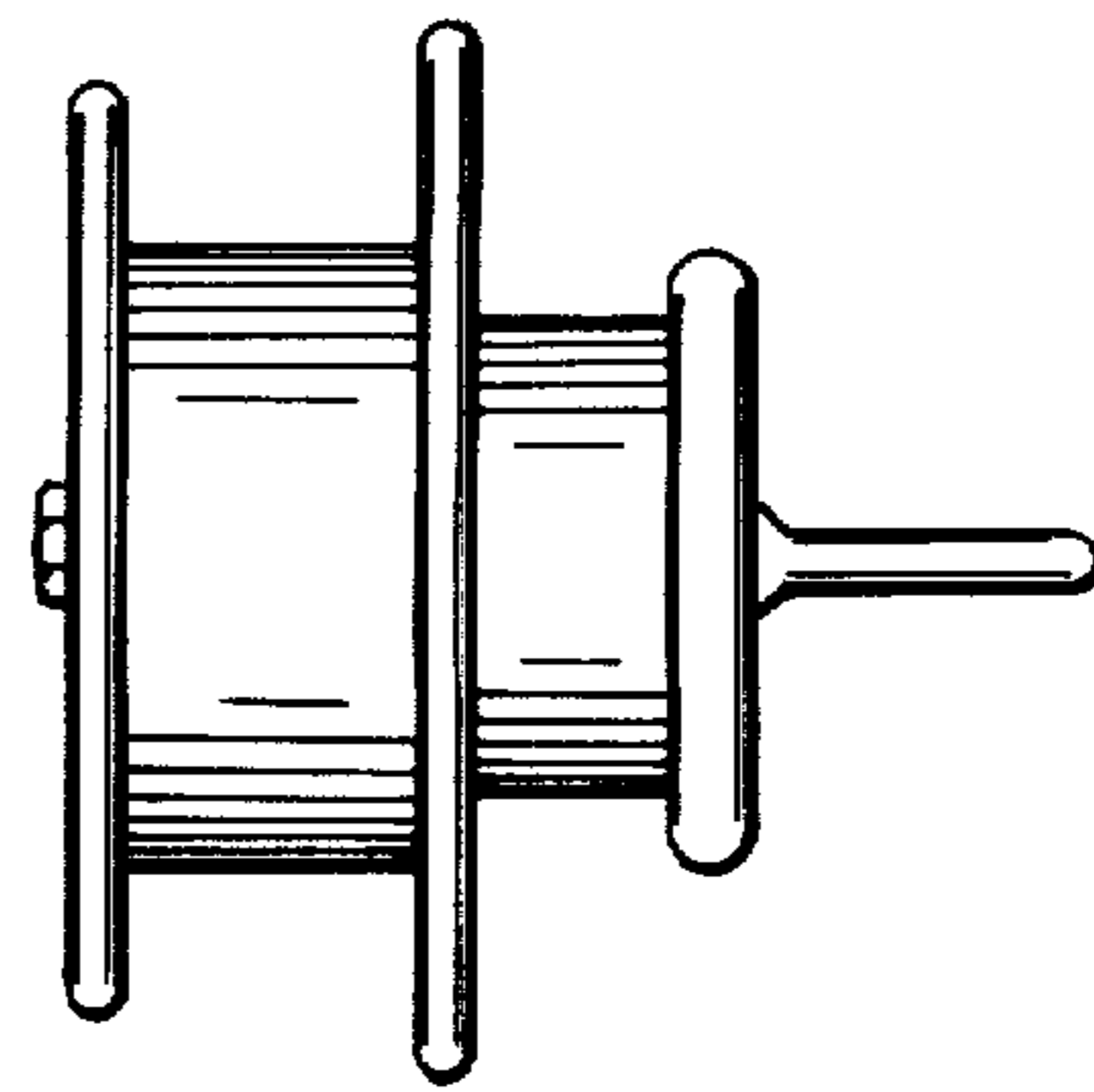


FIG. 5