

[54] ARCHERY SIGHT

[76] Inventor: August E. Siekman, 6912 E. 66th St., Tulsa, Okla. 74133

[**] Term: 14 Years

[21] Appl. No.: 111,762

[22] Filed: Jan. 14, 1980

[51] Int. Cl. D22-01

[52] U.S. Cl. D22/5; D22/8

[58] Field of Search 124/87, 23 B, 24 R, 124/30 R; D22/5, 7, 8; 33/265

[56] References Cited

U.S. PATENT DOCUMENTS

D. 240,527	7/1976	Nishikata	D22/5
D. 252,214	6/1979	Smith	D22/5
3,674,002	7/1972	Diamond	124/87

Primary Examiner—A. Hugo Word
Attorney, Agent, or Firm—Burton & Dorr

[57] CLAIM

The ornamental design for an archery sight, as shown and described.

DESCRIPTION

FIG. 1 is a perspective view of an archery sight showing my new design, the broken lines being shown for illustrative purposes only;

FIG. 2 is a front view thereof;

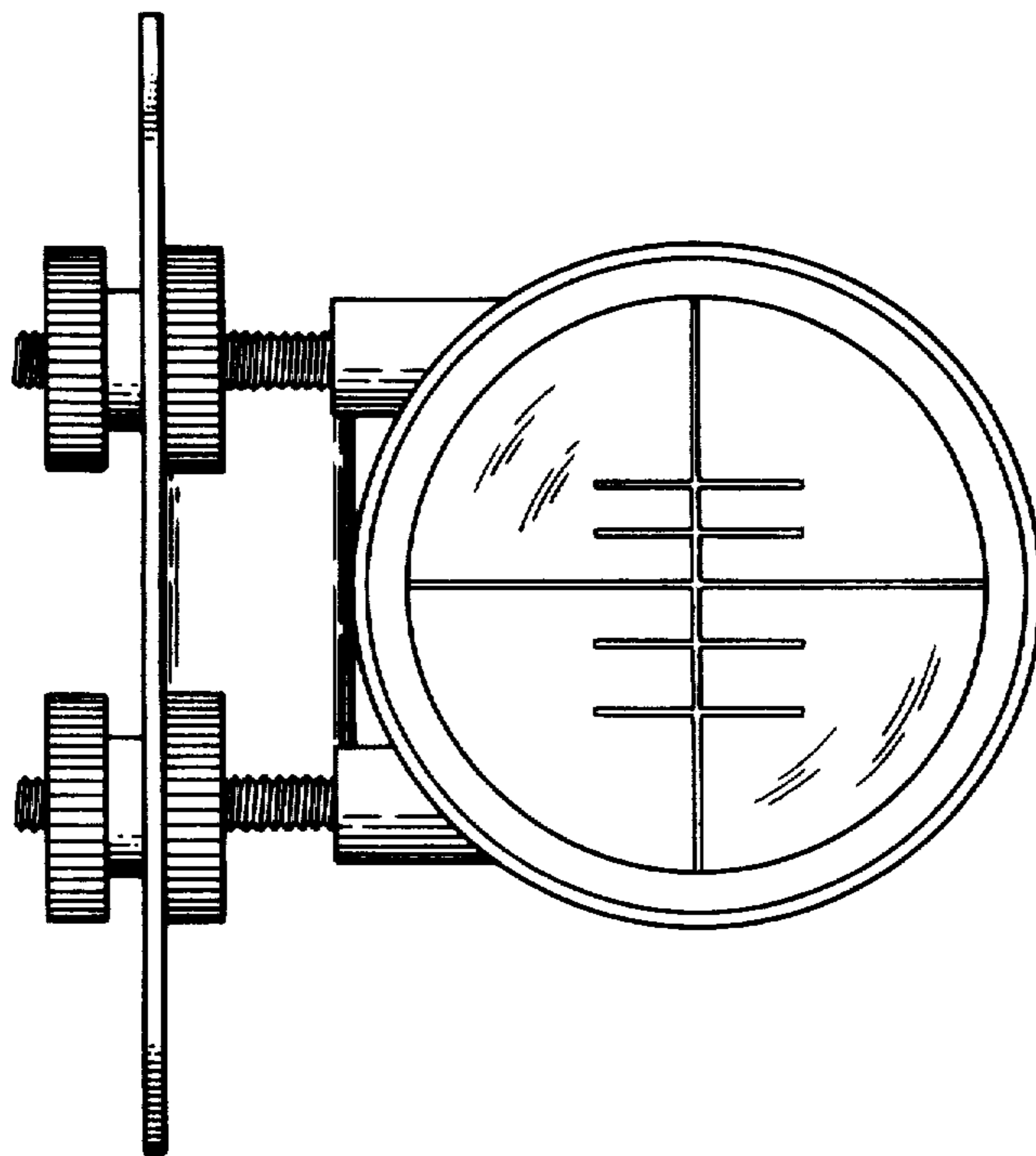
FIG. 3 is a back view thereof;

FIG. 4 is a top view thereof;

FIG. 5 is a side view thereof taken from the right of FIG. 2;

FIG. 6 is a side view thereof taken from the left of FIG. 2;

FIG. 7 is a bottom view thereof.



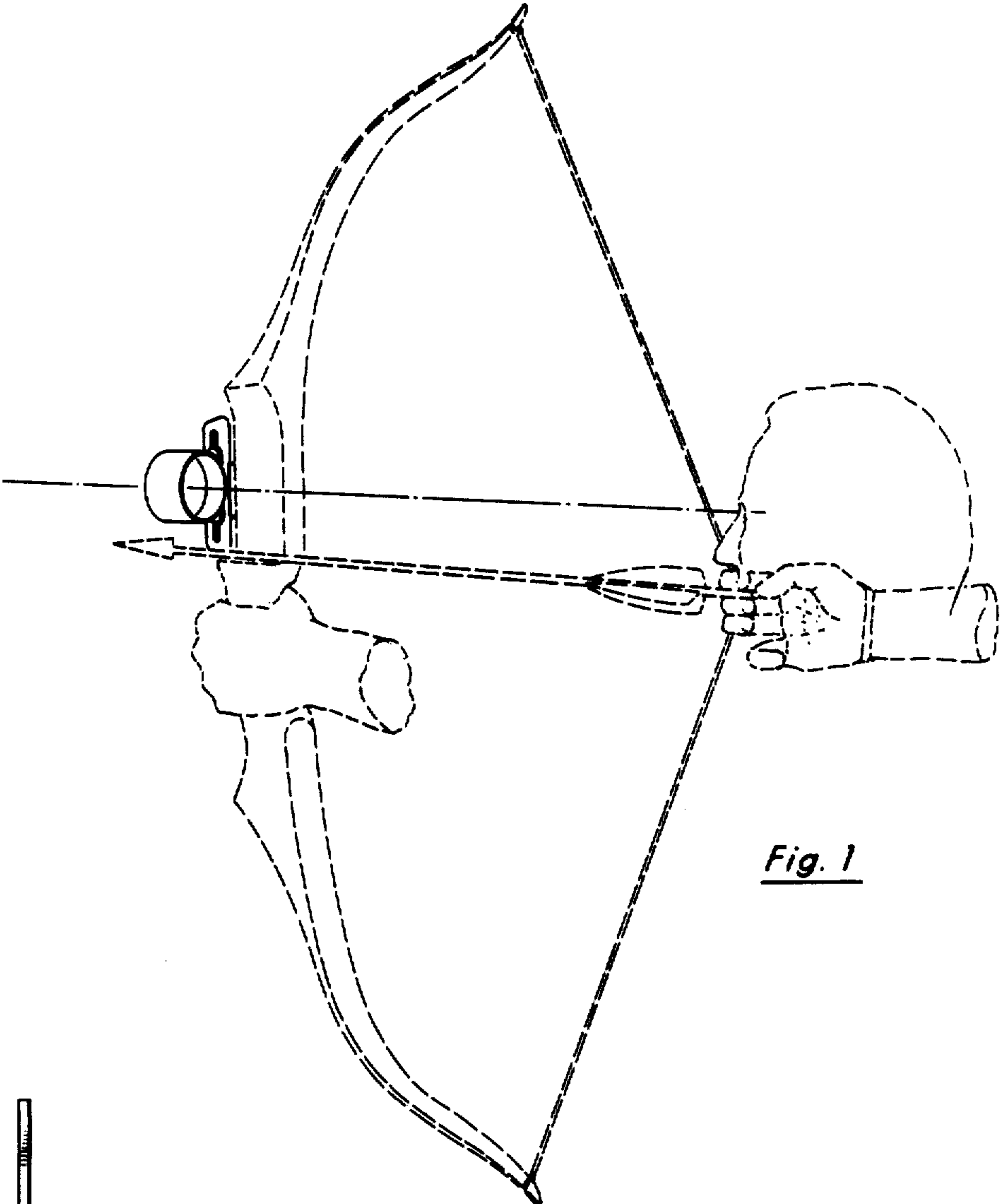


Fig. 1

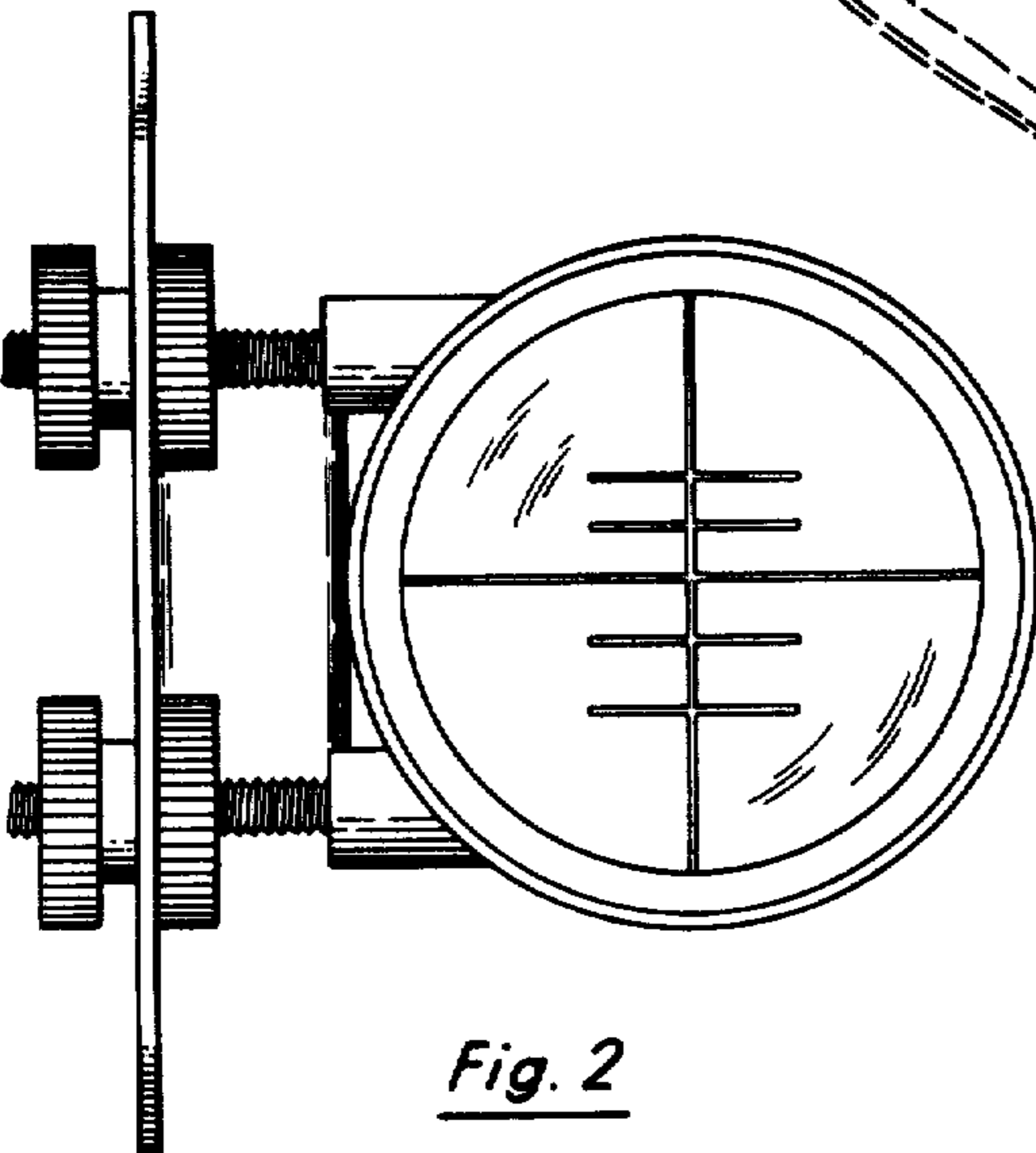


Fig. 2

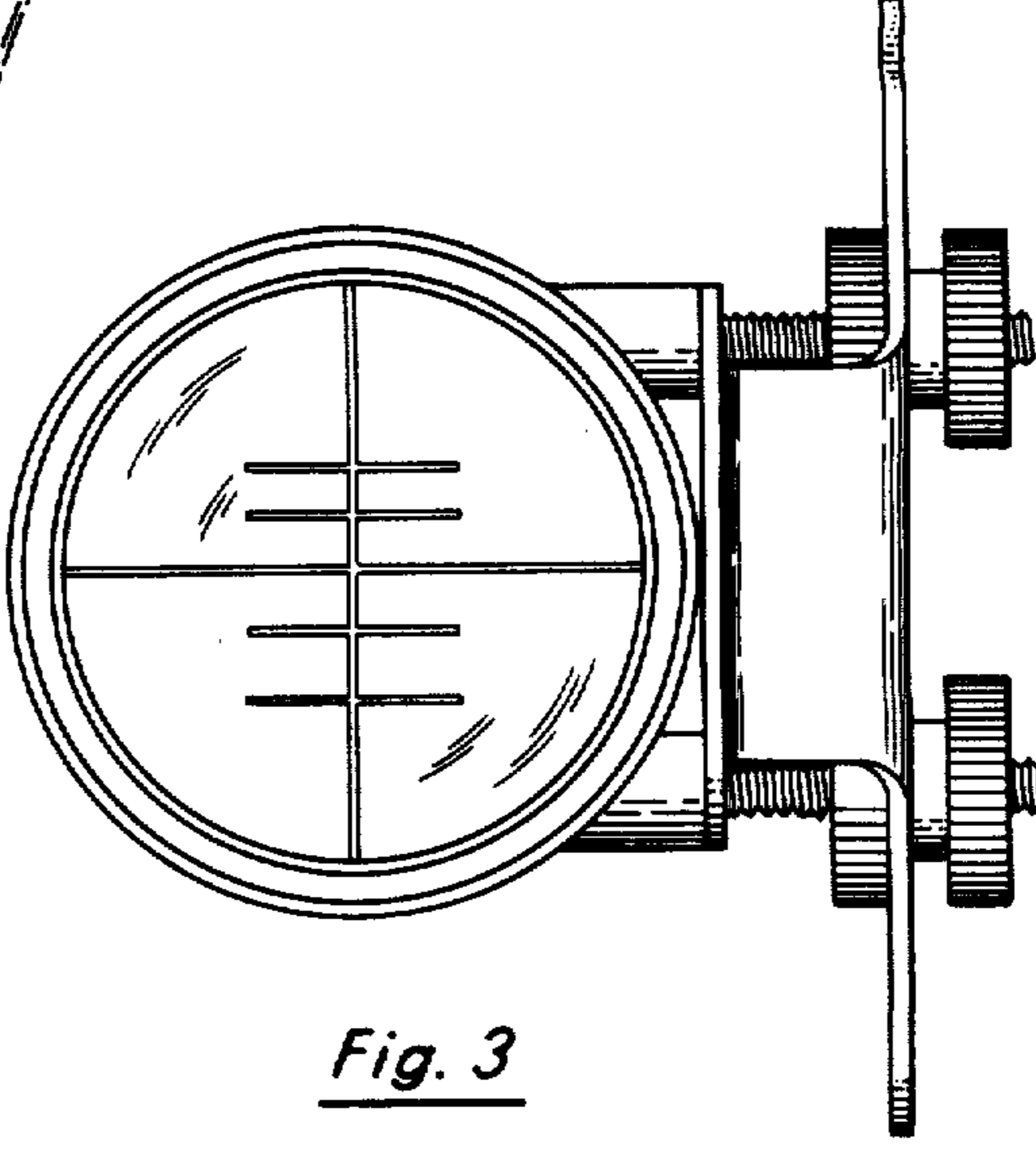


Fig. 3

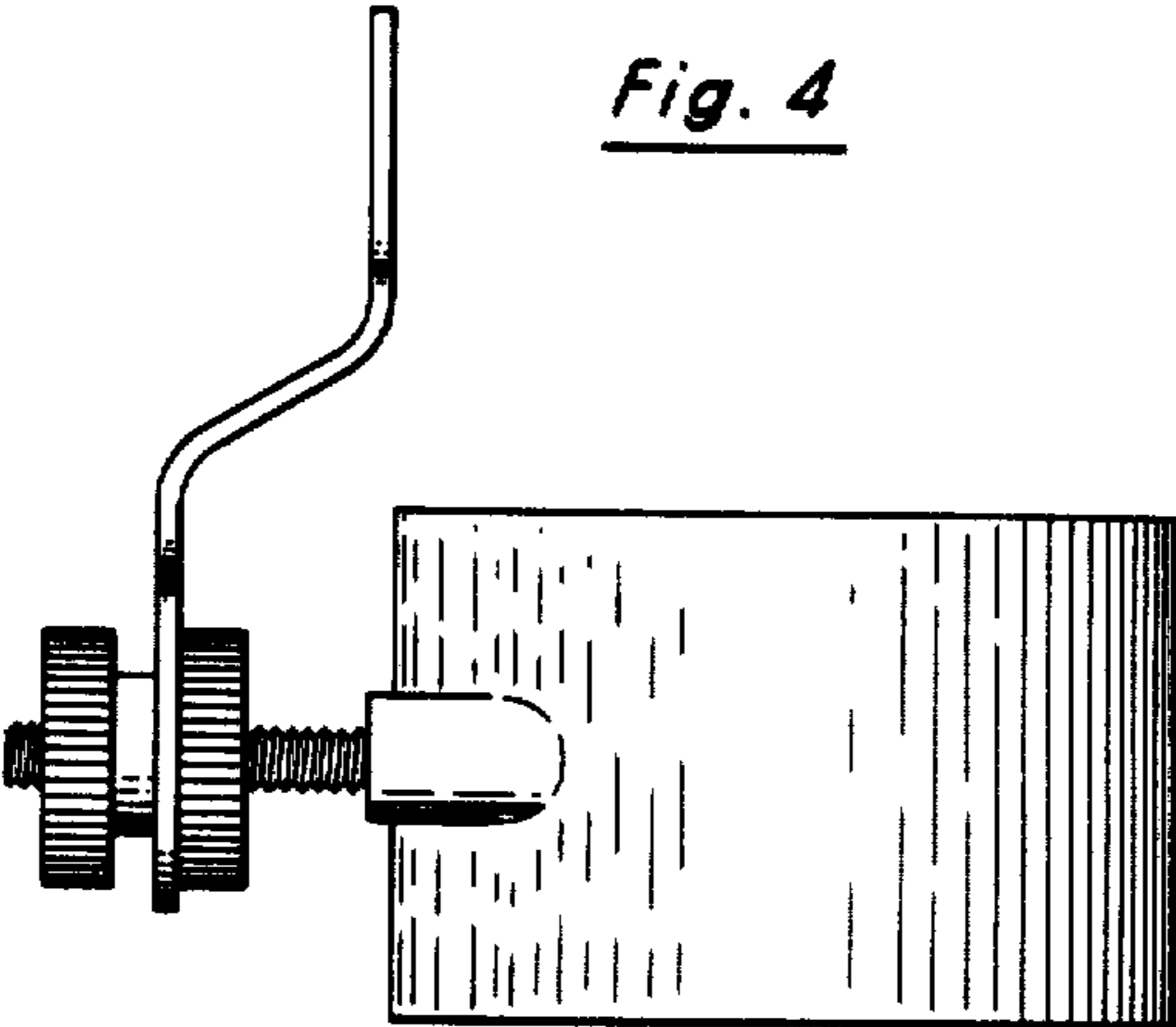


Fig. 4

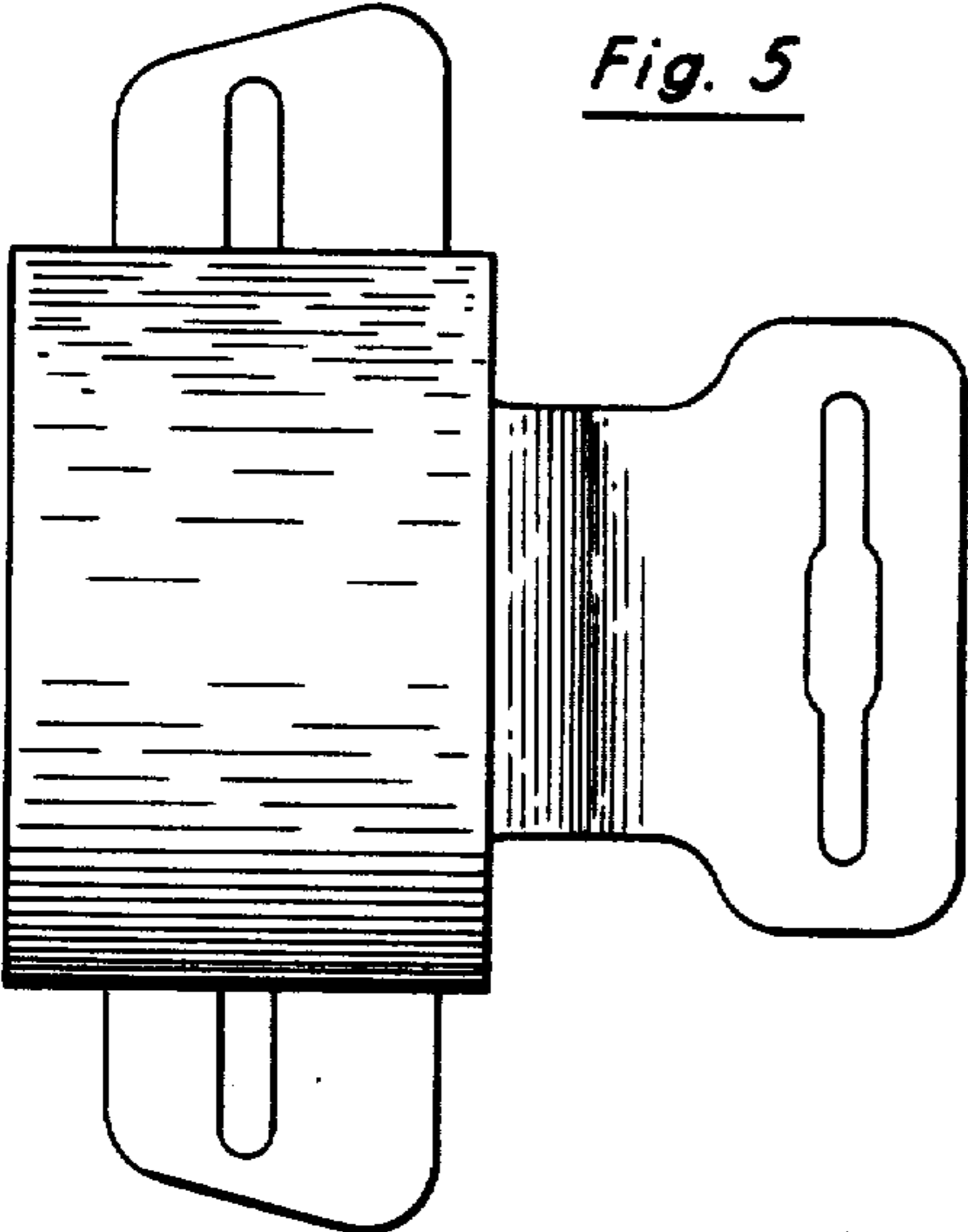


Fig. 5

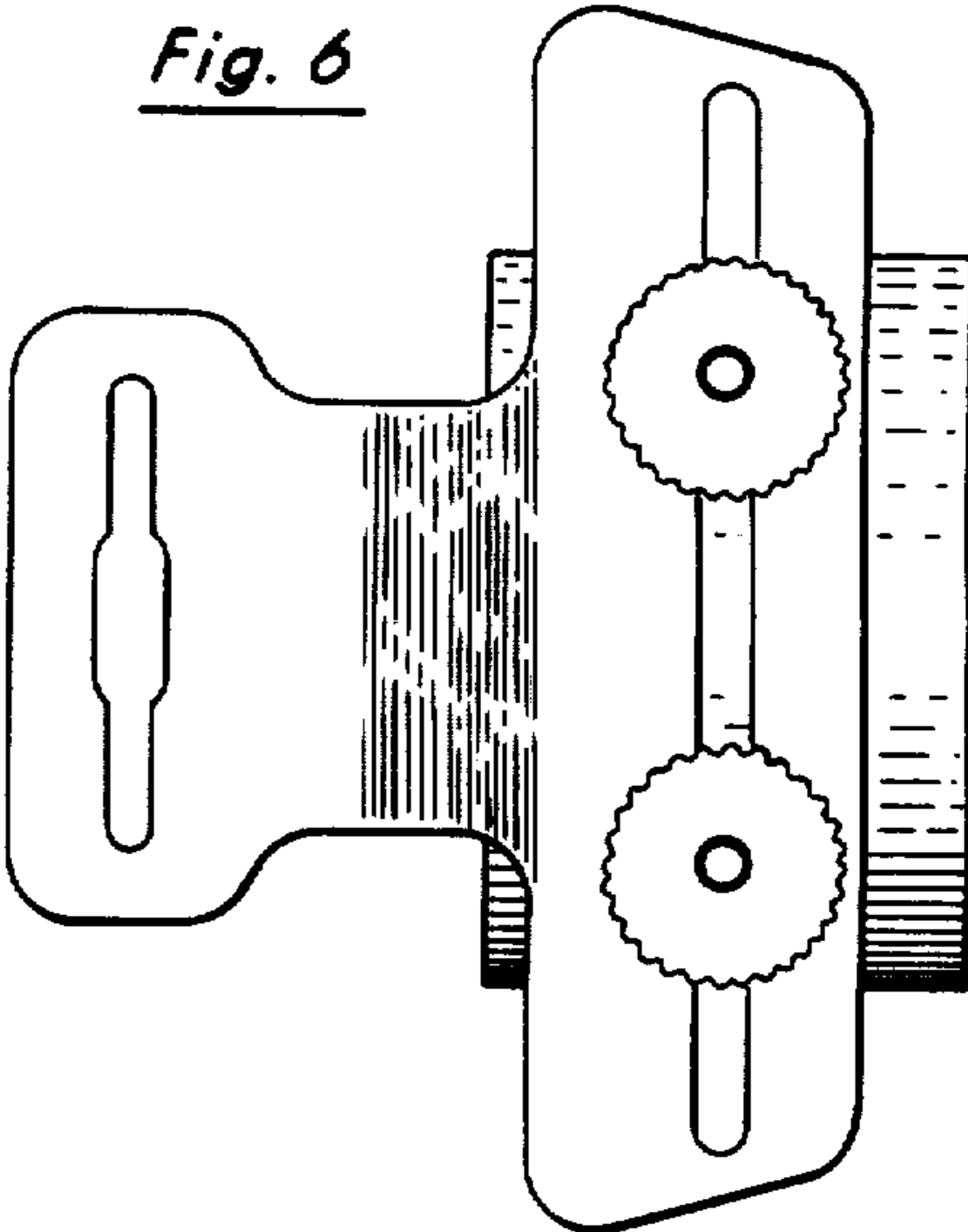


Fig. 6

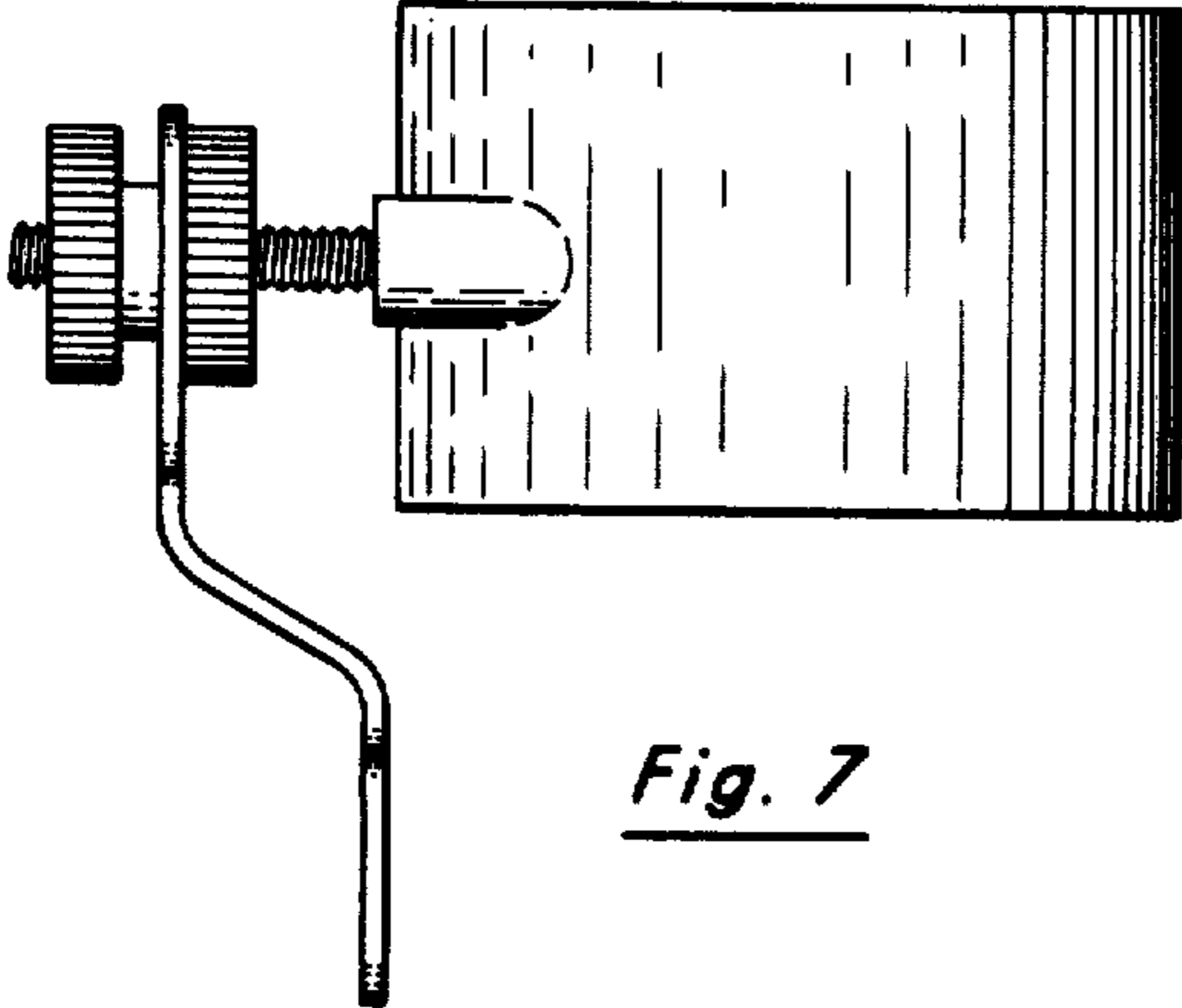


Fig. 7