

[54] MICROSCOPE STAND

[76] Inventor: R. W. Hodgson, 1680 N. Vine St. #204, Hollywood, Calif. 90028

[**] Term: 14 Years

[21] Appl. No.: 912,931

[22] Filed: Jun. 5, 1978

[51] Int. Cl. D16-06

[52] U.S. Cl. D16/58

[58] Field of Search 350/86, 82, 50, 87; D16/57, 58

[56] References Cited

U.S. PATENT DOCUMENTS

D. 195,998	8/1963	Auböck	D16/57
D. 229,581	12/1973	Armbruster et al.	D16/58
D. 234,369	2/1975	Aalen	D16/58

D. 252,276	7/1979	Griffith	D16/57
3,458,244	7/1969	Klein	350/50 X
3,798,435	3/1974	Schindl	350/87 X

Primary Examiner—Bernard Ansher

[57] CLAIM

The ornamental design for a microscope stand, as shown and described.

DESCRIPTION

FIG. 1 is a top front perspective view of a microscope stand showing my new design;
 FIG. 2 is a top plan view thereof;
 FIG. 3 is a right side elevation thereof;
 FIG. 4 is a front elevation thereof;
 FIG. 5 is a left side elevation thereof;
 FIG. 6 is a rear elevation thereof; and
 FIG. 7 is a bottom plan view thereof.
 The broken lines are shown for illustrative purposes only.

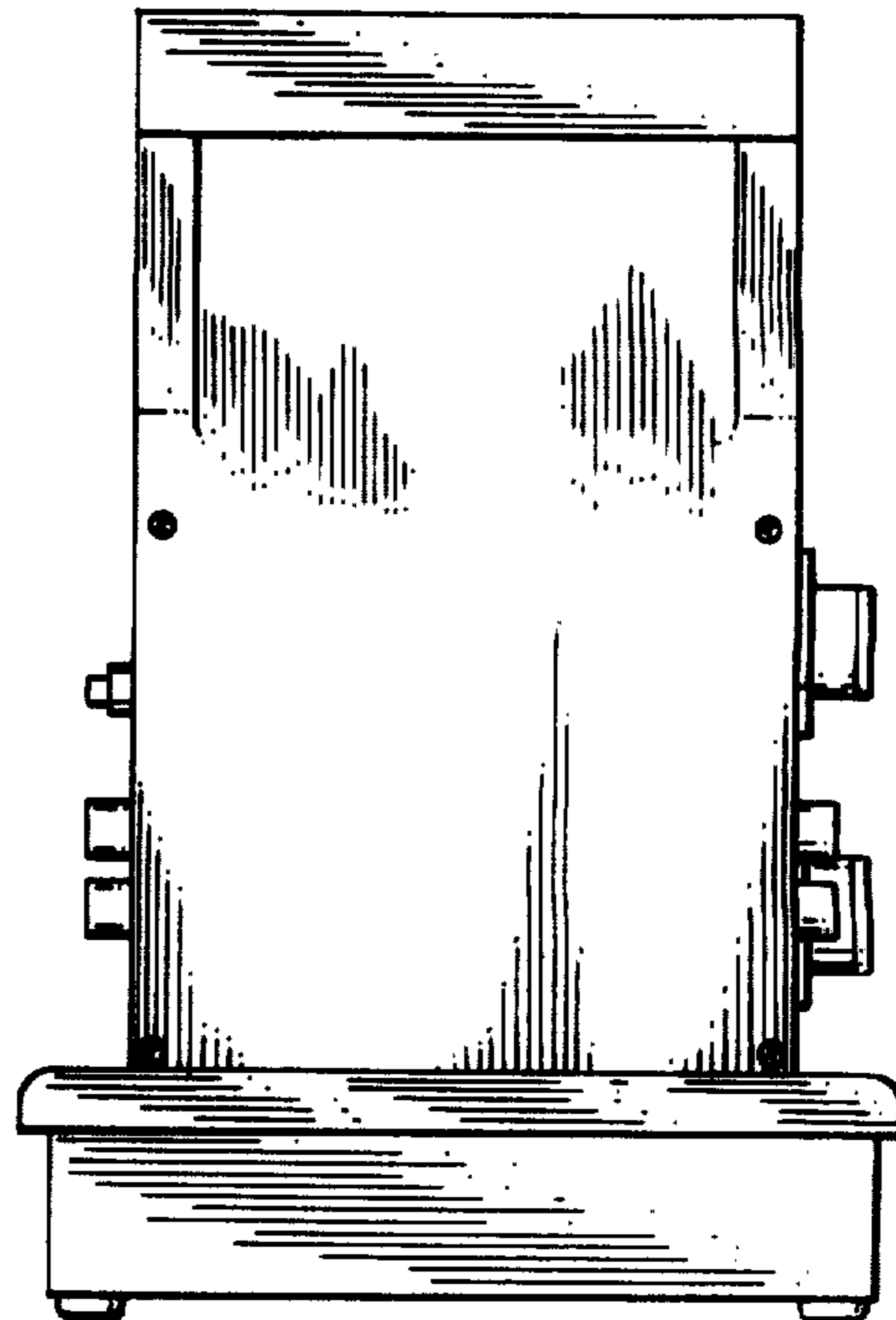
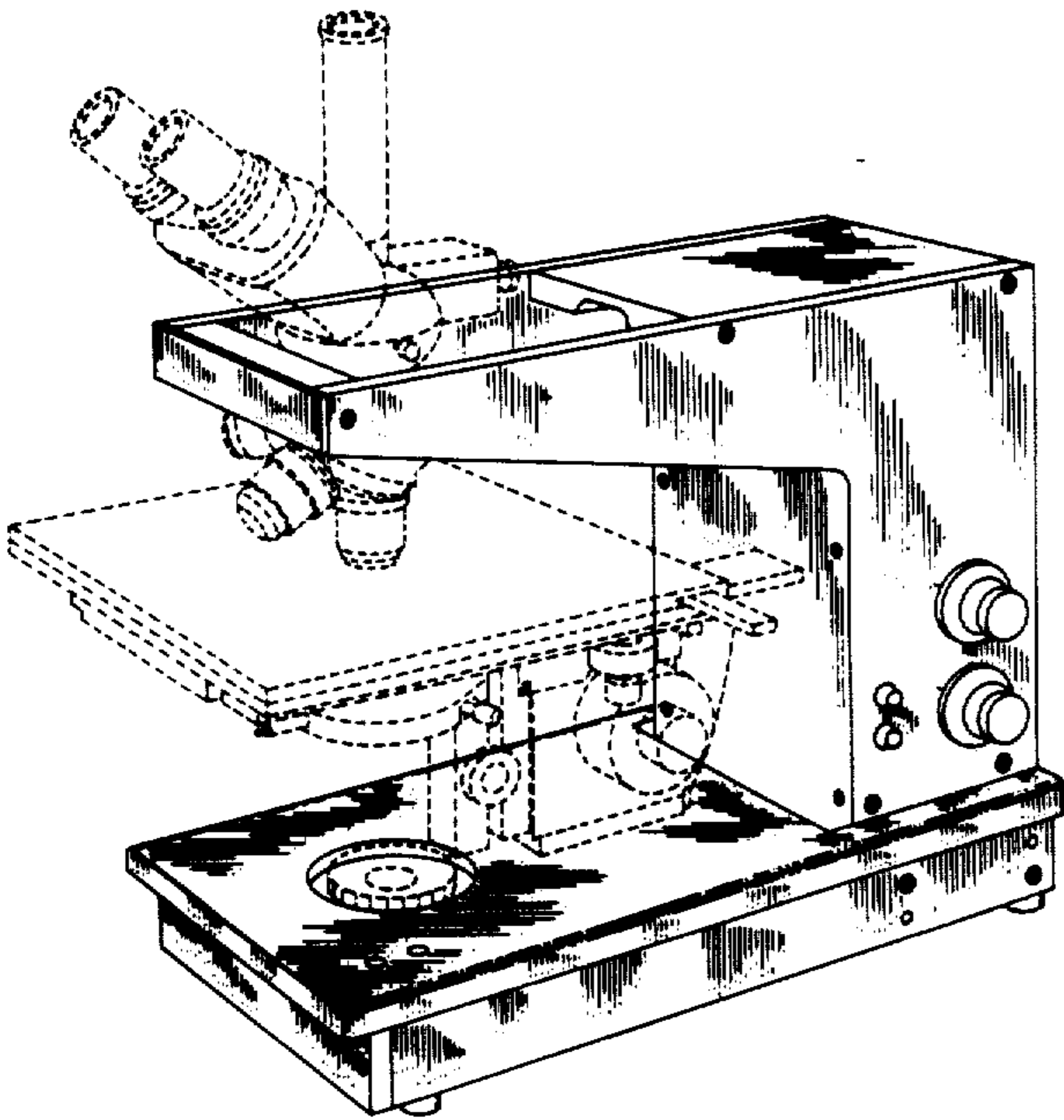


FIG. 1

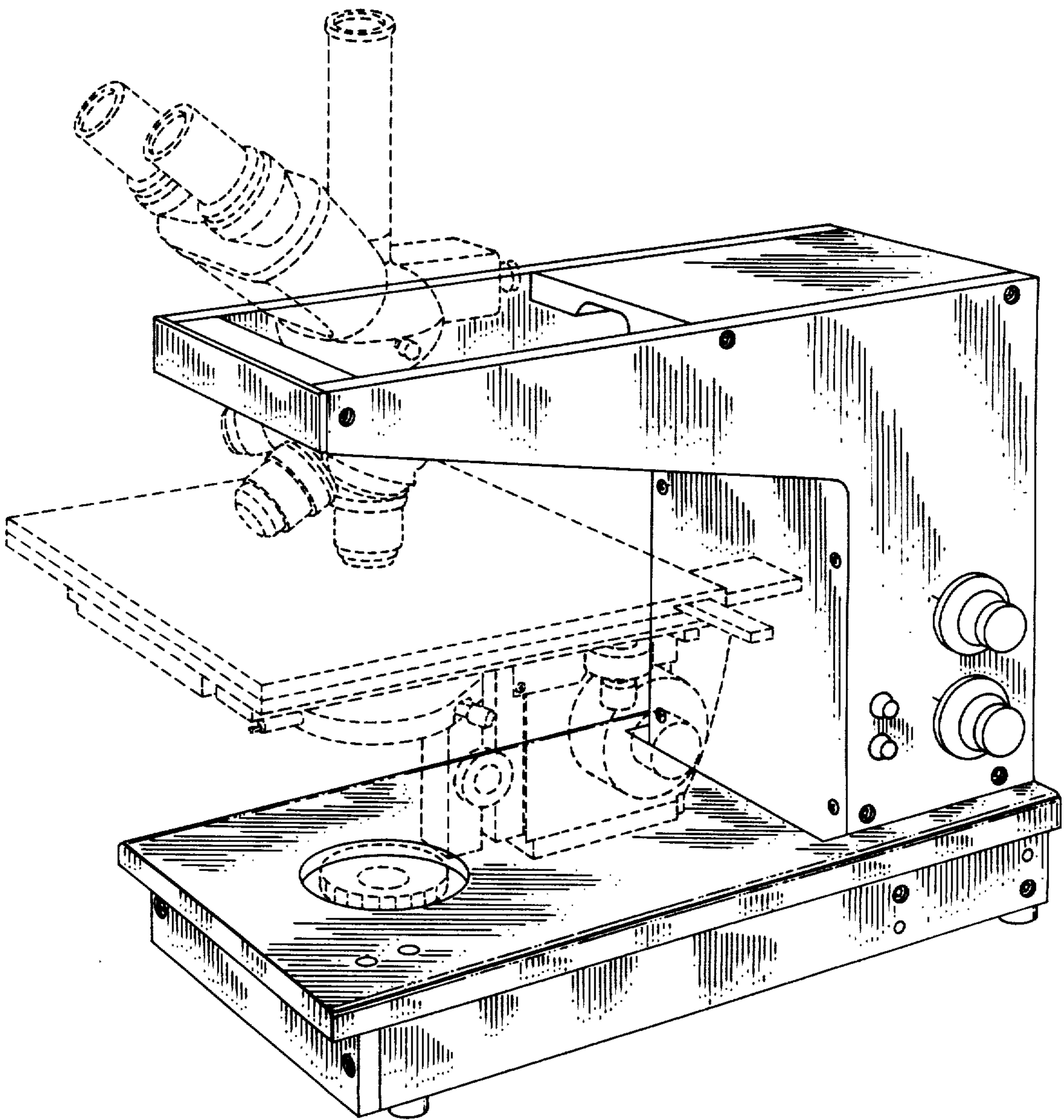


FIG. 2

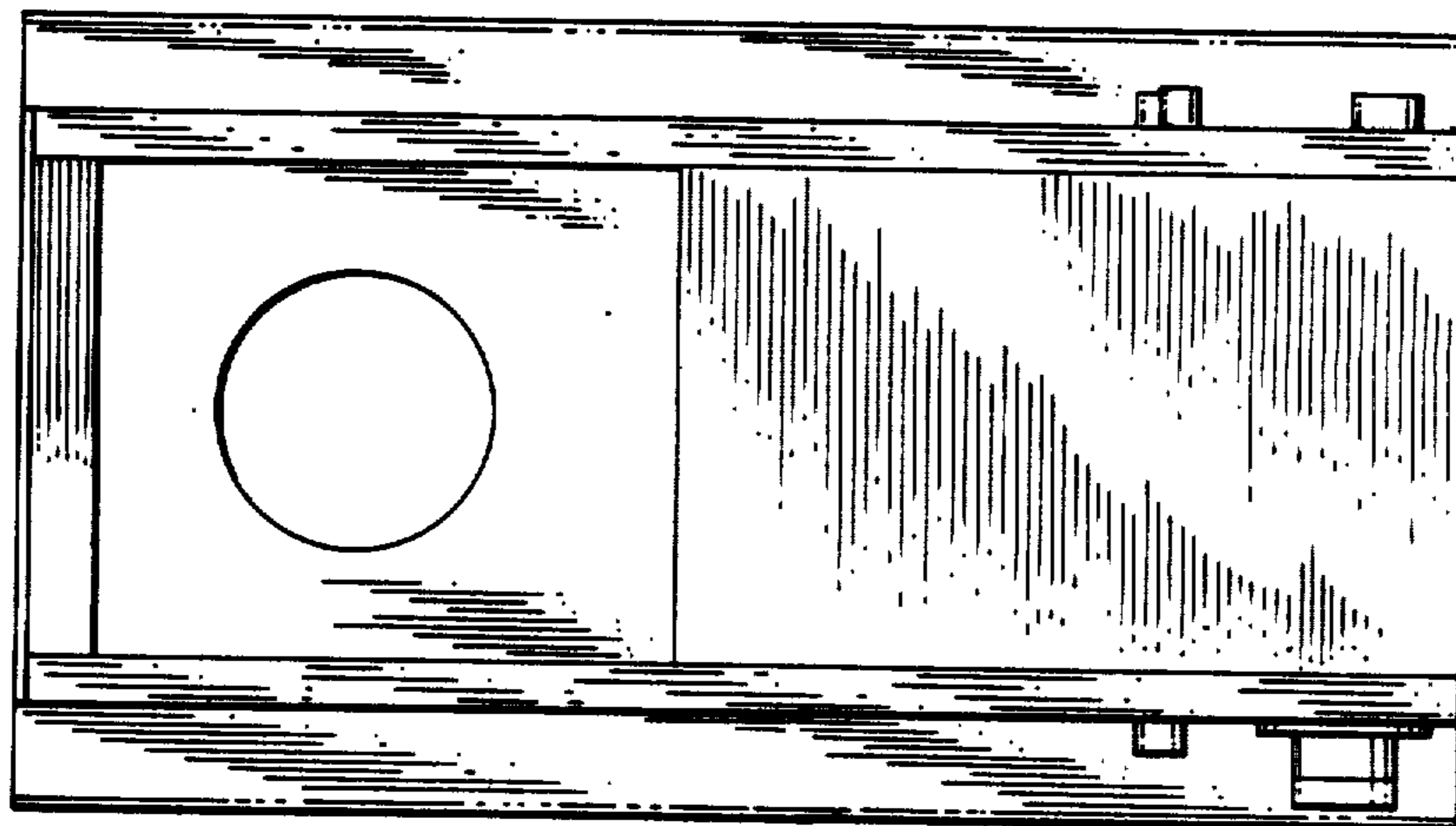


FIG. 3

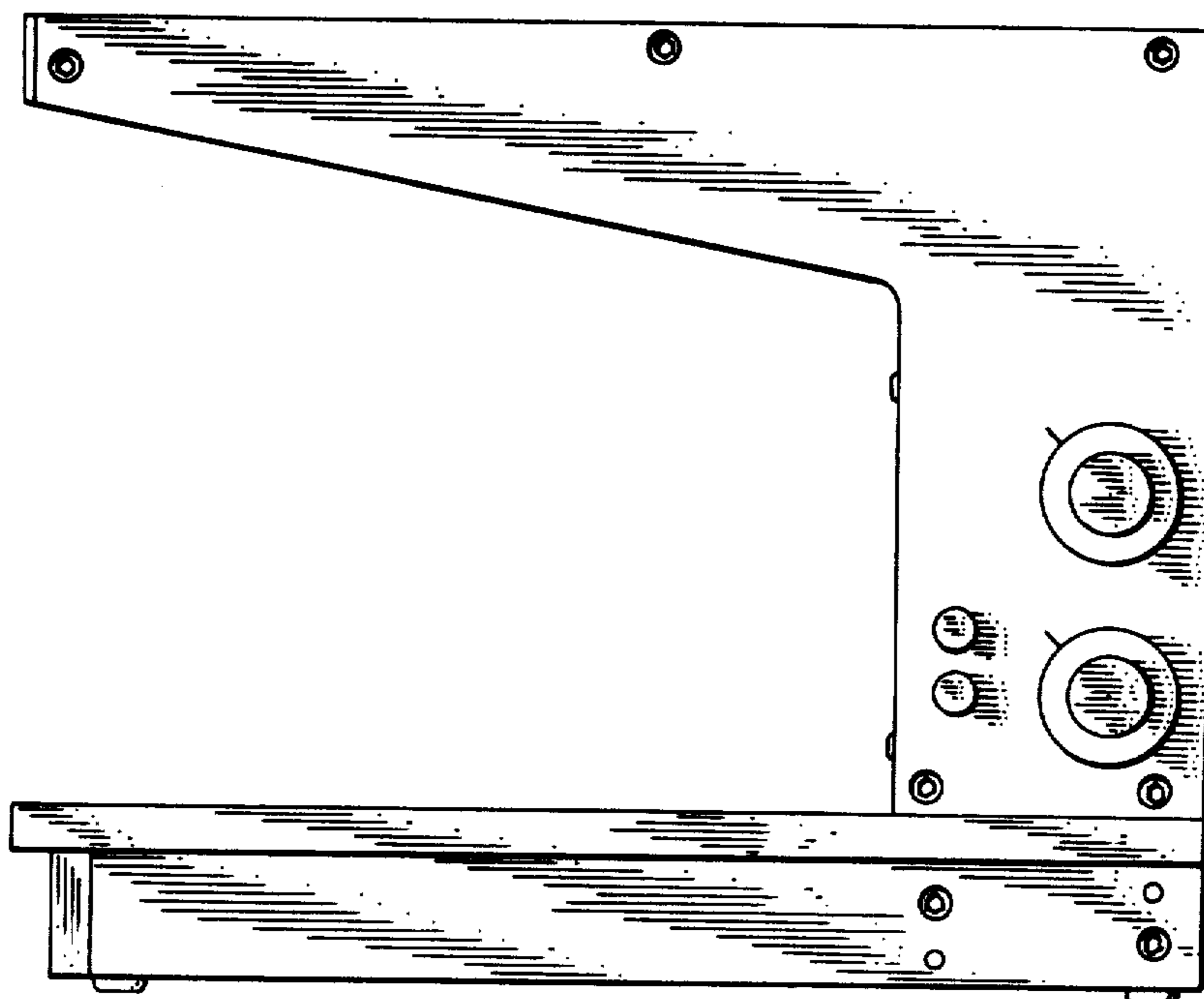


FIG. 4

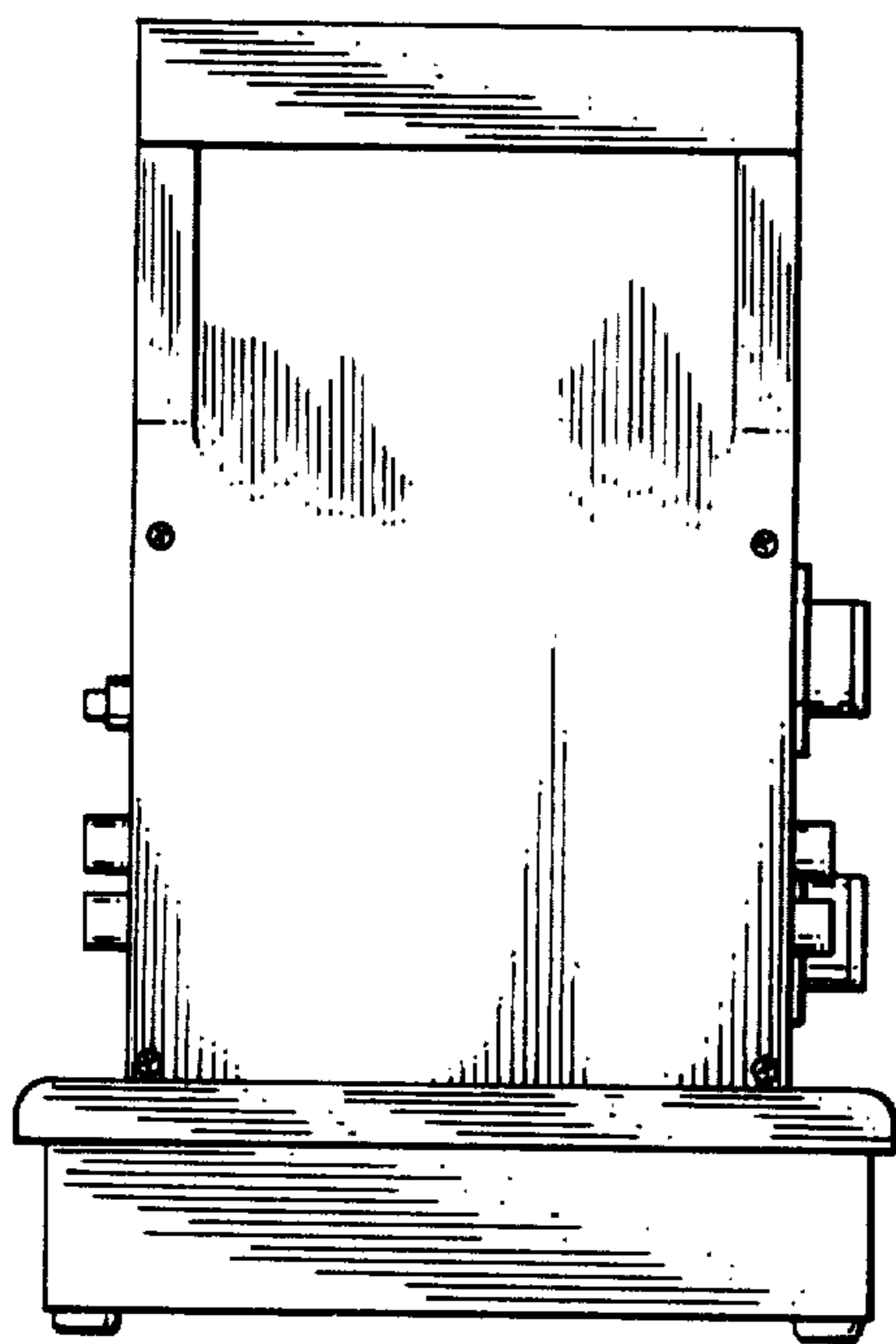


FIG. 5

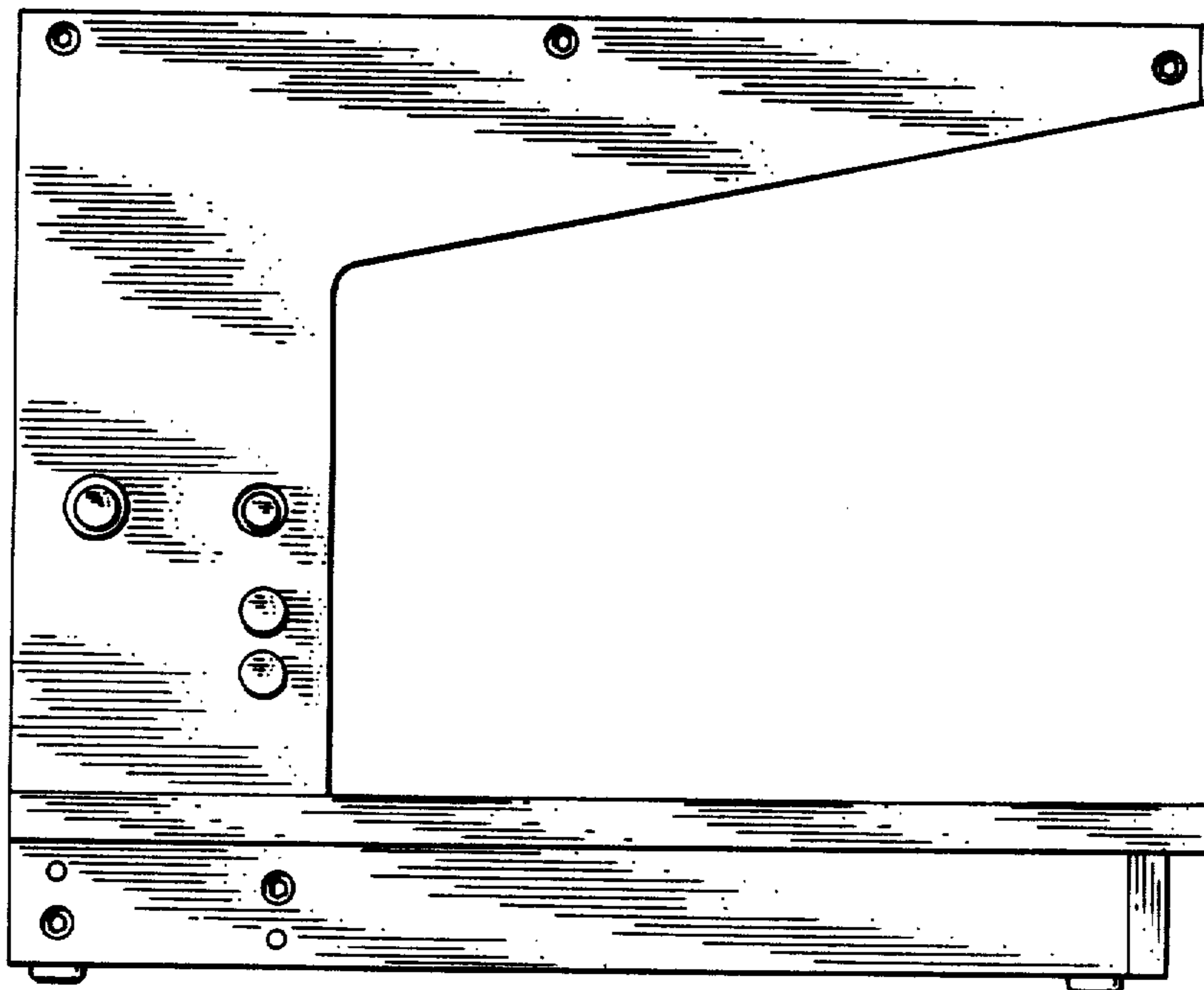


FIG. 6

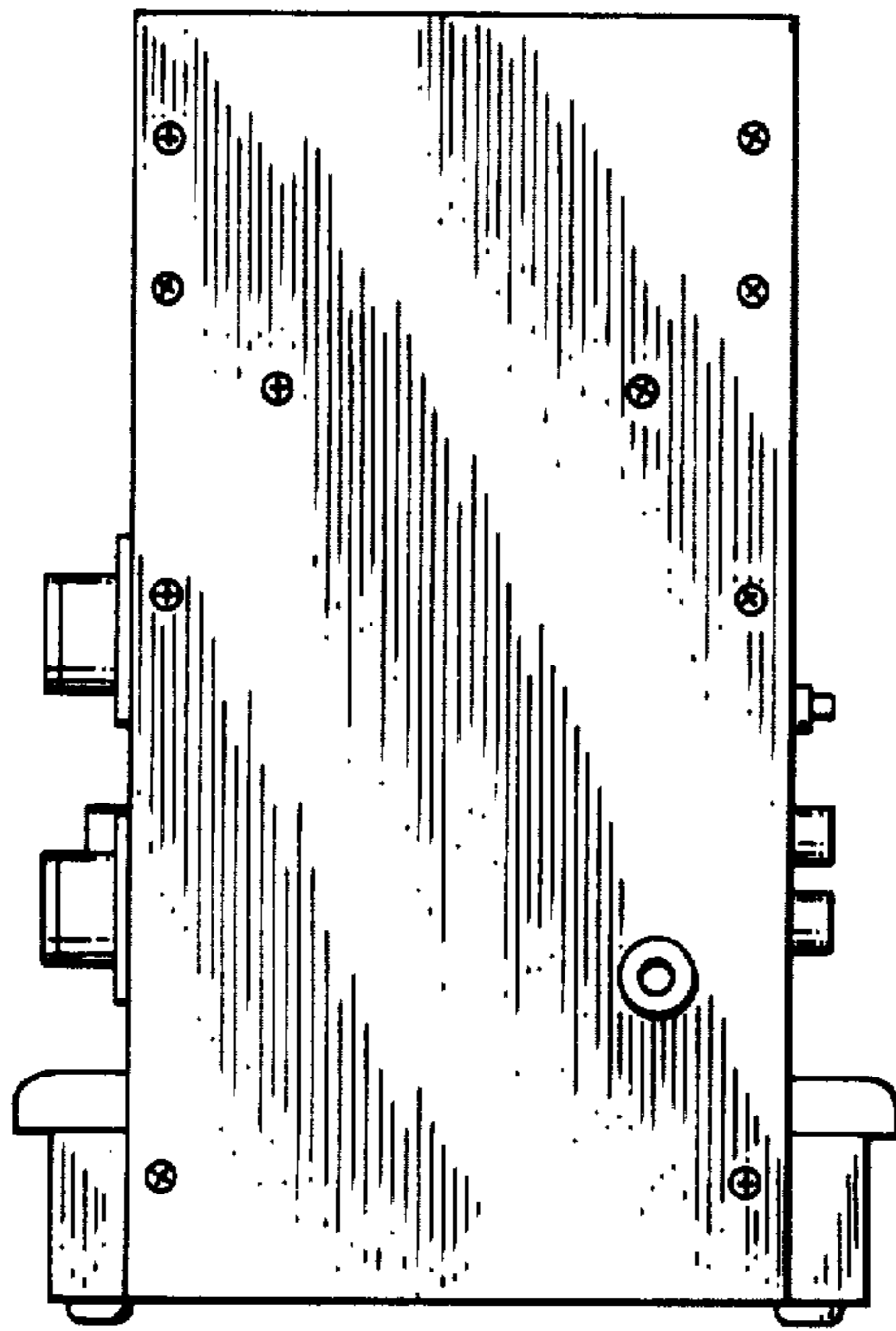


FIG. 7

