

[54] BLADE FOR A CULTIVATOR

[75] Inventors: Robert L. Bartlett, Columbia, Mo.;
Anthony Jacyno, Libertyville, Ill.

[73] Assignee: Benchmark Tool Company, Vandalia,
Ohio

[**] Term: 14 Years

[21] Appl. No.: 957,199

[22] Filed: Nov. 6, 1978

[51] Int. Cl. D15-03

[52] U.S. Cl. D15/11; D15/29

[58] Field of Search D15/28, 29, 32;
172/123, 540, 555, 556, 45; 56/289, 255, 295,
294, 503, 504

[56] References Cited

U.S. PATENT DOCUMENTS

1,211,566 1/1917 Fortney 56/295 X
2,509,343 5/1950 Henderson 56/289 X

FOREIGN PATENT DOCUMENTS

1320331 6/1973 United Kingdom 72/123

Primary Examiner—Peter Feldman

Attorney, Agent, or Firm—Biebel, French & Nauman

[57] CLAIM

The ornamental design for a blade for a cultivator,
substantially as shown and described.

DESCRIPTION

FIG. 1 is a top, front, left side perspective view of a
blade for a cultivator showing our new design;

FIG. 2 is a top plan view thereof;

FIG. 3 is an end elevational view thereof, the opposite
end being a mirror image of the end shown; and

FIG. 4 is a front elevational view thereof.

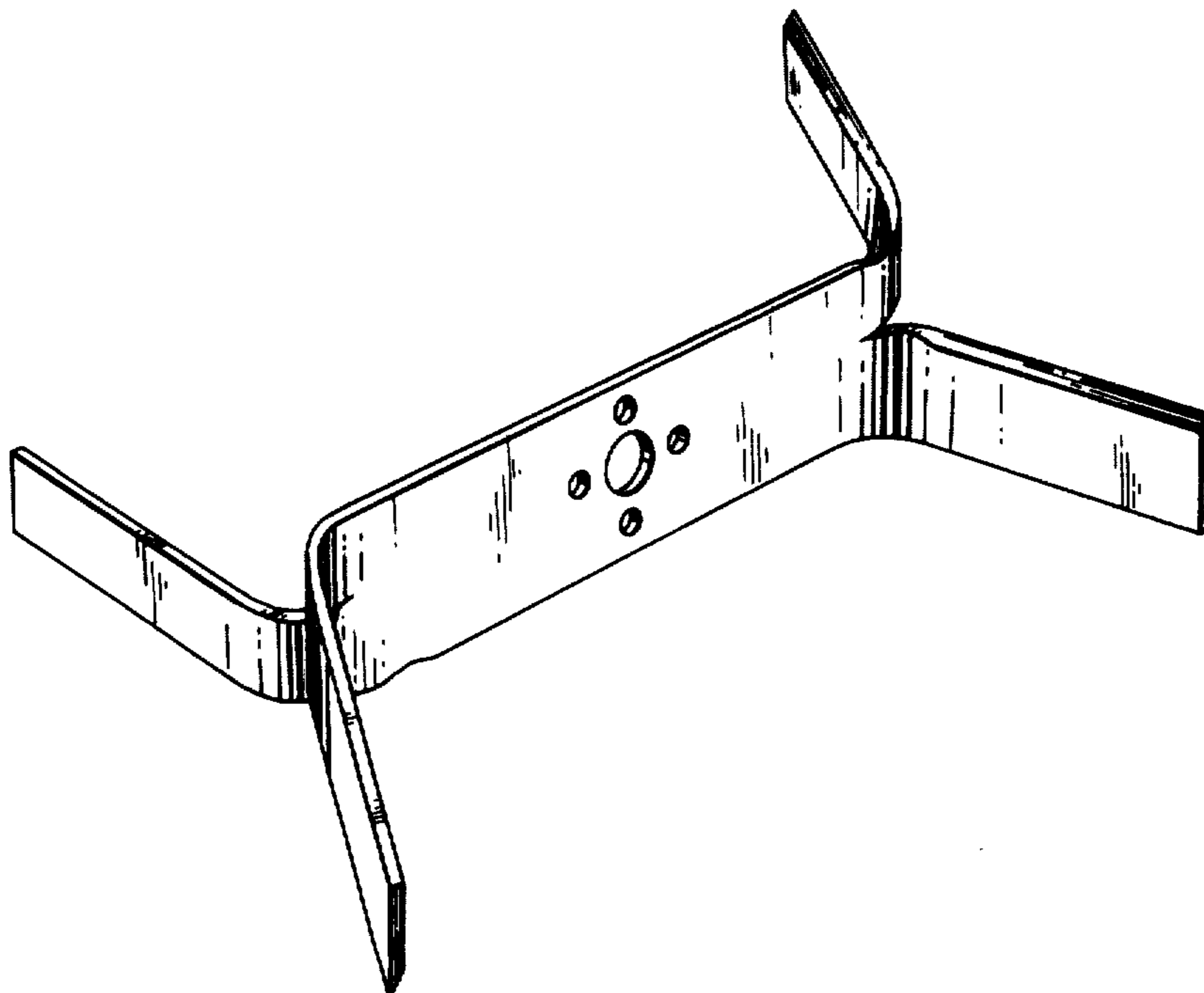


FIG. 1

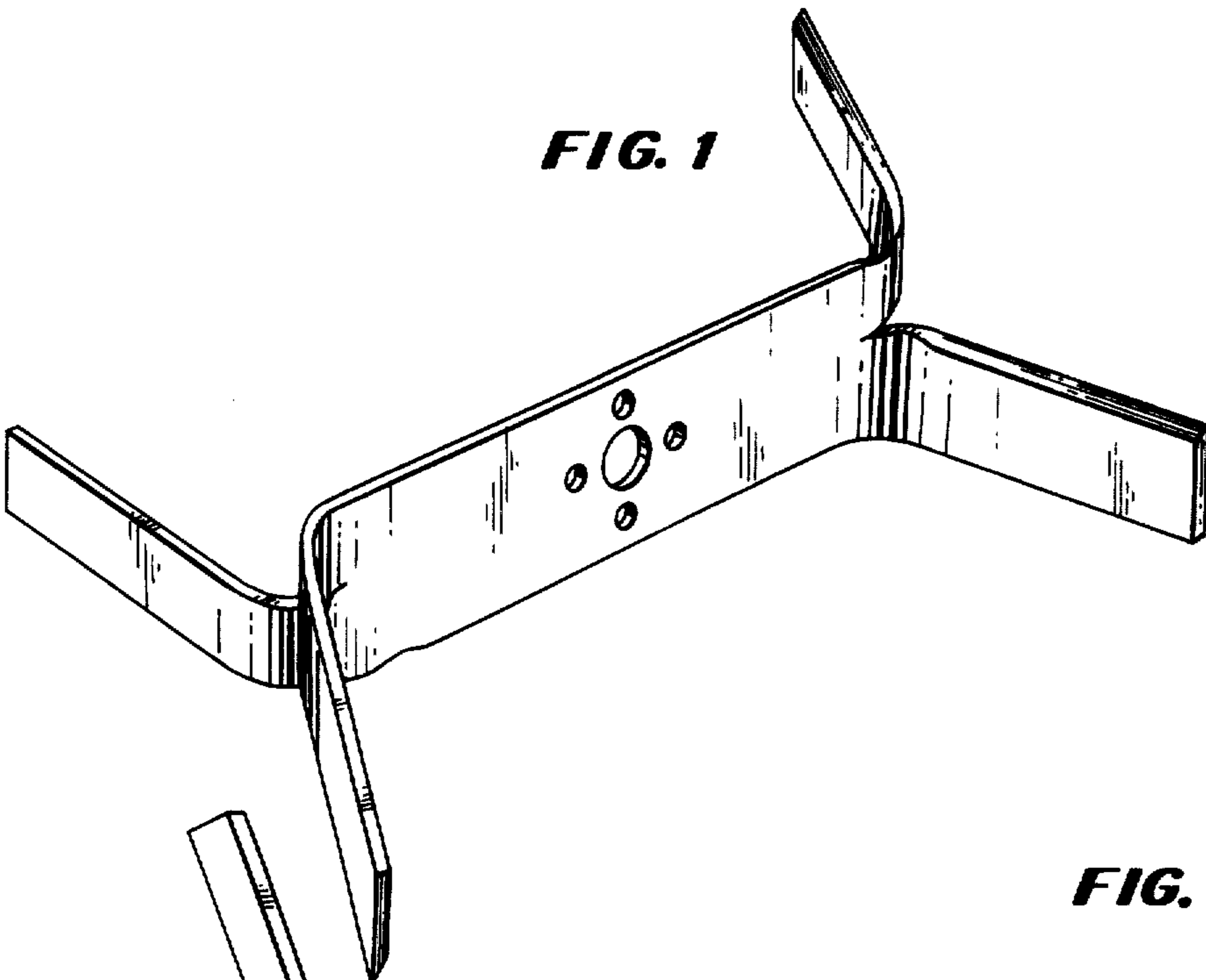


FIG. 2

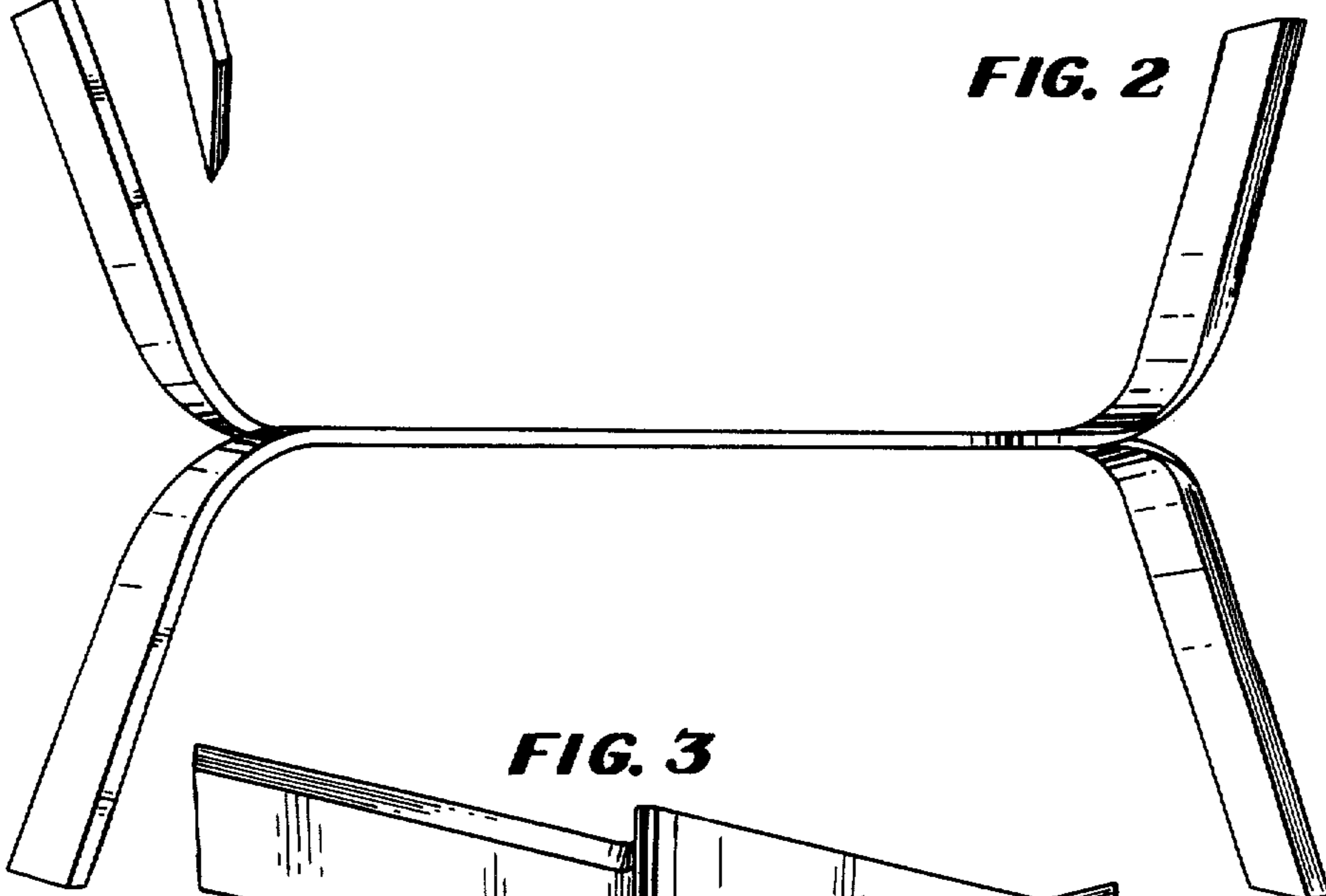


FIG. 3

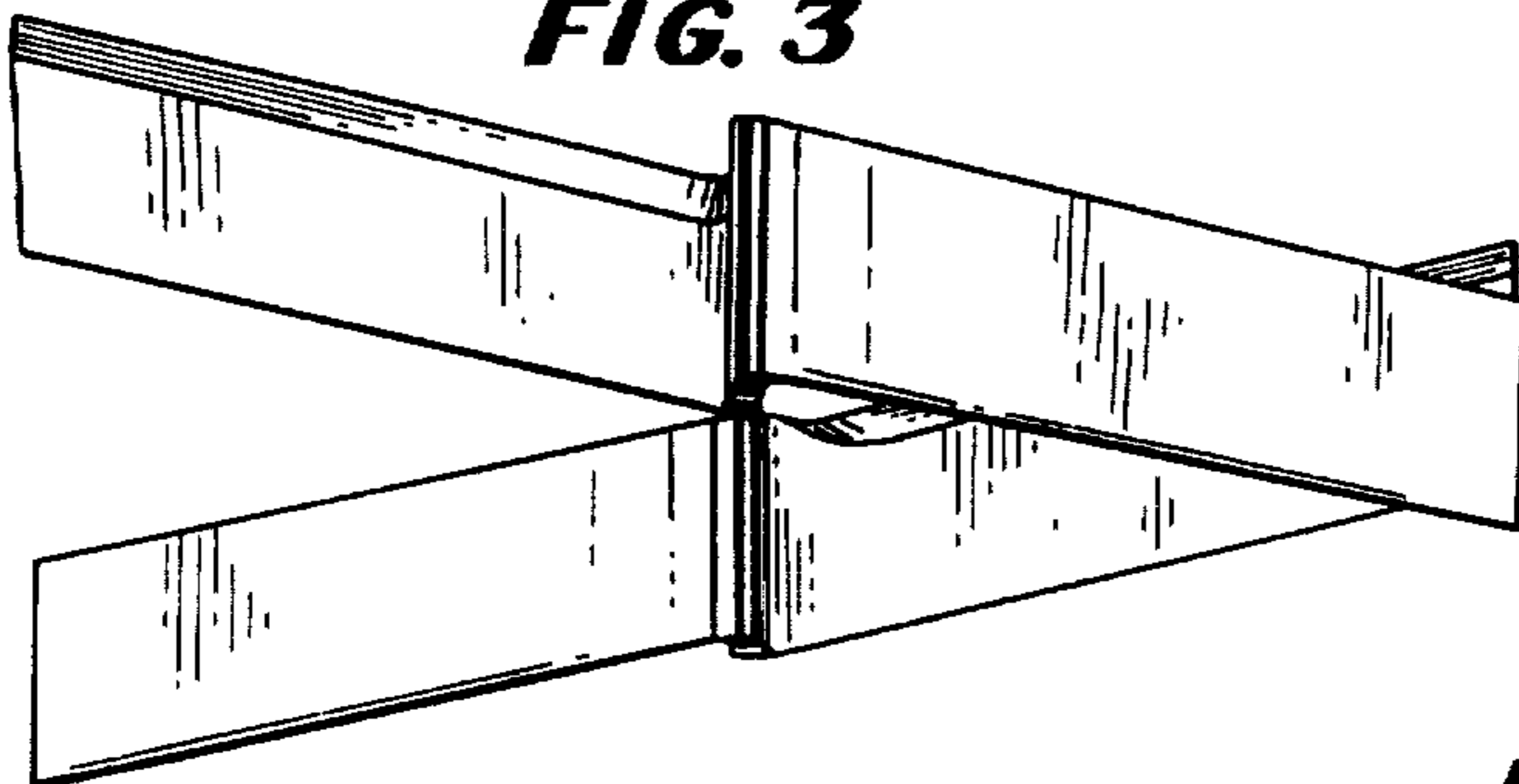


FIG. 4

