

[54] HOUSING FOR AN ELECTRIC OUTBOARD MOTOR

4,099,478 7/1978 Alexander, Jr. 440/6

[76] Inventor: Chris S. Kappas, 5120 Darby Pl., Racine, Wis. 53401

Primary Examiner—James M. Gandy
Attorney, Agent, or Firm—James E. Nilles

[**] Term: 14 Years

[57] CLAIM

[21] Appl. No.: 23,080

The ornamental design for a housing for an electric outboard motor, substantially as shown and described.

[22] Filed: Mar. 23, 1979

DESCRIPTION

[51] Int. Cl. D13-01

FIG. 1 is a right side elevational view of housing for an electric outboard motor, the opposite side is a mirror image thereof;

[52] U.S. Cl. D15/4

FIG. 2 is a top plan view thereof;

[58] Field of Search D15/4; 400/6, 900

FIG. 3 is a bottom plan view thereof;

[56] References Cited

FIG. 4 is a rear elevational view thereof;

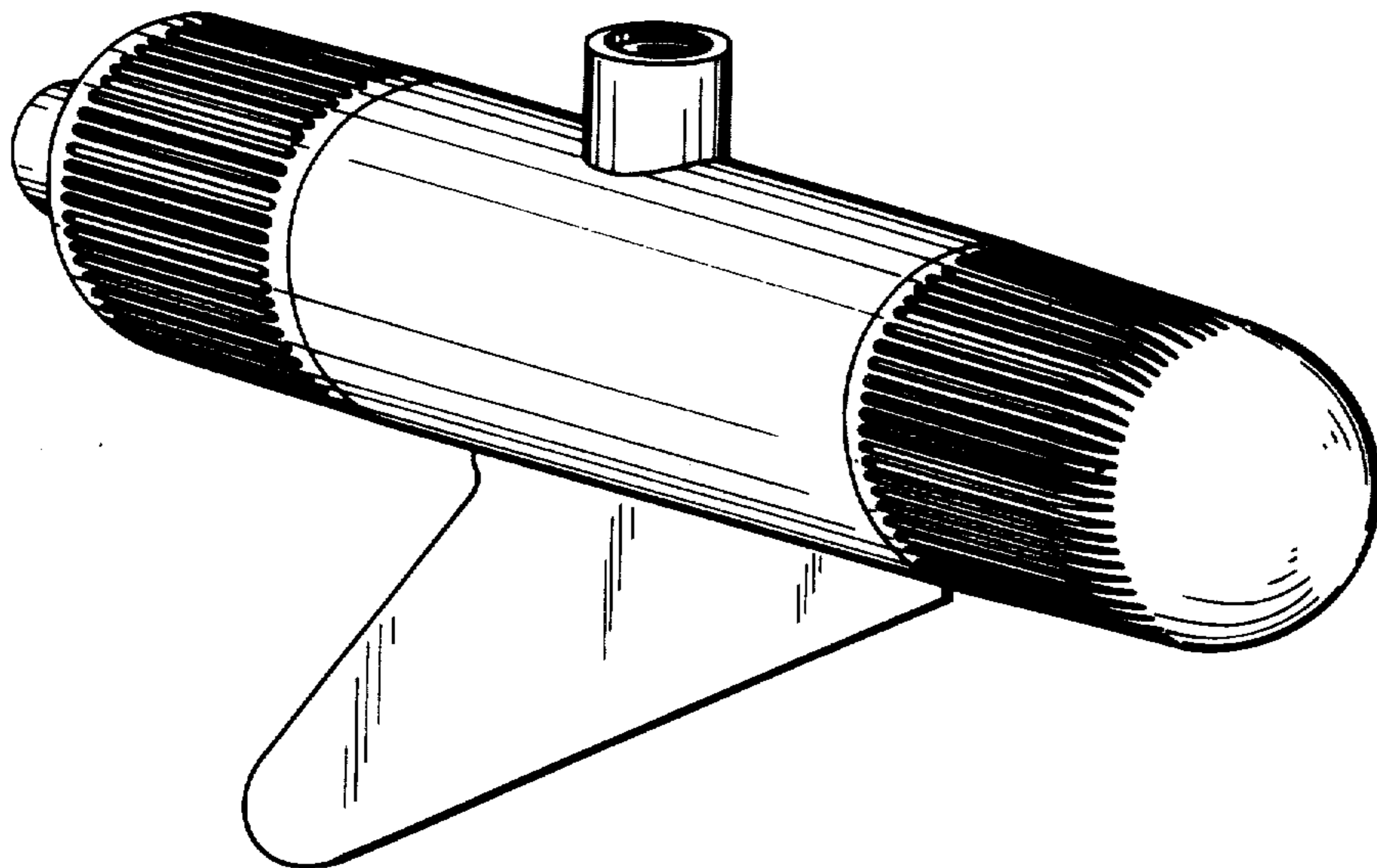
U.S. PATENT DOCUMENTS

FIG. 5 is a front elevational view thereof; and

3,593,050 7/1971 Ware 440/900

FIG. 6 is a perspective view thereof, the view being taken generally from the right front upper side.

3,980,039 9/1976 Henning 440/6



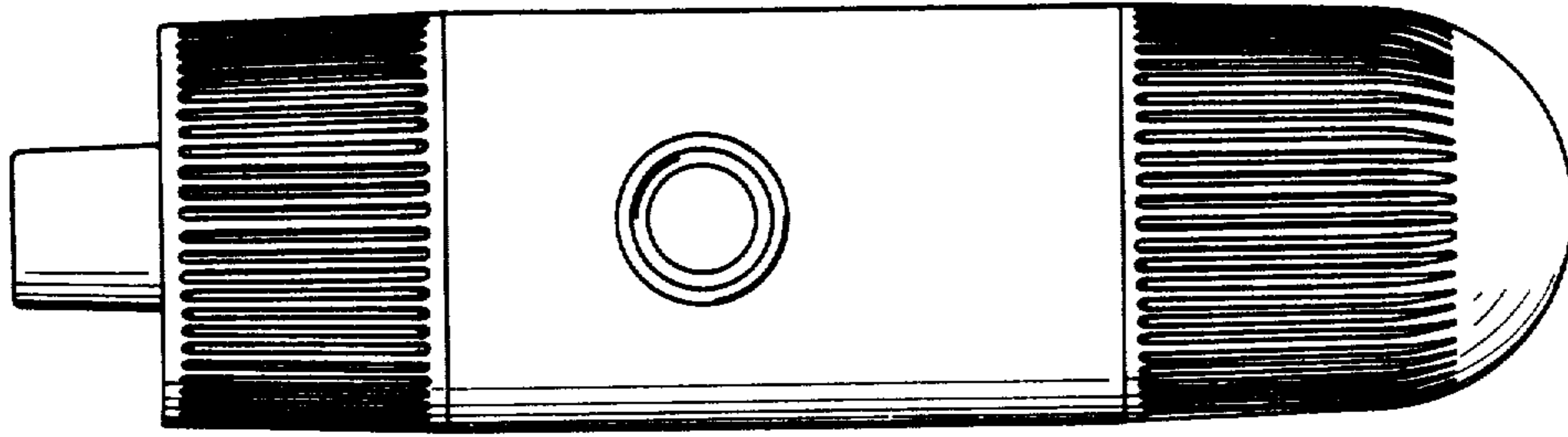


FIG. 2

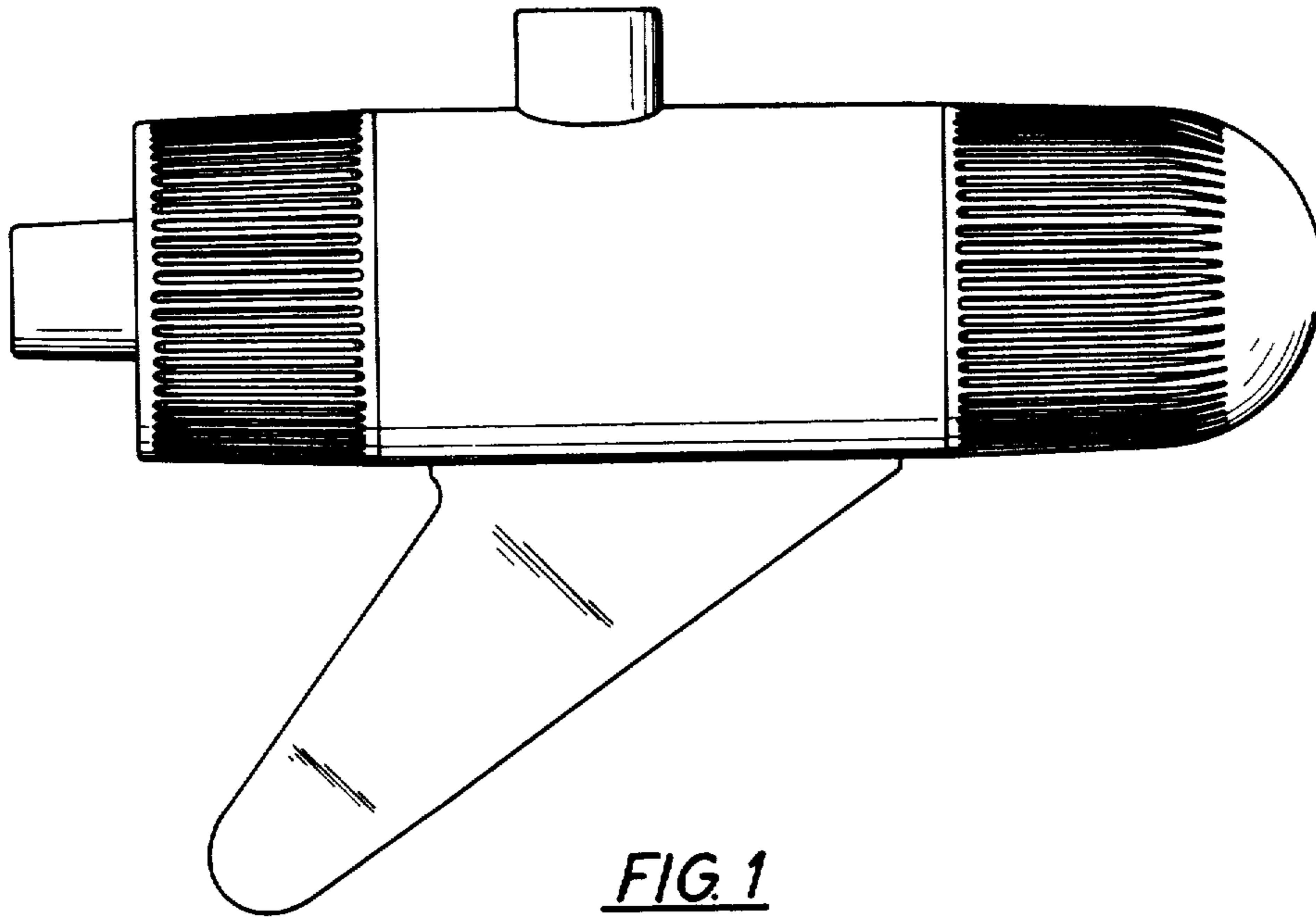


FIG. 1

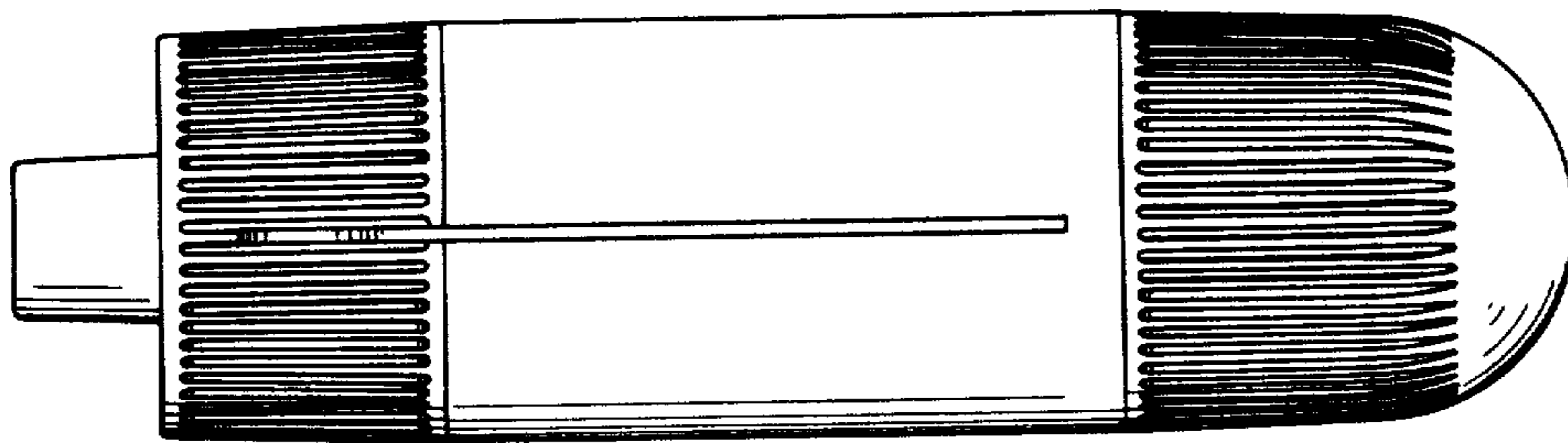


FIG. 3

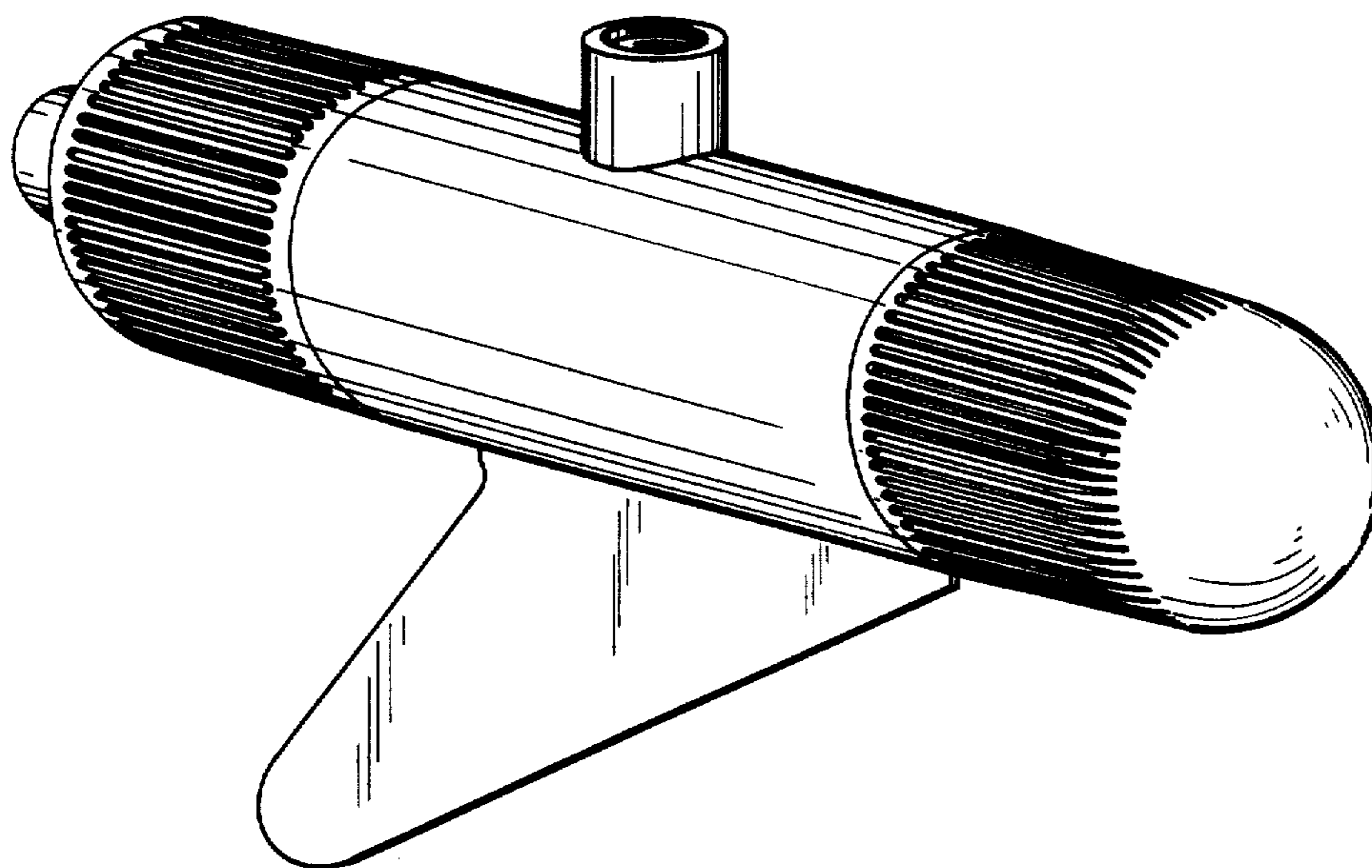


FIG. 6

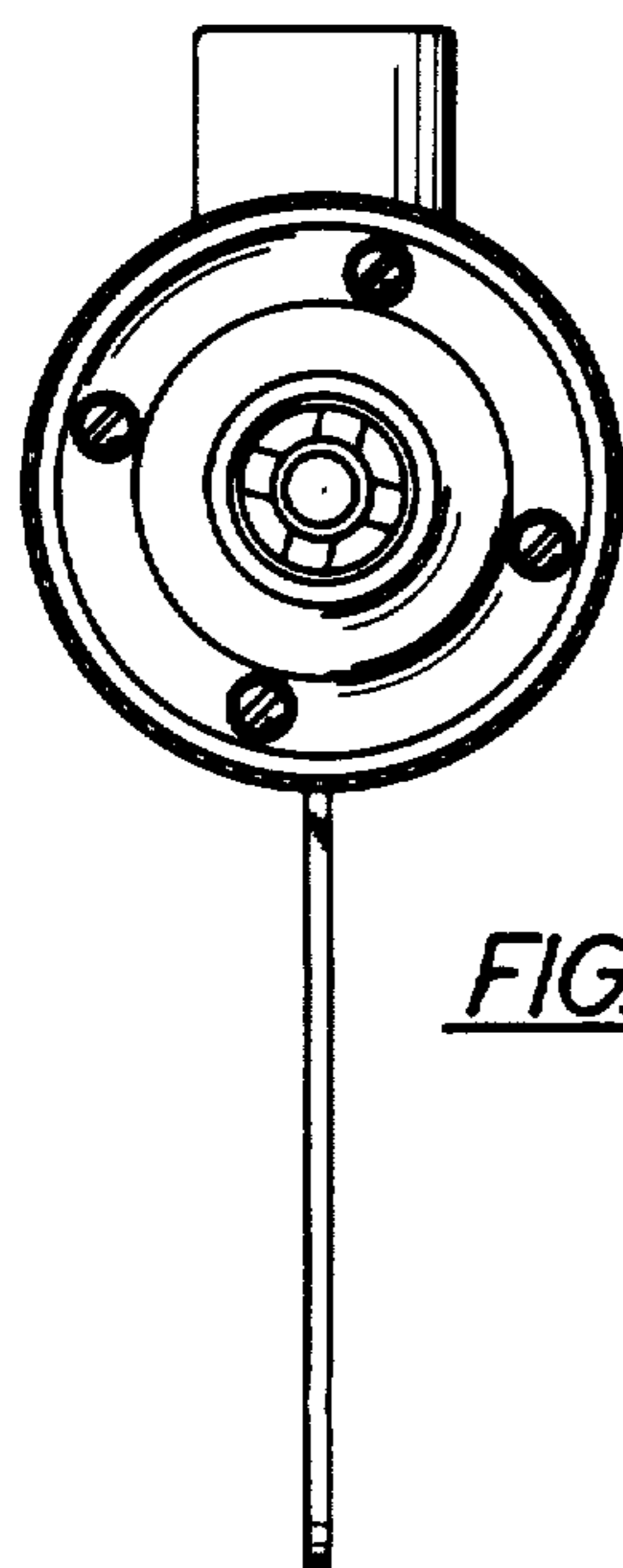


FIG. 4

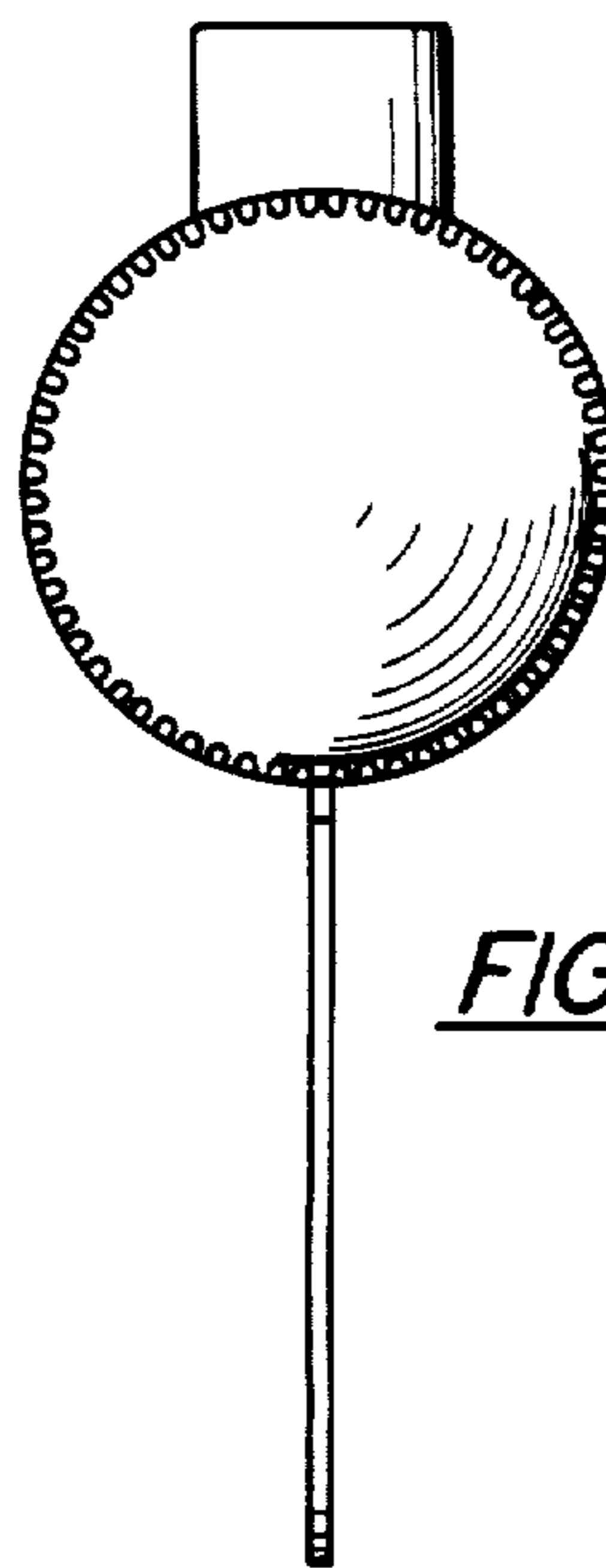


FIG. 5