

[54] POWER HANDLE FOR LINE TRIMMER AND THE LIKE

[75] Inventor: Lloyd H. Tuggle, Shreveport, La.

[73] Assignee: Beaird-Poulan Division of Emerson Electric, Shreveport, La.

[**] Term: 14 Years

[21] Appl. No.: 944,600

[22] Filed: Sep. 18, 1978

[51] Int. Cl. D15-01

[52] U.S. Cl. D15/1; D8/8

[58] Field of Search D15/1, 5; D8/8; 30/276; 123/195 R

[56] References Cited

U.S. PATENT DOCUMENTS

D. 238,103	12/1975	Tuggle	D15/1
4,188,719	2/1980	Hoff	30/276

OTHER PUBLICATIONS

Poulan Flex Trim Brochures, ©2/78, Model GFT-800 & GFT-900.

Primary Examiner—James M. Gandy
Attorney, Agent, or Firm—Hubbard, Thurman, Turner, Tucker & Glaser

[57] CLAIM

The ornamental design for a power handle for line trimmer and the like, as shown and described.

DESCRIPTION

FIG. 1 is a perspective view showing the rear and left hand side of a power handle for line trimmer and the like;

FIG. 2 is a perspective view showing the front and right hand side thereof;

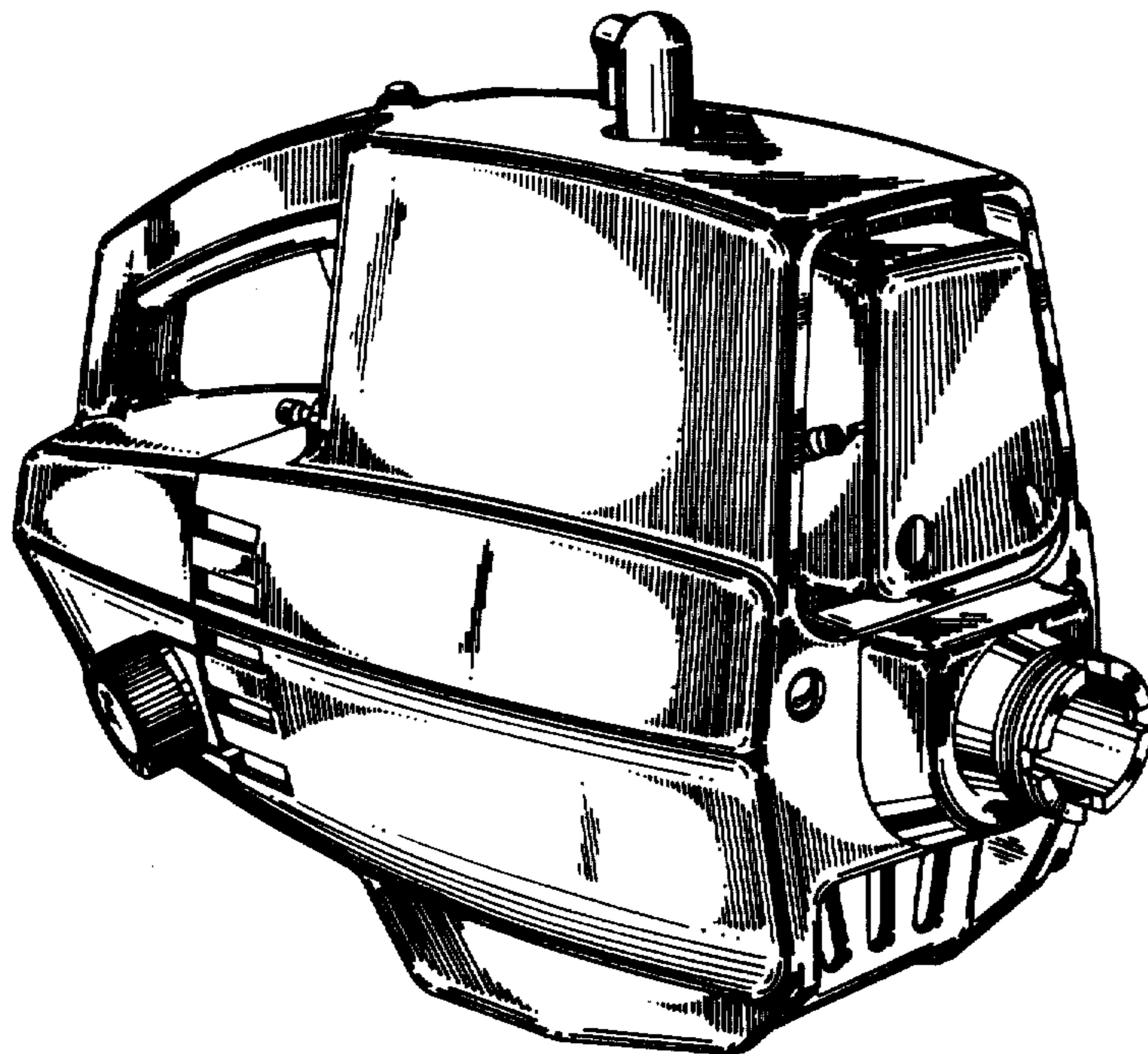
FIG. 3 is an elevational view of the right hand side thereof on a reduced scale;

FIG. 4 is an elevational view of the front thereof on a reduced scale;

FIG. 5 is an elevational view of the left hand side thereof on a reduced scale;

FIG. 6 is an elevational view of the rear end thereof on a reduced scale;

FIG. 7 is a top plan view thereof on a reduced scale; and FIG. 8 is a bottom plan view thereof on a reduced scale.



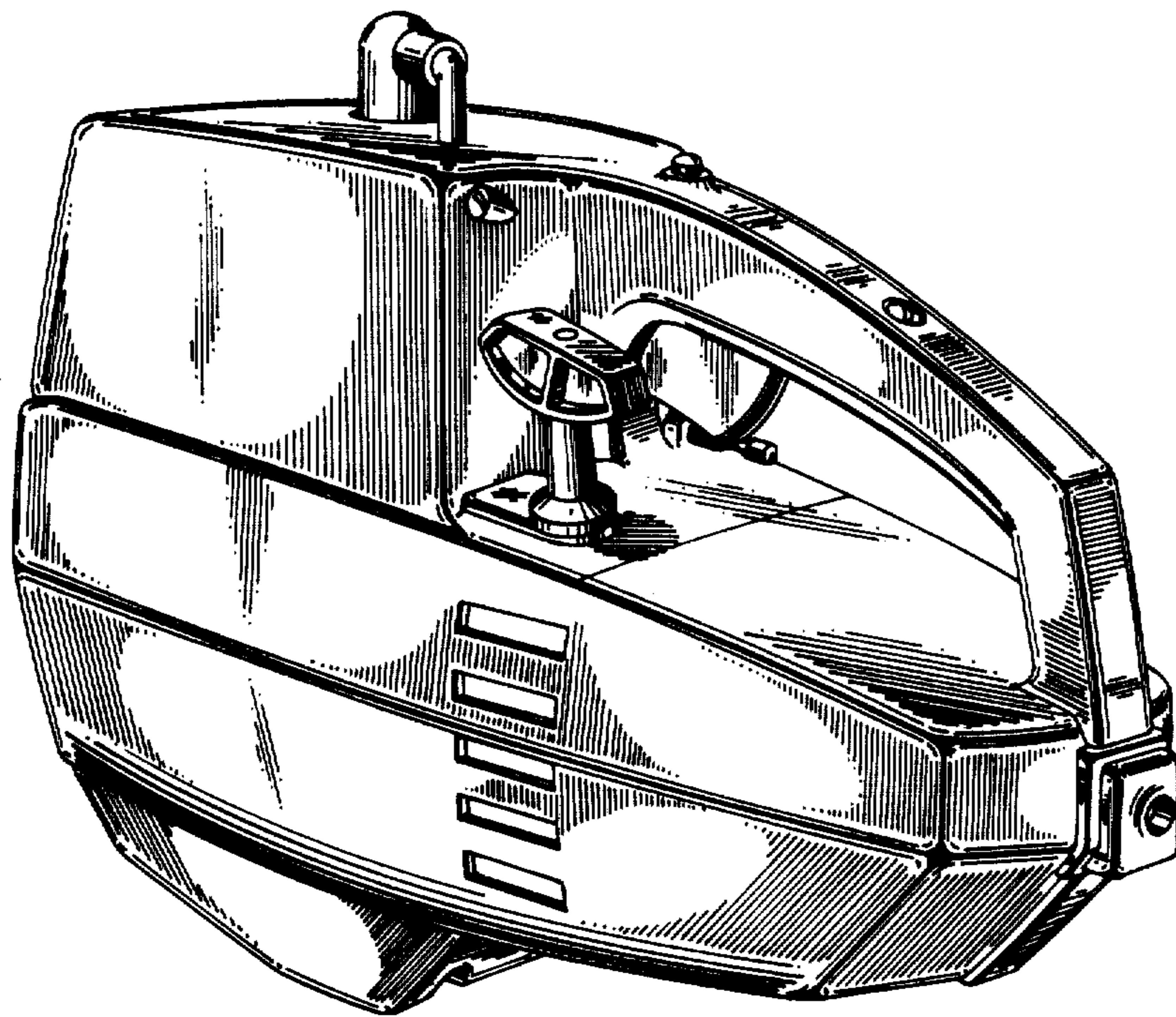


FIG. 1

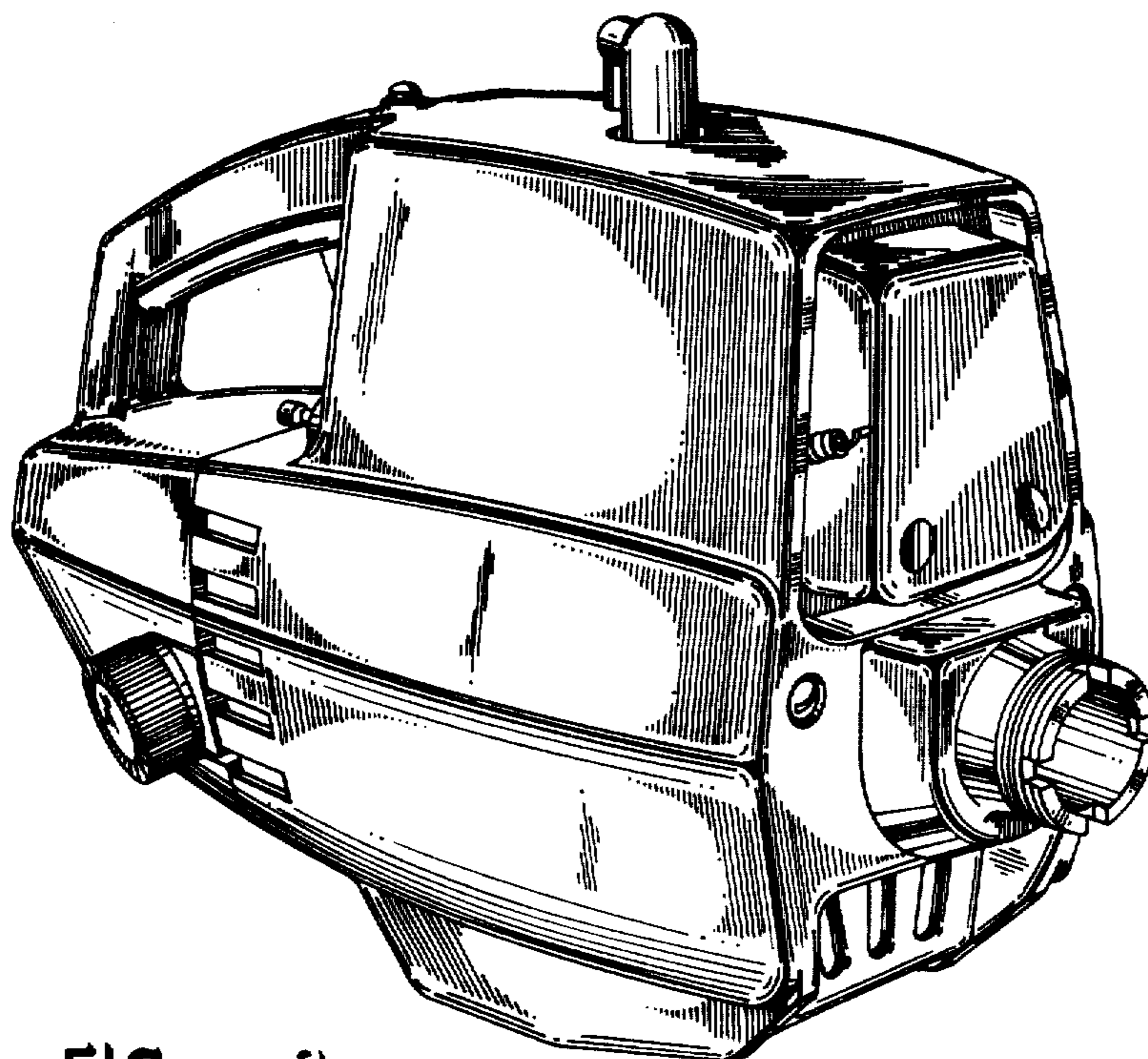


FIG. 2

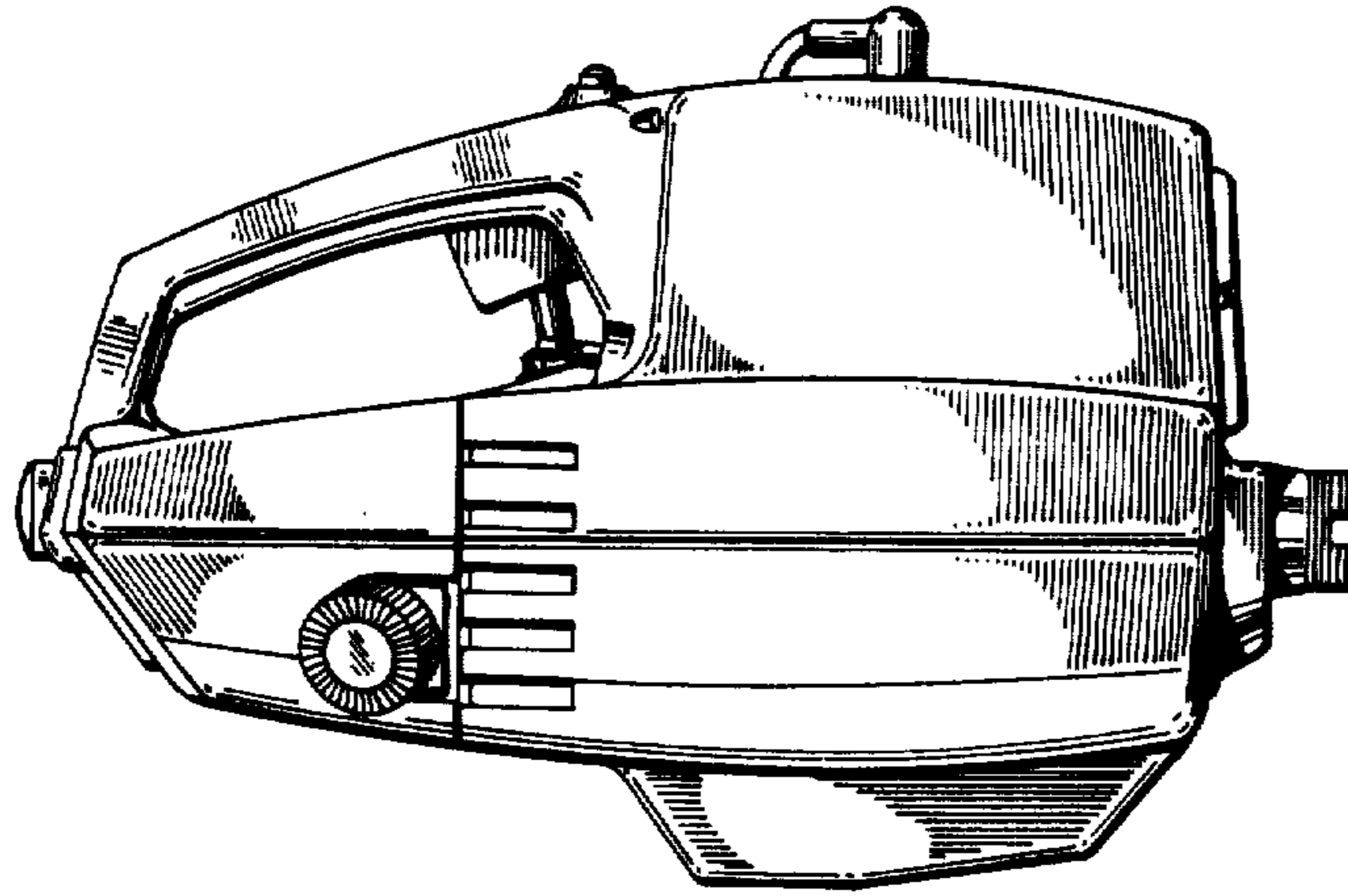


FIG. 3

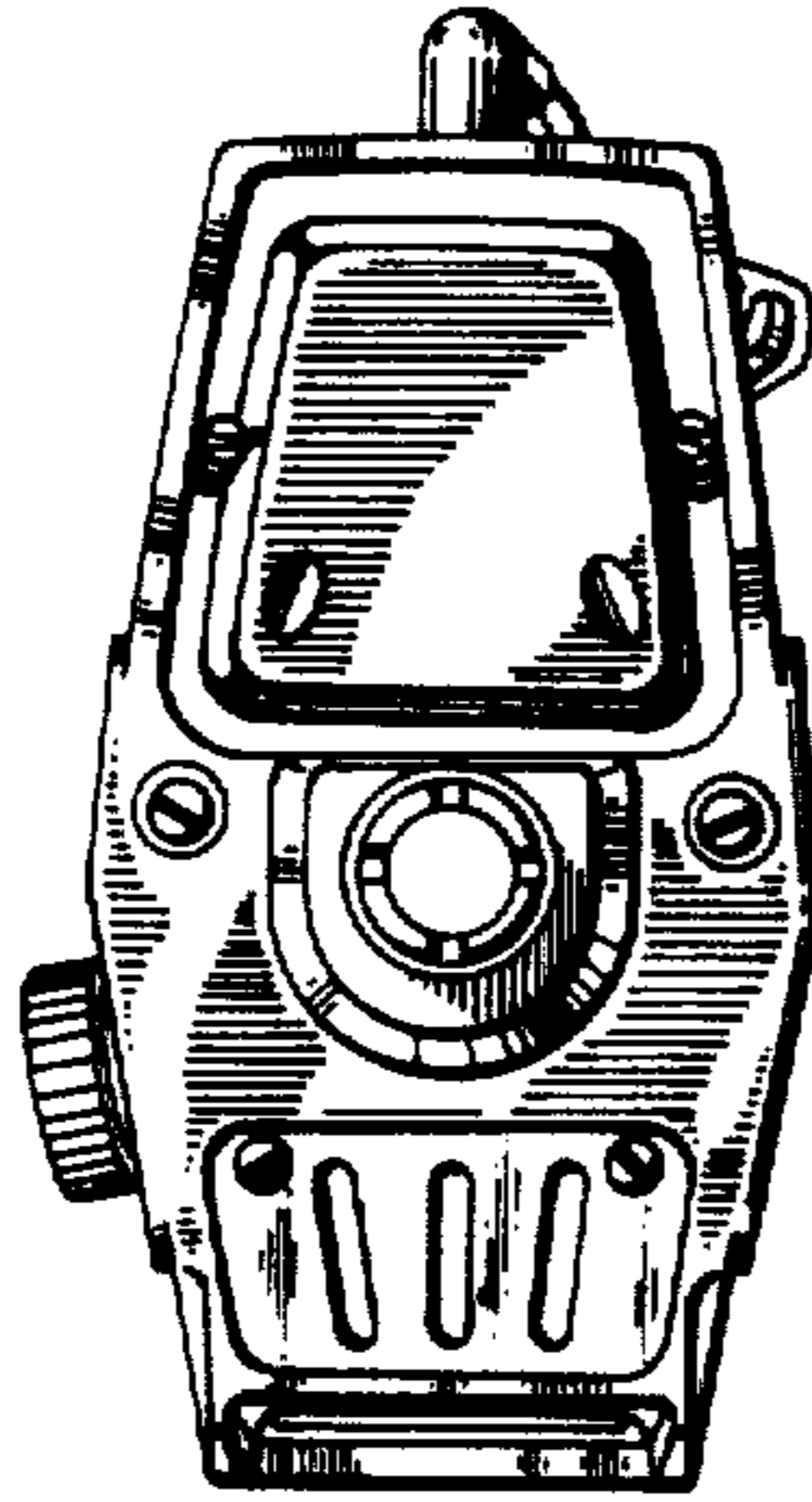


FIG. 4

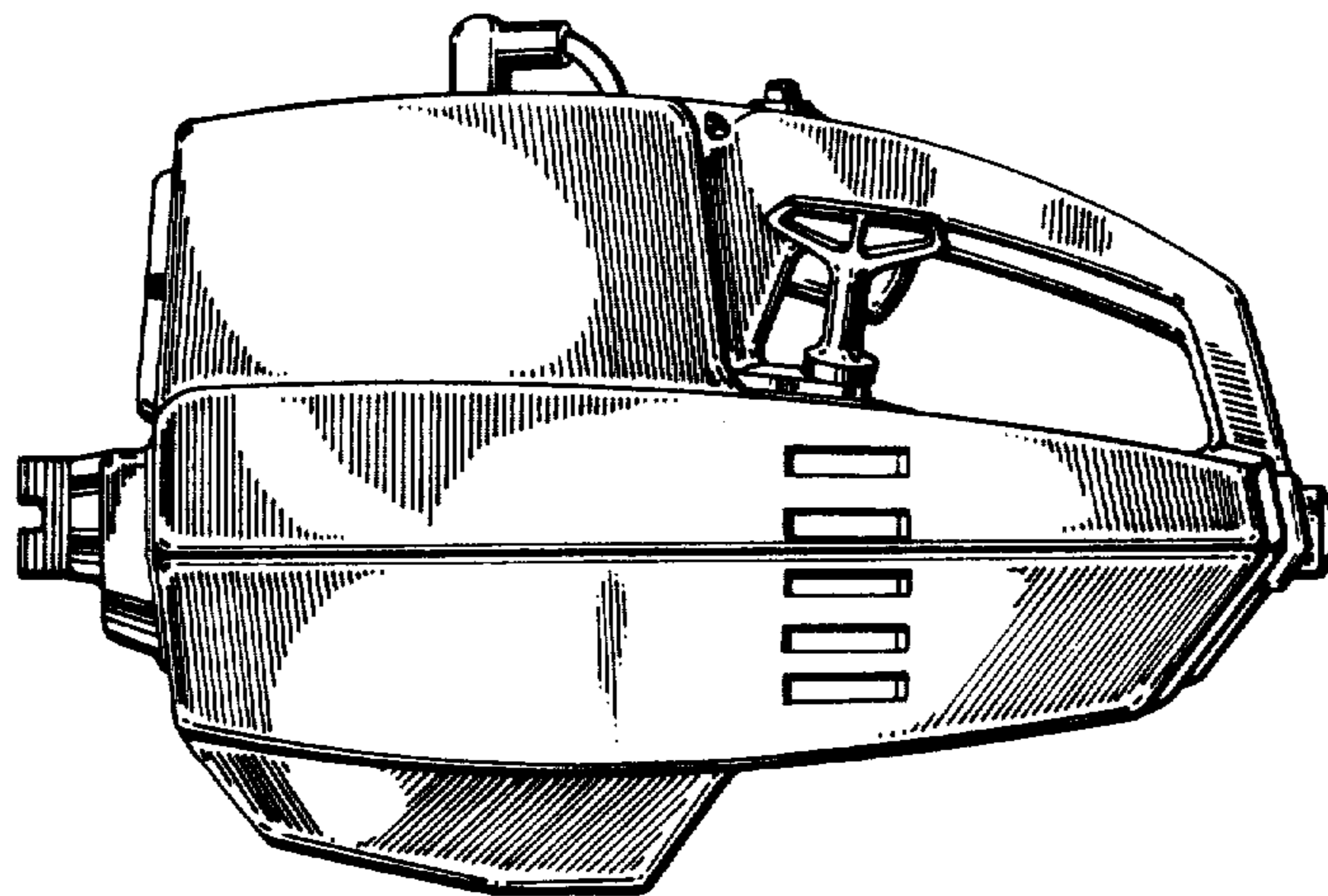


FIG. 5

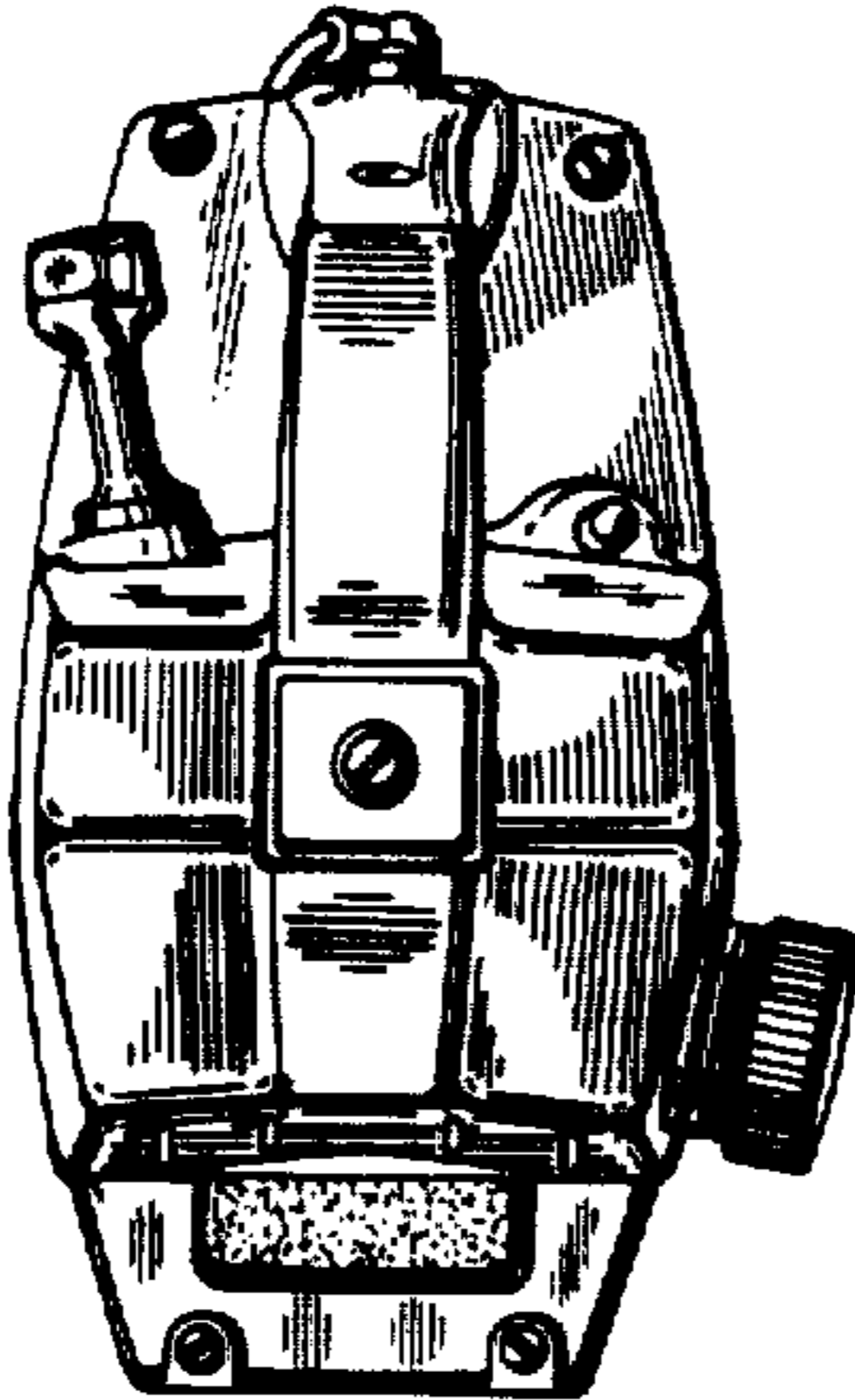


FIG. 6

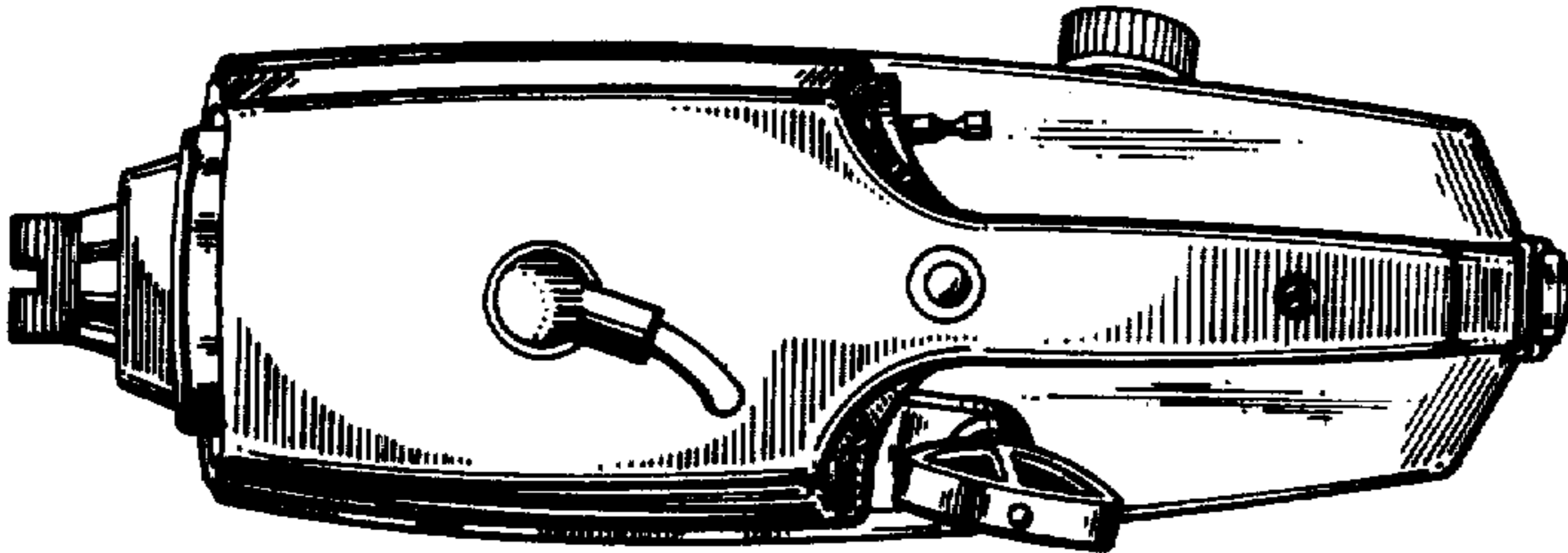


FIG. 7

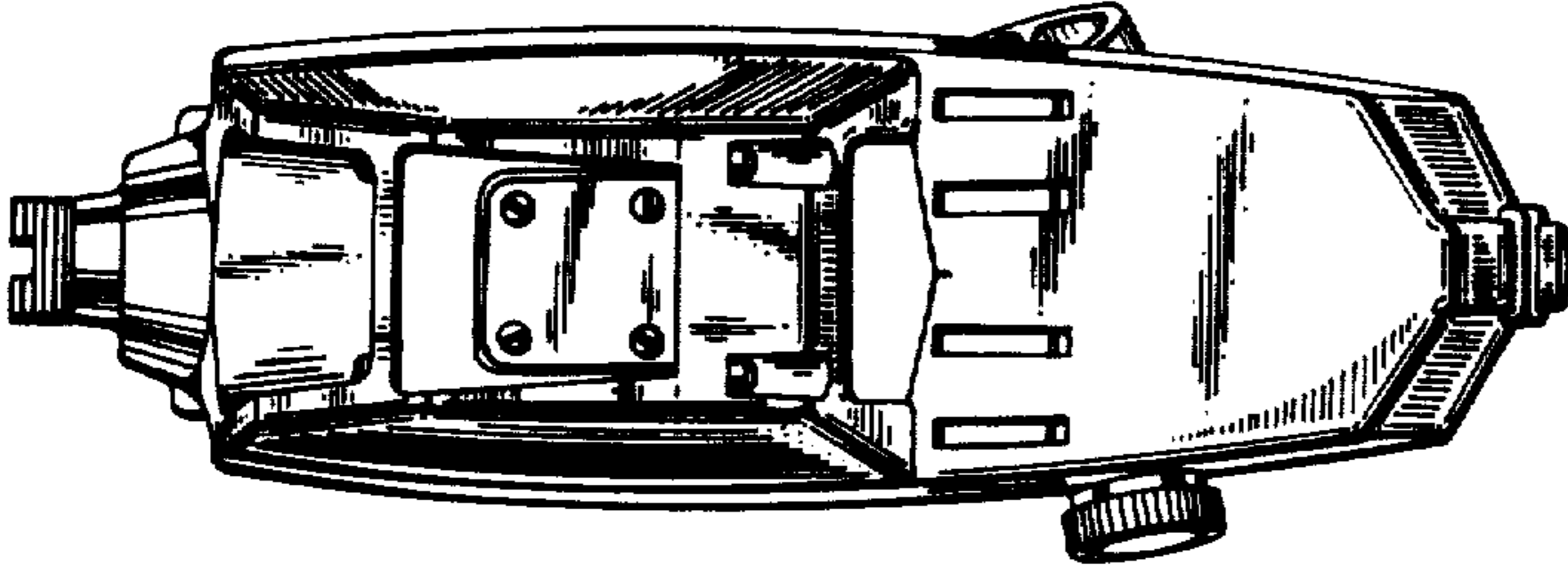


FIG. 8