

[54] **HEAT SINK OR SIMILAR APPARATUS**

[75] **Inventor:** David H. Kennington, Highland Park, Tex.

[73] **Assignee:** Thermalloy Incorporated, Dallas, Tex.

[**] **Term:** 14 Years

[21] **Appl. No.:** 86,633

[22] **Filed:** Oct. 22, 1979

[51] **Int. Cl.** D13—99

[52] **U.S. Cl.** D13/23

[58] **Field of Search** D13/23; 174/16 HS; 165/80, 80 A, 80 B; 357/81

[56] **References Cited**

U.S. PATENT DOCUMENTS

3,670,215 6/1972 Wilkens et al. 357/81
4,054,901 10/1977 Edwards et al. 357/81

OTHER PUBLICATIONS

Allied Electronics 1975 Engineering Manual & Purchasing Guide #750, p. 50—Power Circuit Board Cooler #6034B.

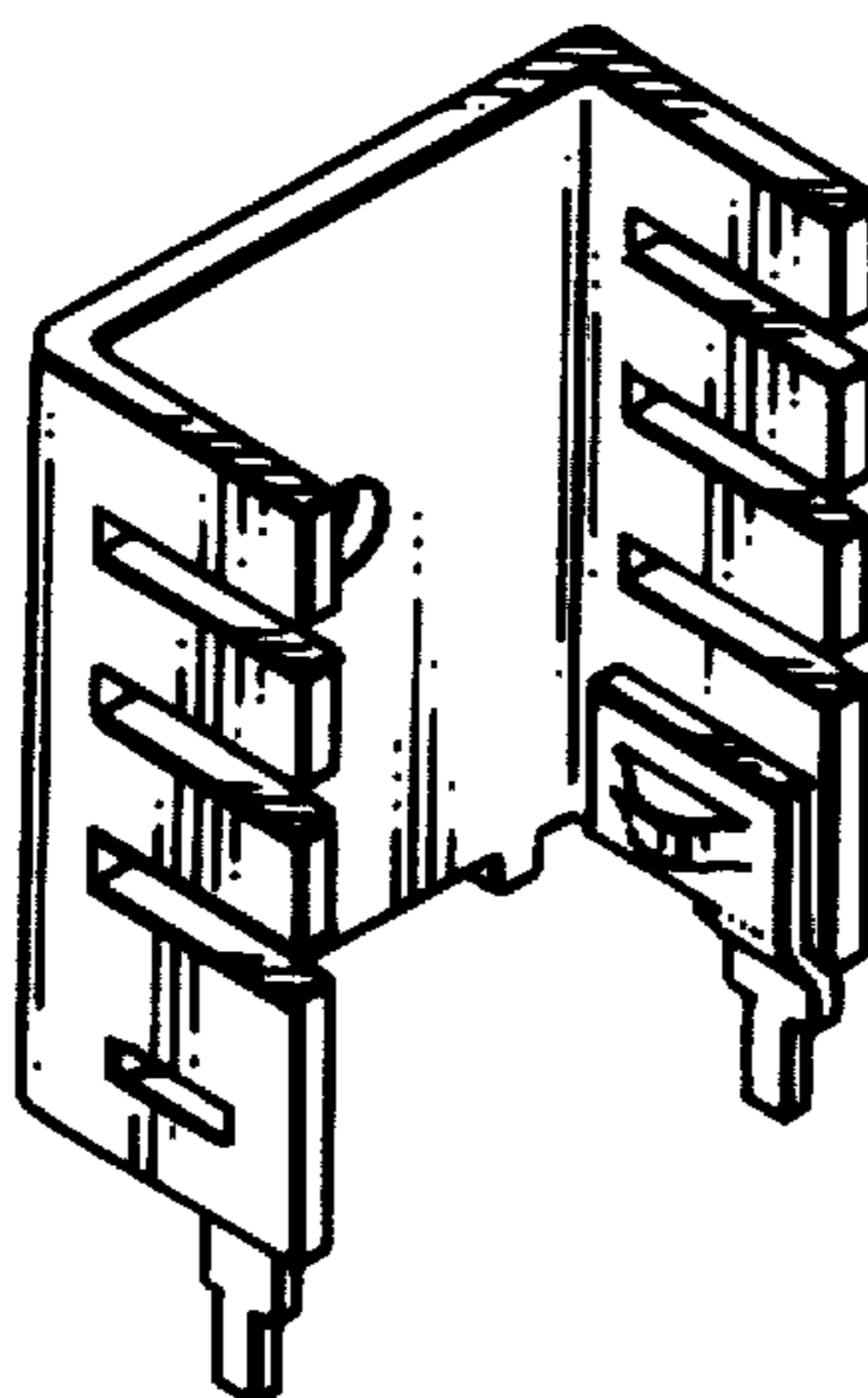
Primary Examiner—Susan J. Lucas
Attorney, Agent, or Firm—Kanz & Timmons

[57] **CLAIM**

The ornamental design for a heat sink or similar apparatus, substantially as shown.

DESCRIPTION

FIG. 1 is a perspective view of a heat sink or similar apparatus showing my new design; FIG. 2 is a front elevational view thereof; FIG. 3 is a rear elevational view thereof; FIG. 4 is a side elevational view thereof; FIG. 5 is a side elevational view of the opposite side thereof; FIG. 6 is a bottom plan view thereof; and FIG. 7 is a top plan view of the heat sink or similar apparatus of my invention.



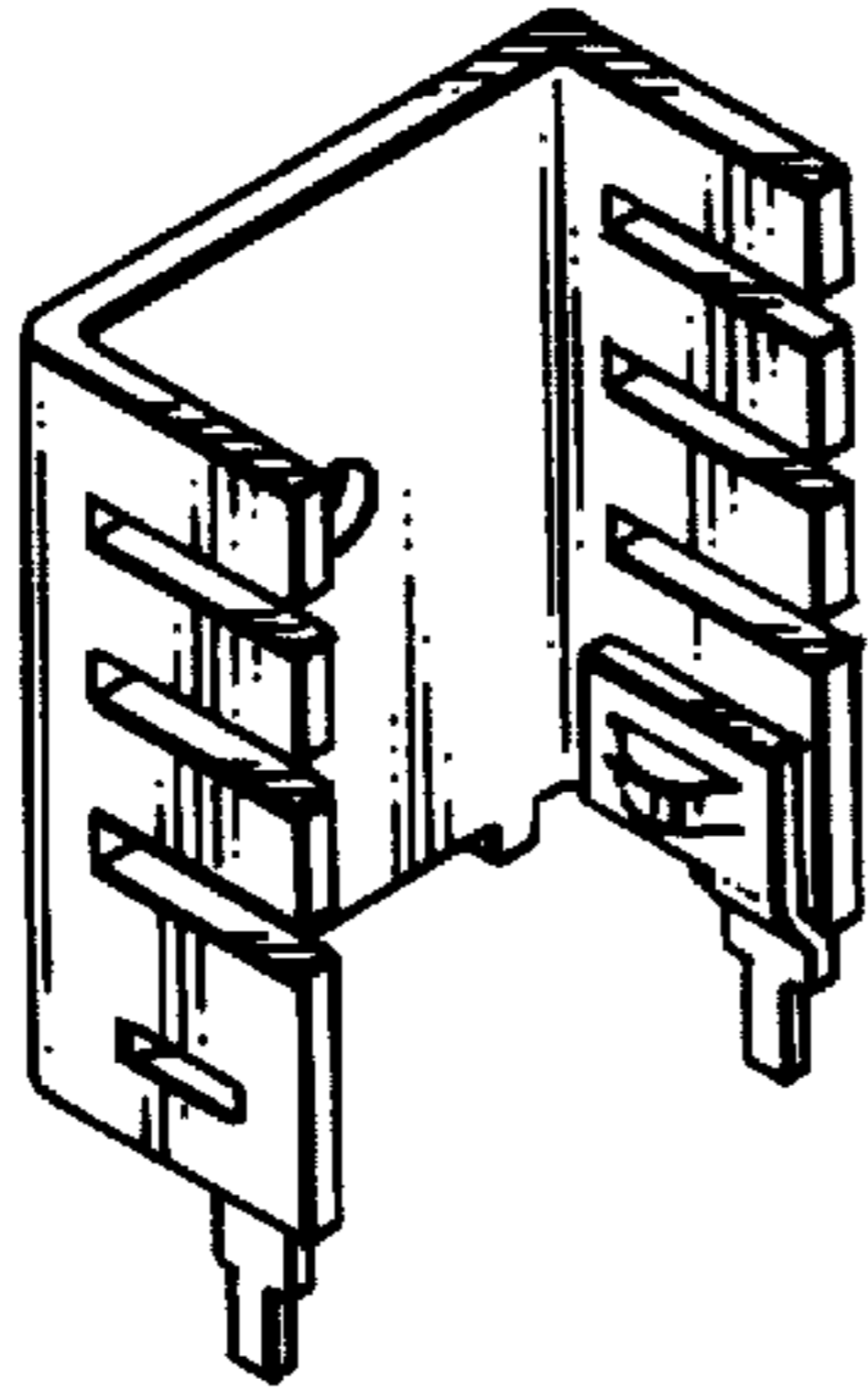


FIG. 1

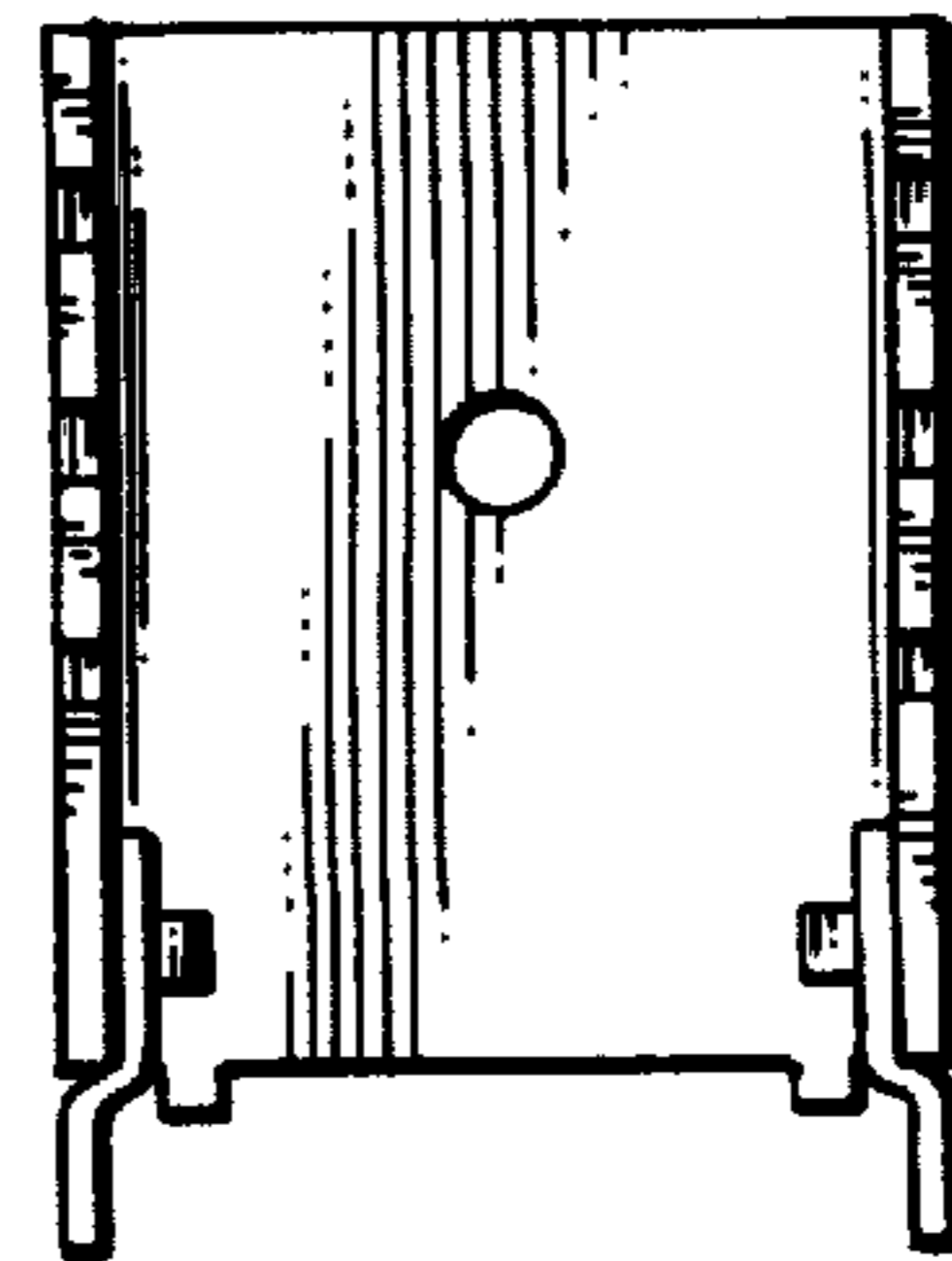


FIG. 2

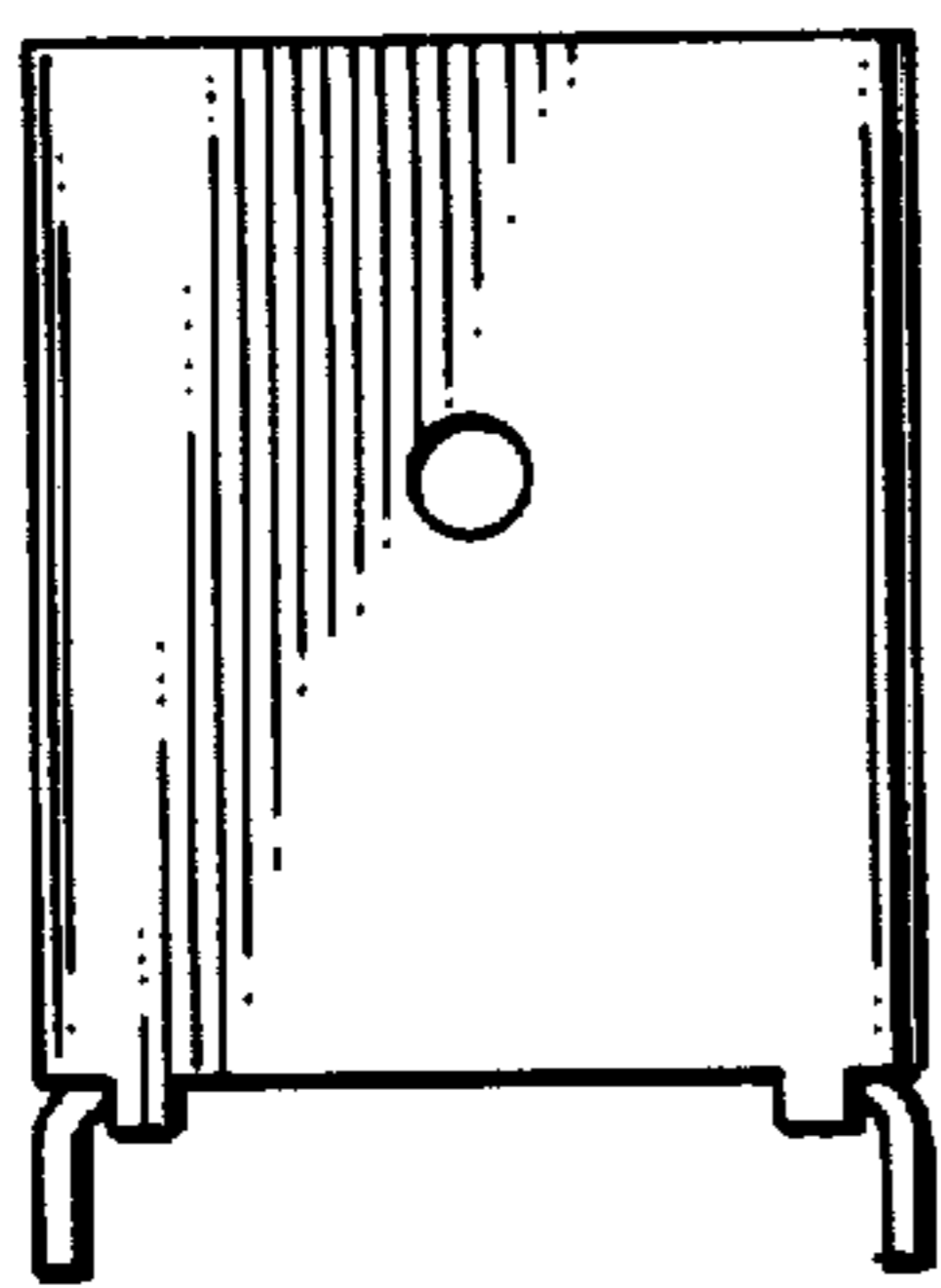


FIG. 3

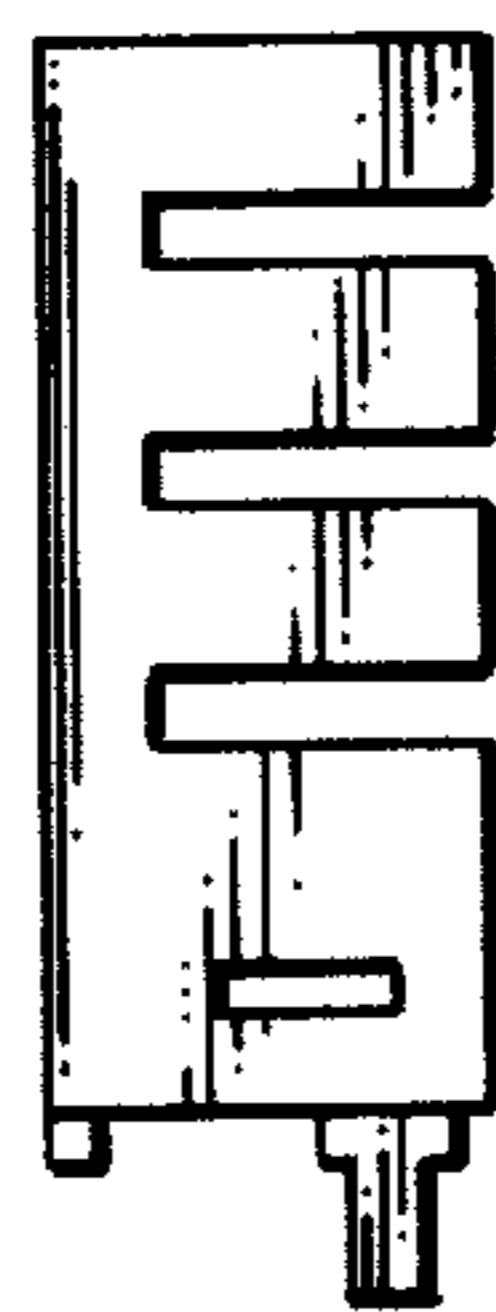


FIG. 4

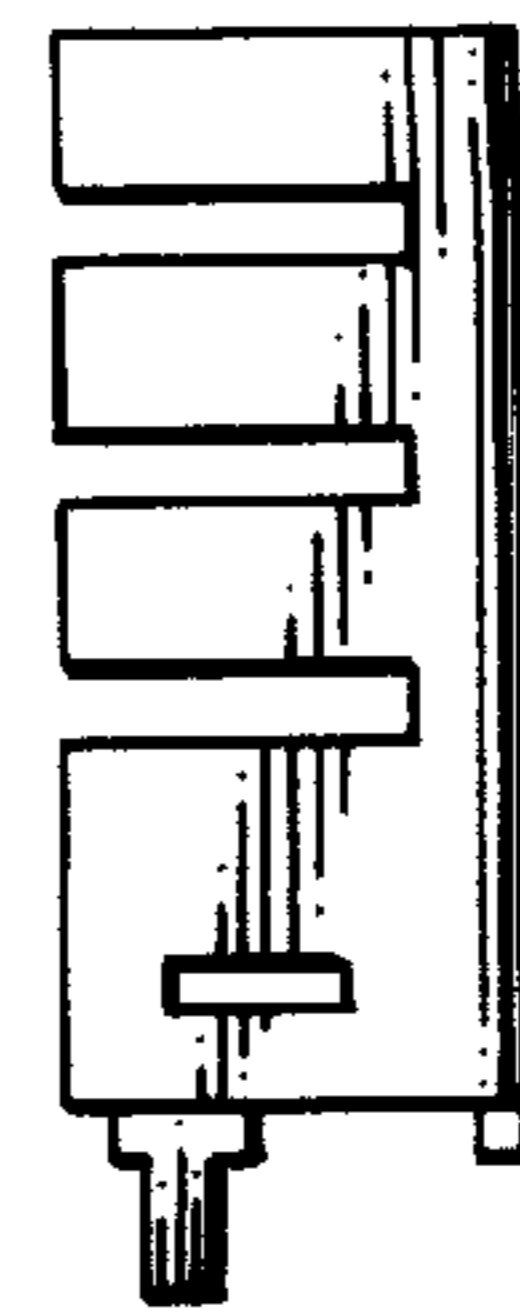


FIG. 5

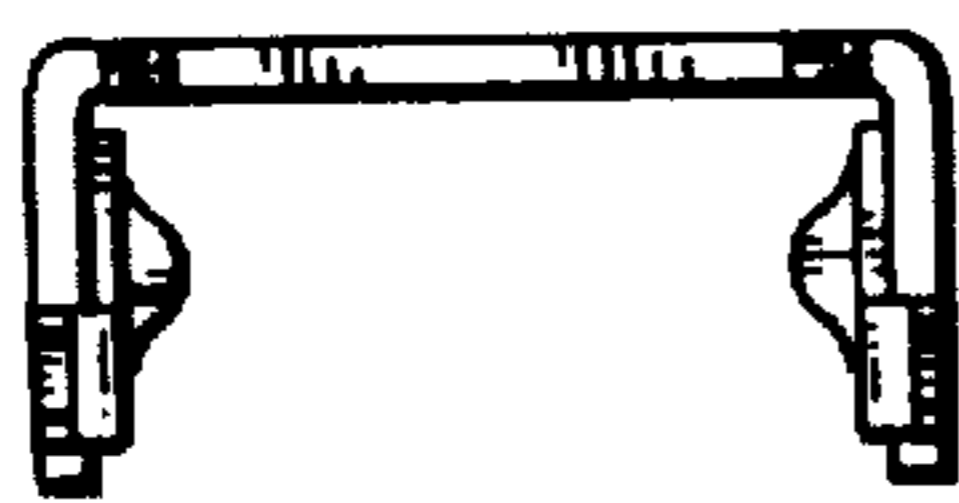


FIG. 6



FIG. 7