

[54] TRAILER JACK FOOT

[76] Inventor: Hugh M. Williams, 34 NE. 37, Oklahoma City, Okla. 73105

[**] Term: 14 Years

[21] Appl. No.: 22,912

[22] Filed: Mar. 22, 1979

[51] Int. Cl. D12-05

[52] U.S. Cl. D12/55

[58] Field of Search D12/106, 55; 248/352; 254/86 R, DIG. 1; 280/475

[56] References Cited

U.S. PATENT DOCUMENTS

D. 133,553 8/1942 Shreffler D12/55

D. 231,093 4/1974 Woldert, Jr. D12/55
3,329,402 7/1967 Grumman 254/86 R

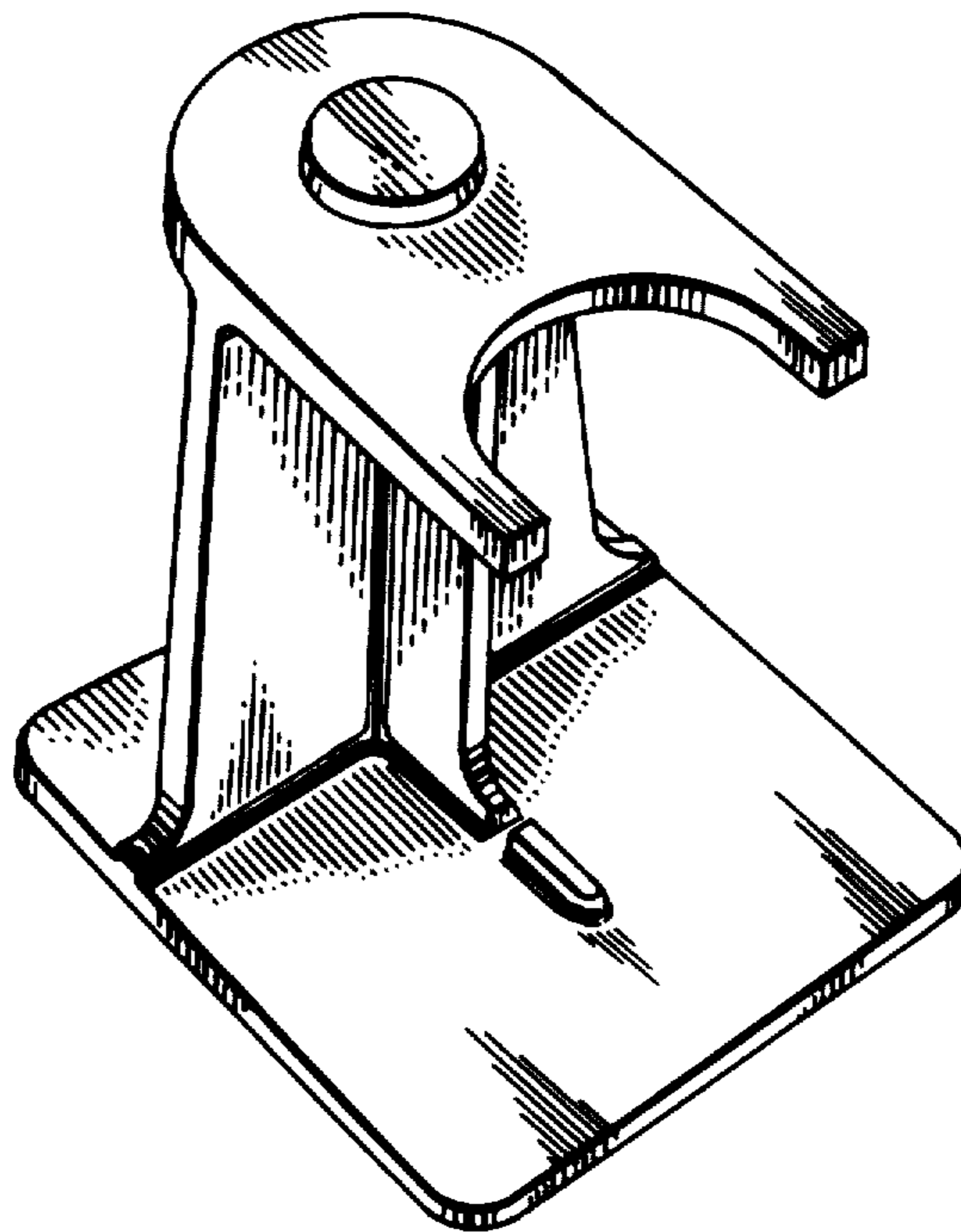
Primary Examiner—James M. Gandy
Attorney, Agent, or Firm—Robert K. Rhea

[57] CLAIM

The ornamental design for a trailer jack foot, as shown and described.

DESCRIPTION

FIG. 1 is a perspective view of a trailer jack foot showing my new design;
FIG. 2 is a side elevational view, the view from the opposite side being a mirror image thereof;
FIG. 3 is a top plan view;
FIG. 4 is a front elevational view; and,
FIG. 5 is a rear elevational view.
The bottom of the trailer is flat and unornamented.



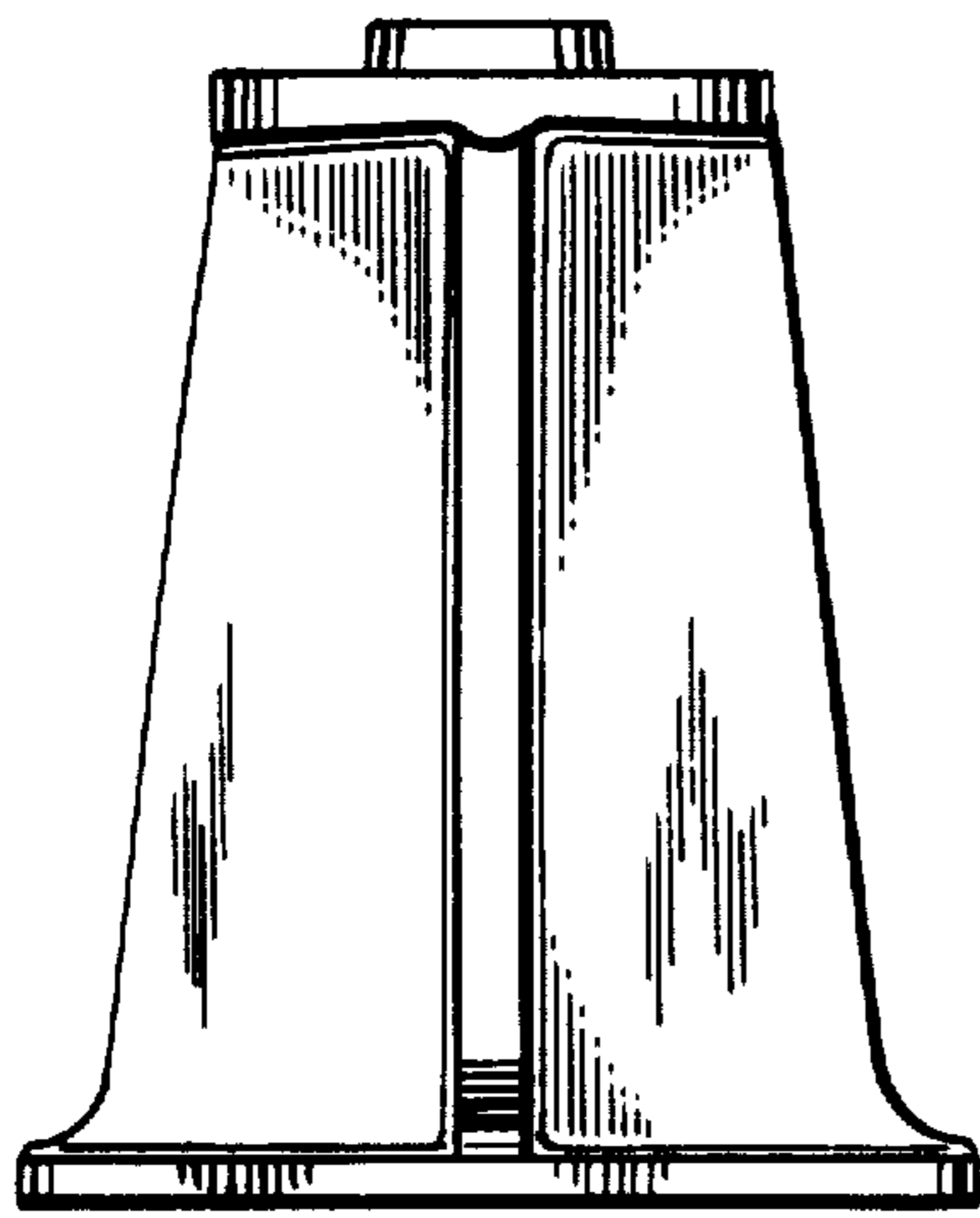


FIG. 5

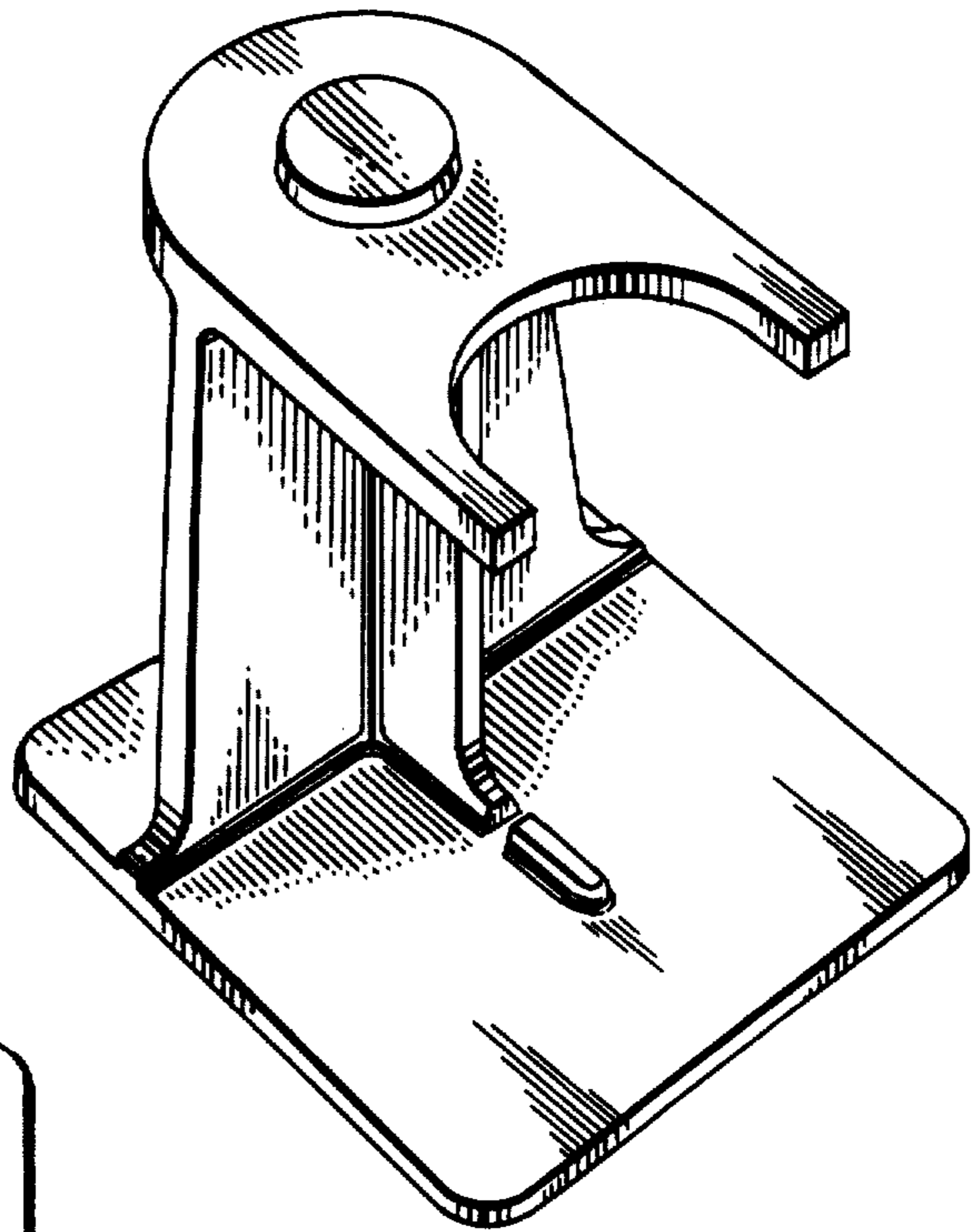


FIG. 1

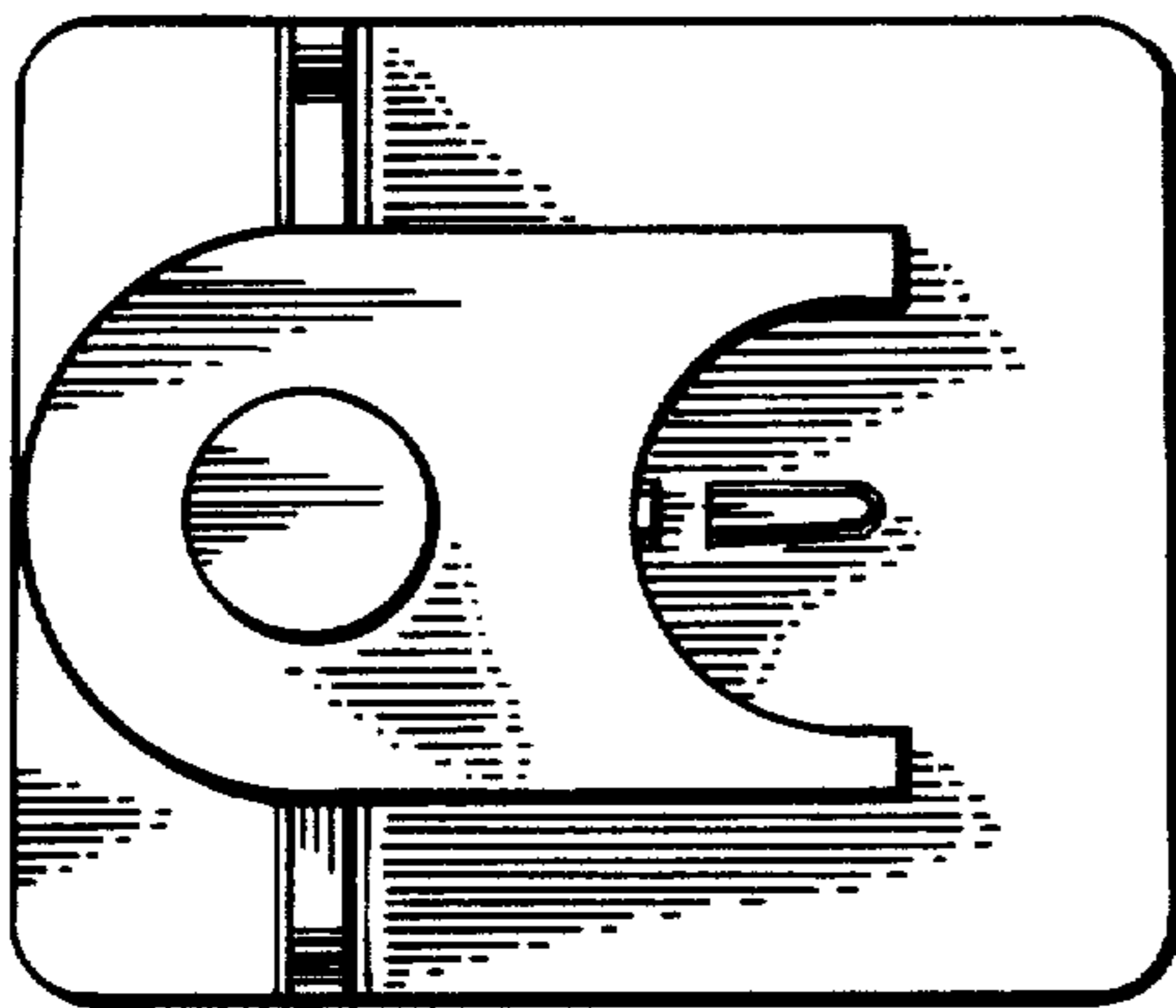


FIG. 3

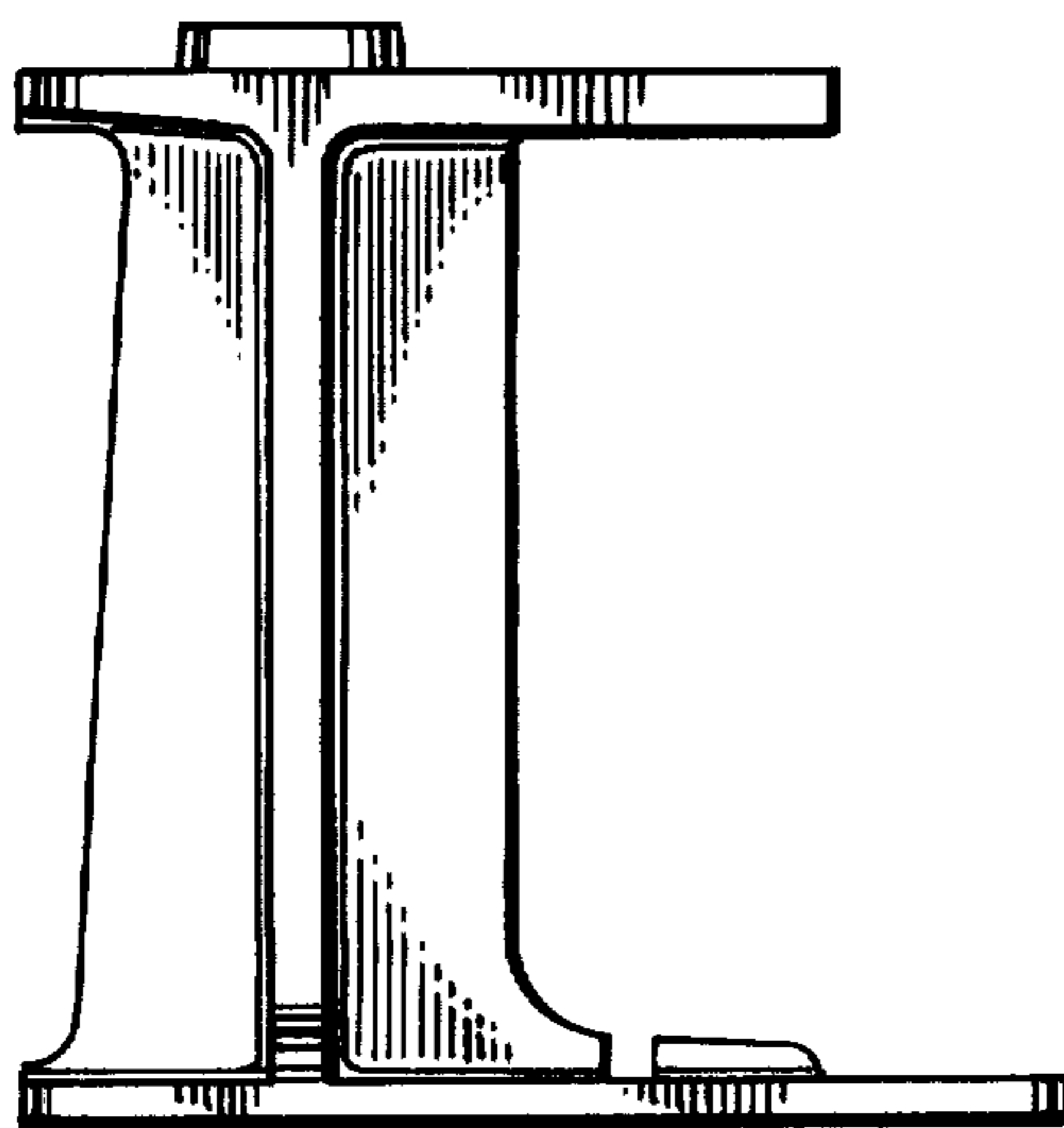


FIG. 2

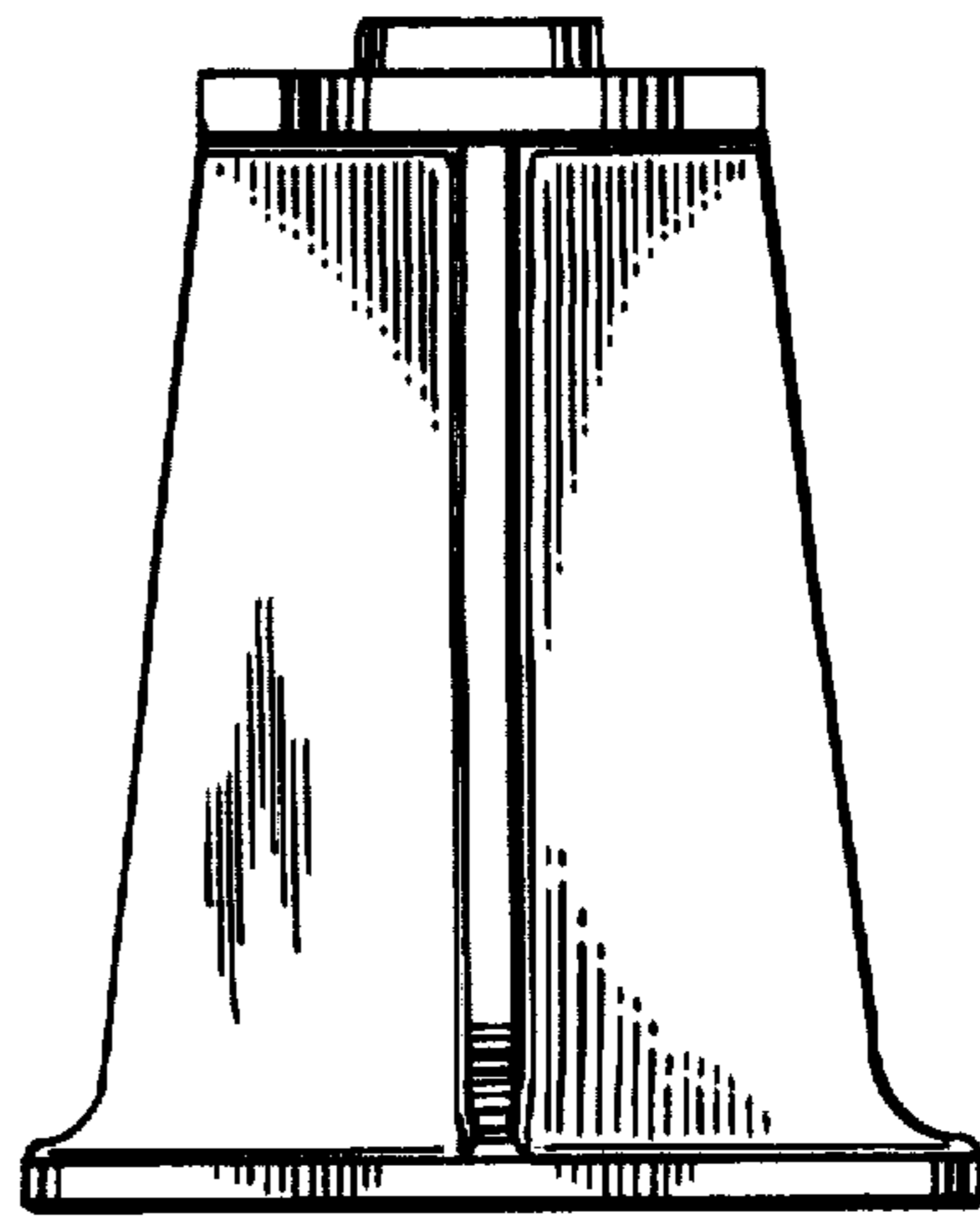


FIG. 4