

[54] TAPE PACKAGE

[75] Inventors: Wayne K. Dunshee, Maplewood; Thomas J. Watkins, White Bear Lake, both of Minn.

[73] Assignee: Minnesota Mining and Manufacturing Company, St. Paul, Minn.

[**] Term: 14 Years

[21] Appl. No.: 46,994

[22] Filed: Jun. 8, 1979

[51] Int. Cl. D9-03

[52] U.S. Cl. D9/415

[58] Field of Search D9/191-193; 206/460, 462, 471, 495, 389

[56] References Cited

U.S. PATENT DOCUMENTS

D. 118,010 12/1939 Broderick D9/191

D. 205,478 8/1966 Christine et al. D9/193 X
D. 233,318 10/1974 Moberly et al. D9/192
D. 234,122 1/1975 Horblitt D9/193 X
D. 247,222 2/1978 Paone et al. D9/192

Primary Examiner—Robert C. Spangler
Attorney, Agent, or Firm—Cruzan Alexander; Donald M. Sell; Gary L. Griswold

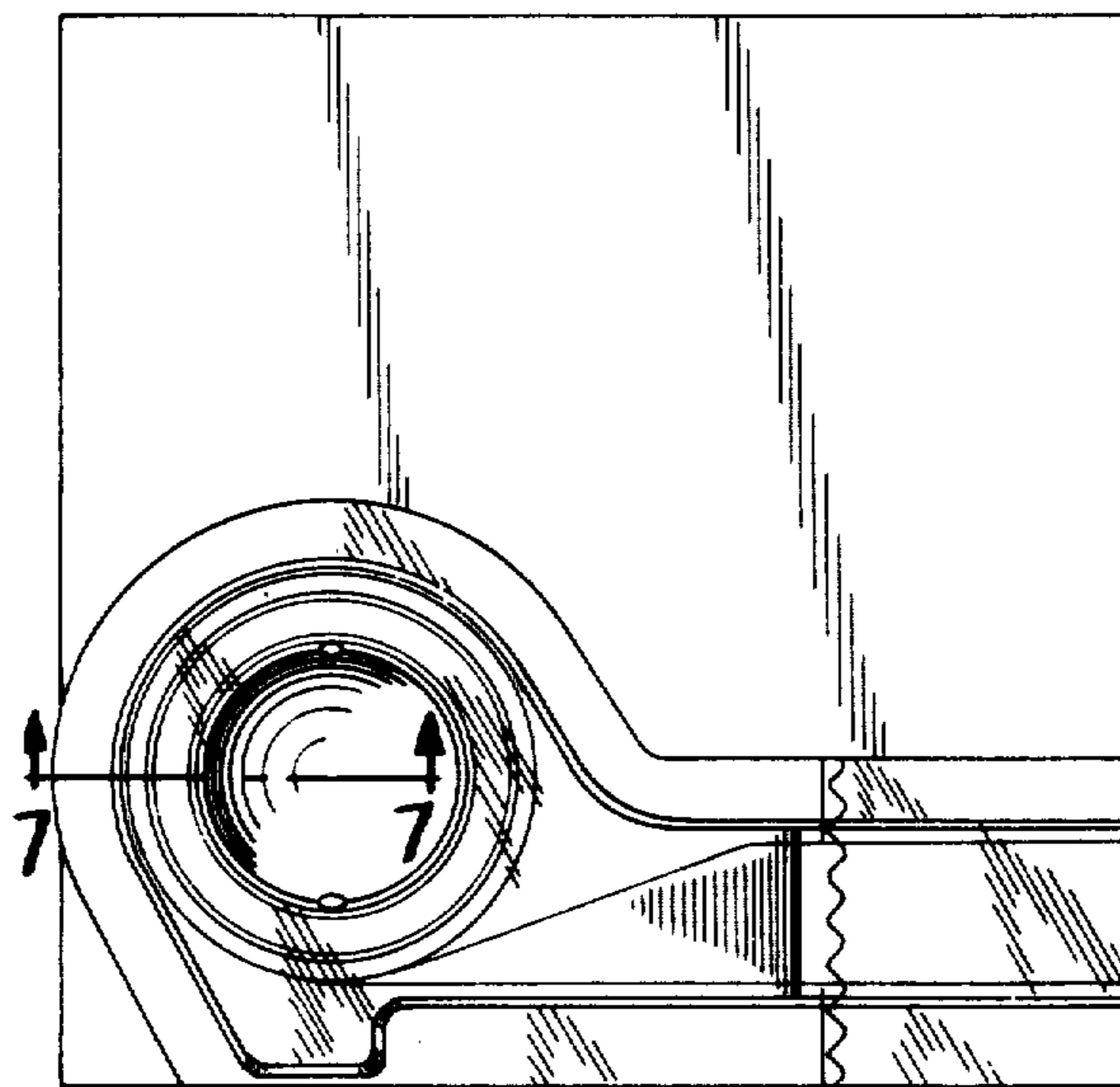
[57] CLAIM

The ornamental design for a tape package, substantially as shown and described.

DESCRIPTION

FIG. 1 is a top plan view of a tape package embodying our new design;
FIG. 2 is a front elevation view thereof;
FIG. 3 is a rear elevation view thereof;
FIG. 4 is a right side elevation view thereof;
FIG. 5 is a left side elevation view thereof;
FIG. 6 is a bottom plan view thereof; and
FIG. 7 is an enlarged cross-sectional view through line 7-7 of FIG. 1.

The dash lines in FIG. 6 represent score lines.



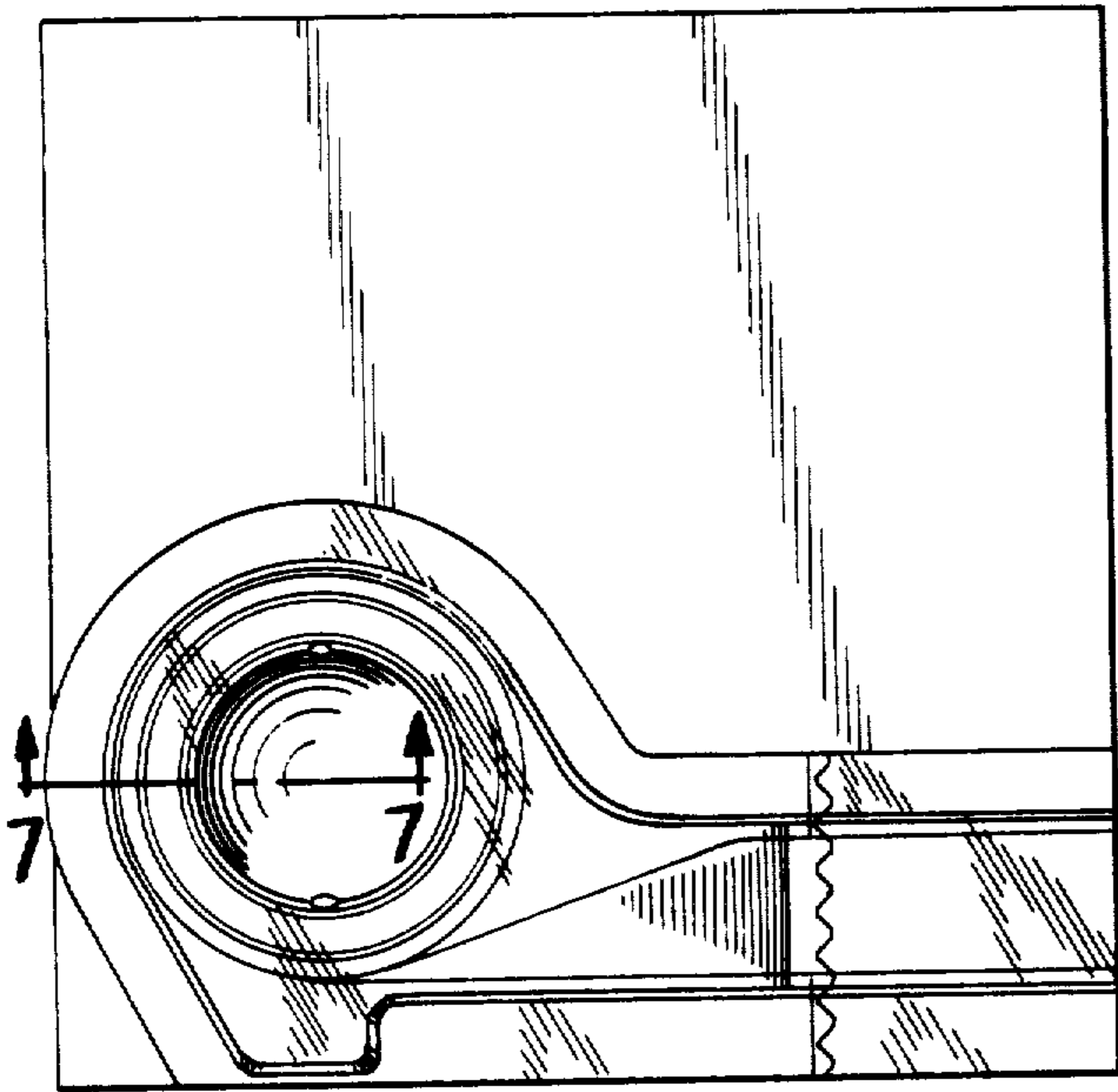


FIG. 1

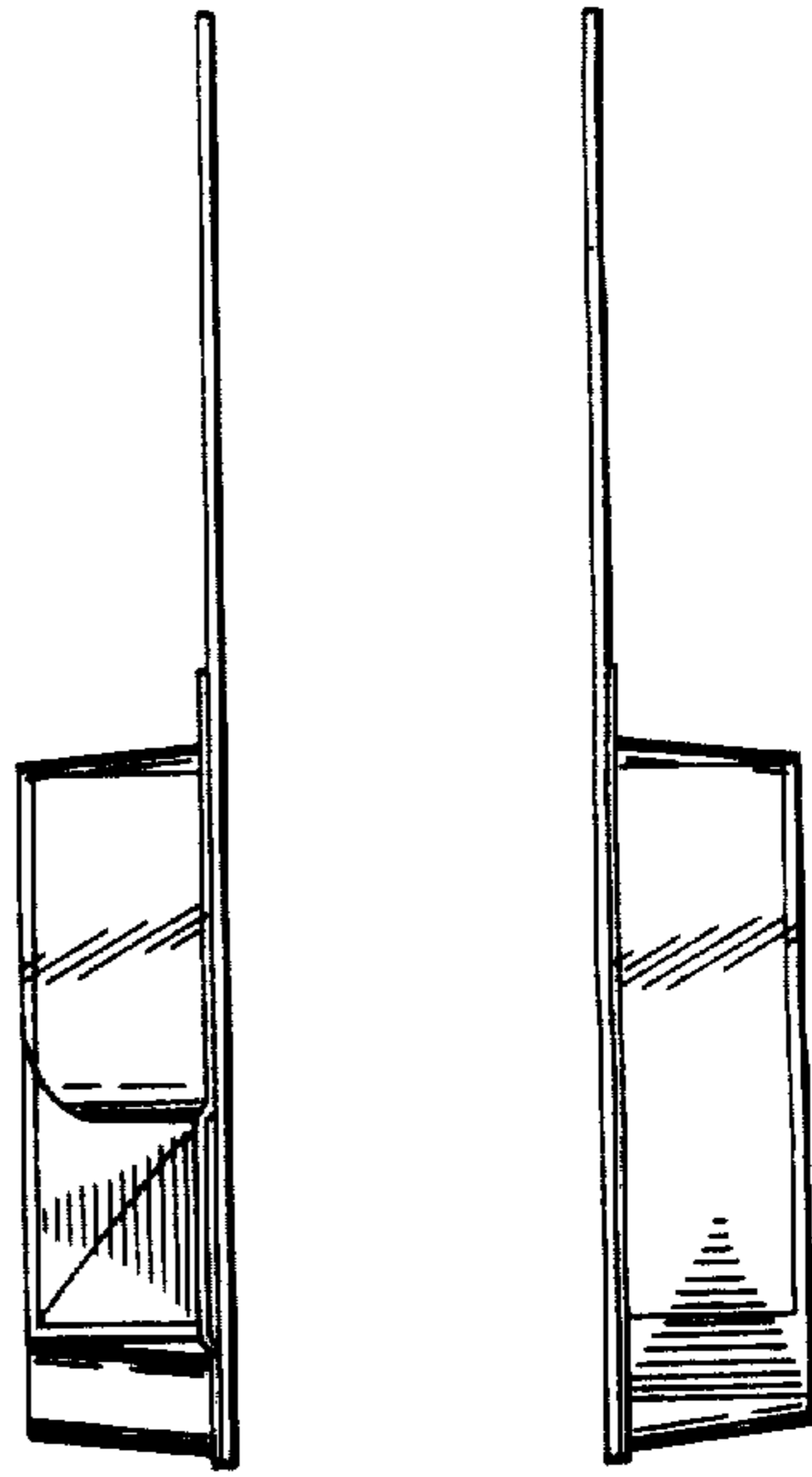


FIG. 4

FIG. 5



FIG. 2

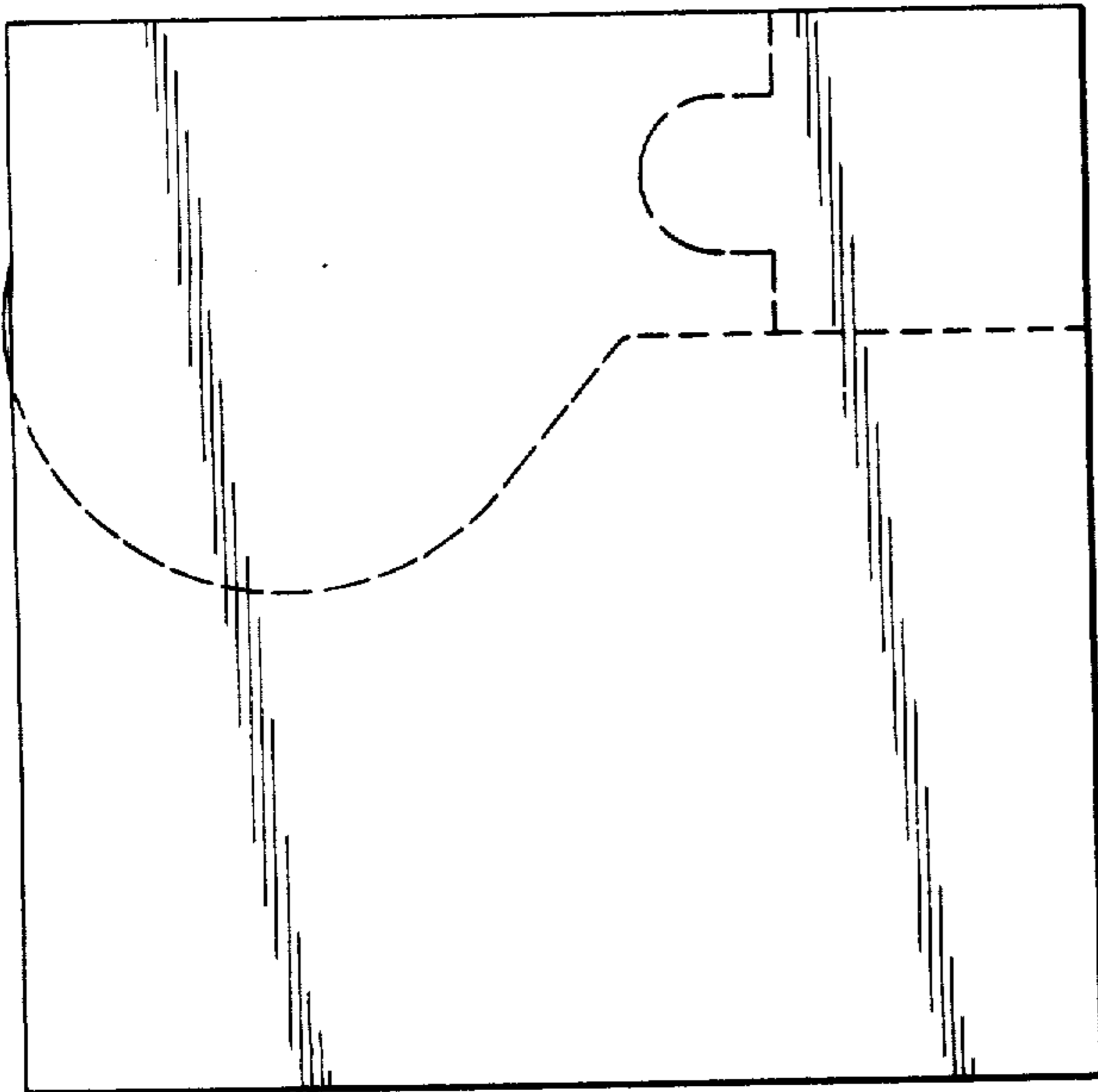


FIG. 6

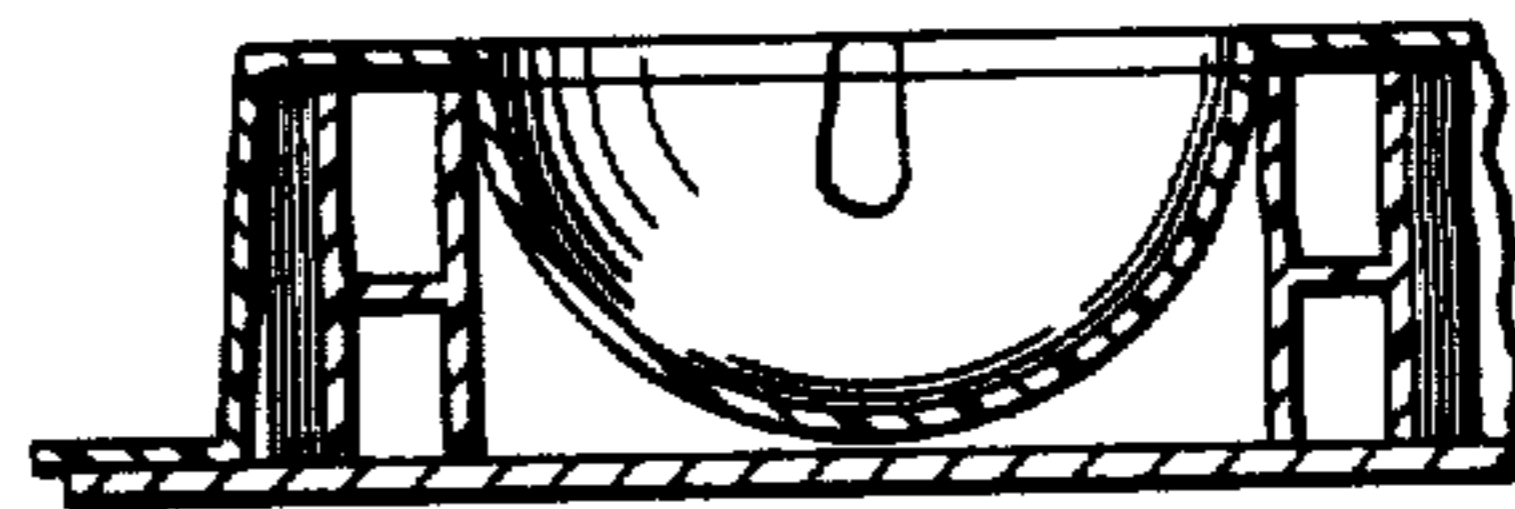


FIG. 7

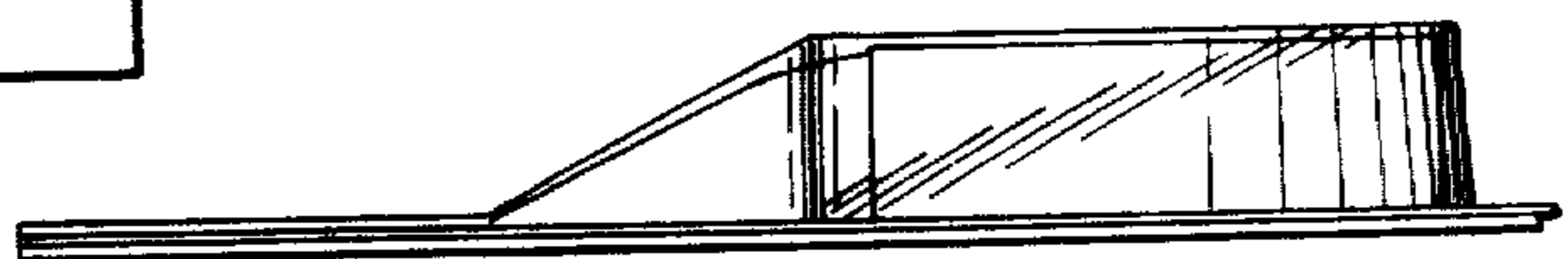


FIG. 3