

[54] HANDLE ASSEMBLY FOR LUGGAGE

[75] Inventor: Michael Davis, New Castle, Pa.

[73] Assignee: Airway Industries, Inc., Ellwood City, Pa.

[**] Term: 14 Years

[21] Appl. No.: 910,460

[22] Filed: May 30, 1978

[51] Int. Cl. D8-06

[52] U.S. Cl. D8/306; D8/317; D8/319

[58] Field of Search D8/306, 317, 319; 190/57

[56] References Cited

U.S. PATENT DOCUMENTS

D. 198,662	7/1964	O'Neill .	
D. 247,654	3/1978	Koffler .	
D. 247,655	3/1978	Koffler .	
2,746,581	5/1956	Ritter .	
3,243,020	3/1966	Friedlander	190/57
3,269,495	8/1966	Bush	190/57
3,812,939	5/1974	Pelletier .	

FOREIGN PATENT DOCUMENTS

1458555	11/1966	France	190/57
258799	9/1936	United Kingdom .	

OTHER PUBLICATIONS

Luggage & Leather Goods (Finesse-M & M Luggage Co. Inc.), Nov. 1966, p. 31.

Primary Examiner—Sam Rosen

Attorney, Agent, or Firm—Buell, Blenko, Ziesenheim & Beck

[57] CLAIM

The ornamental design for a handle assembly for luggage, substantially as shown and described.

DESCRIPTION

FIG. 1 is a top plan view of a handle assembly for luggage showing my new design;

FIG. 2 is an elevational view of one side thereof, a view of the opposite side being a mirror image of that shown;

FIG. 3 is an elevational view of one end thereof, the opposite end being substantially a mirror image of that shown;

FIG. 4 is a bottom view thereof;

FIG. 5 is a fragmental top plan view of a modification thereof having a modified attaching piece;

FIG. 6 is a fragmental side elevational view of the modification of my design shown in FIG. 5;

FIG. 7 is an elevational end view of the design shown in FIG. 5;

FIG. 8 is a fragmental bottom view of the modification of my design shown in FIG. 5;

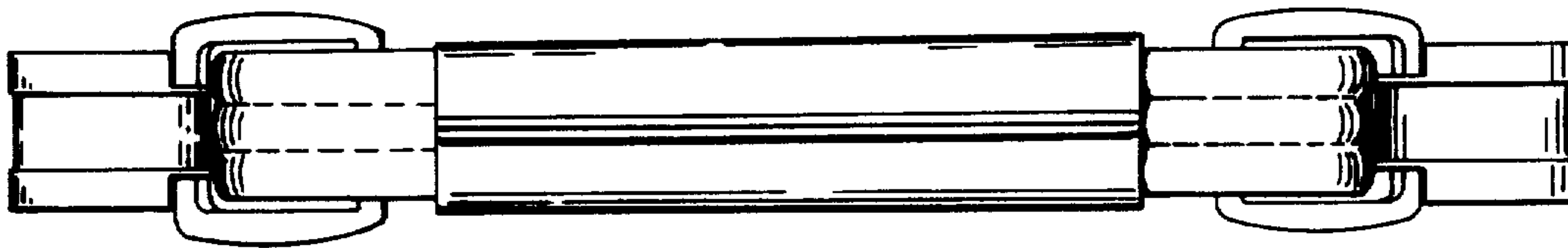
FIG. 9 is a fragmental top plan view of a further modification thereof having a modified attaching piece;

FIG. 10 is a fragmental side elevational view of the modification of my design shown in FIG. 9;

FIG. 11 is an elevational end view of the modification of my design shown in FIG. 9; and

FIG. 12 is a fragmental bottom view of the modification of my design shown in FIG. 9.

The fragmentally shown handle assembly of FIGS. 5, 6, 8, 9, 10 and 12 are actually intended to have the full configuration of the handle assembly of FIGS. 1, 2 and 4, but are shown fragmented for ease of illustration.



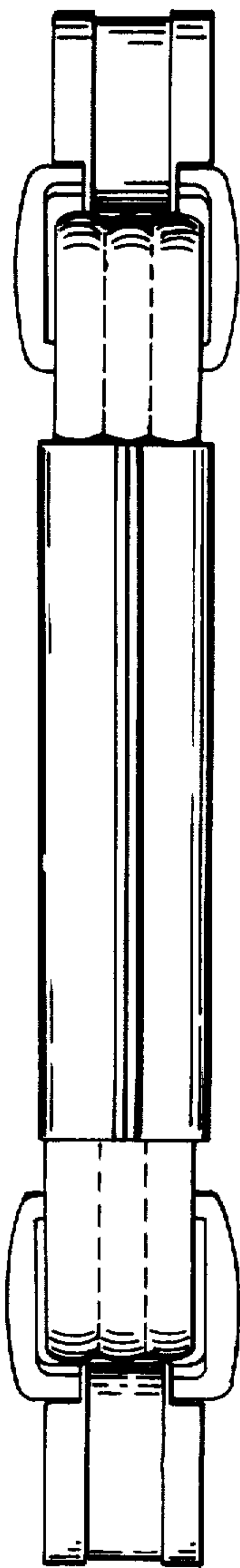


FIG. 1

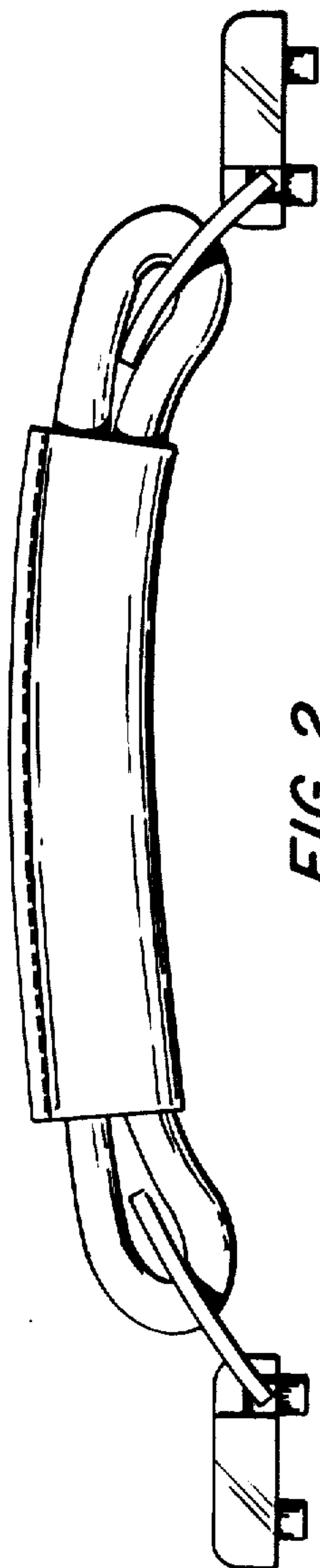


FIG. 2

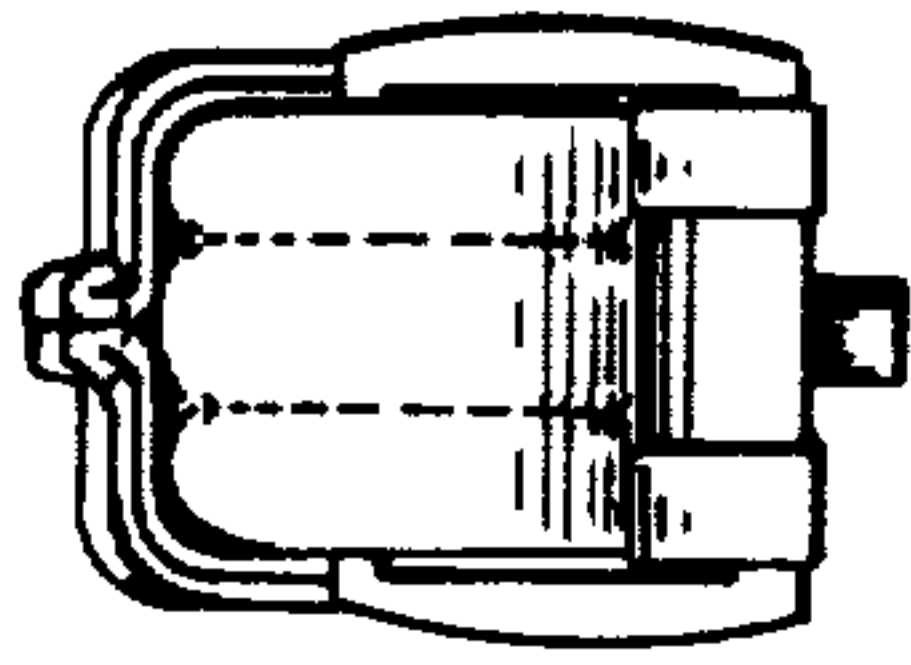


FIG. 3

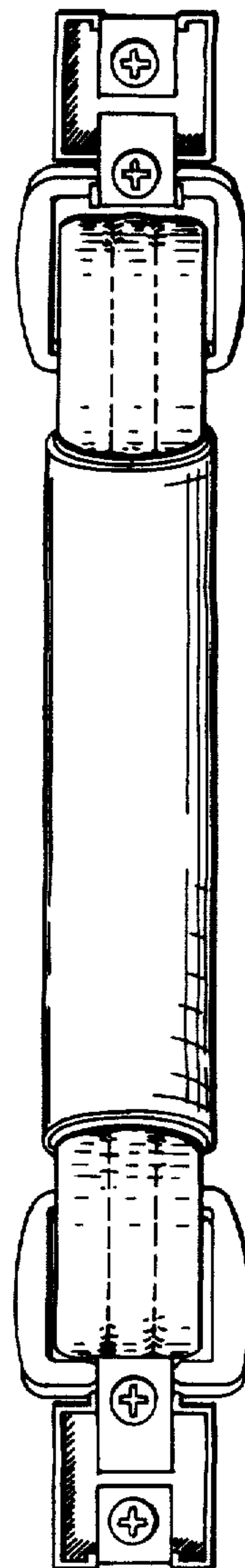


FIG. 4

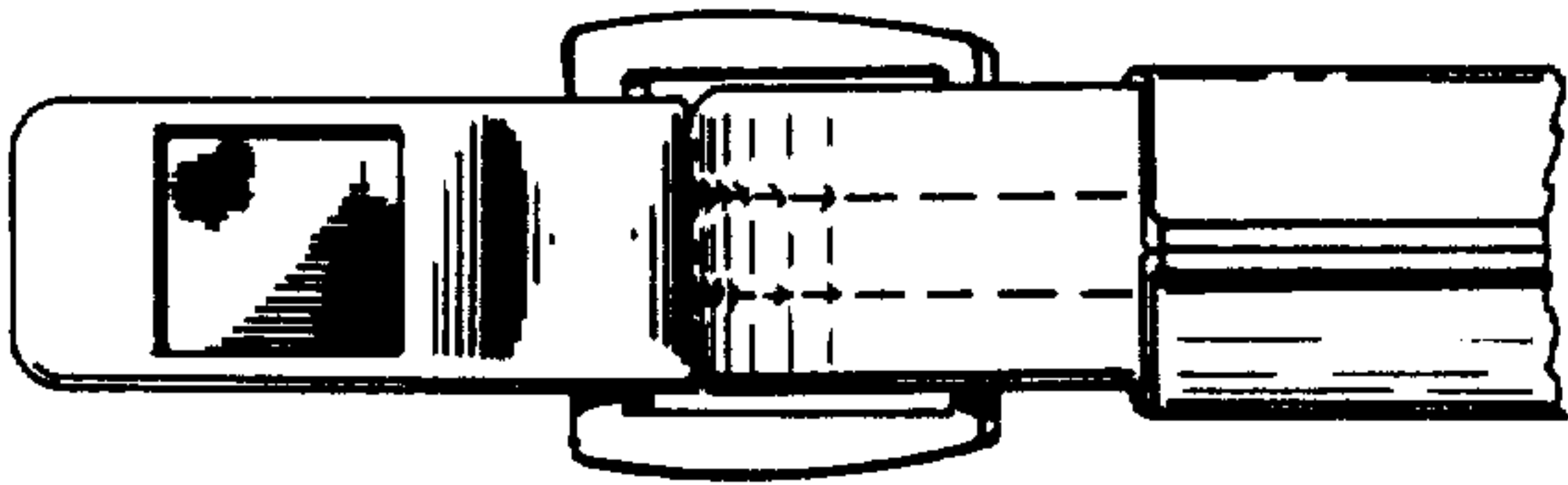


FIG. 5

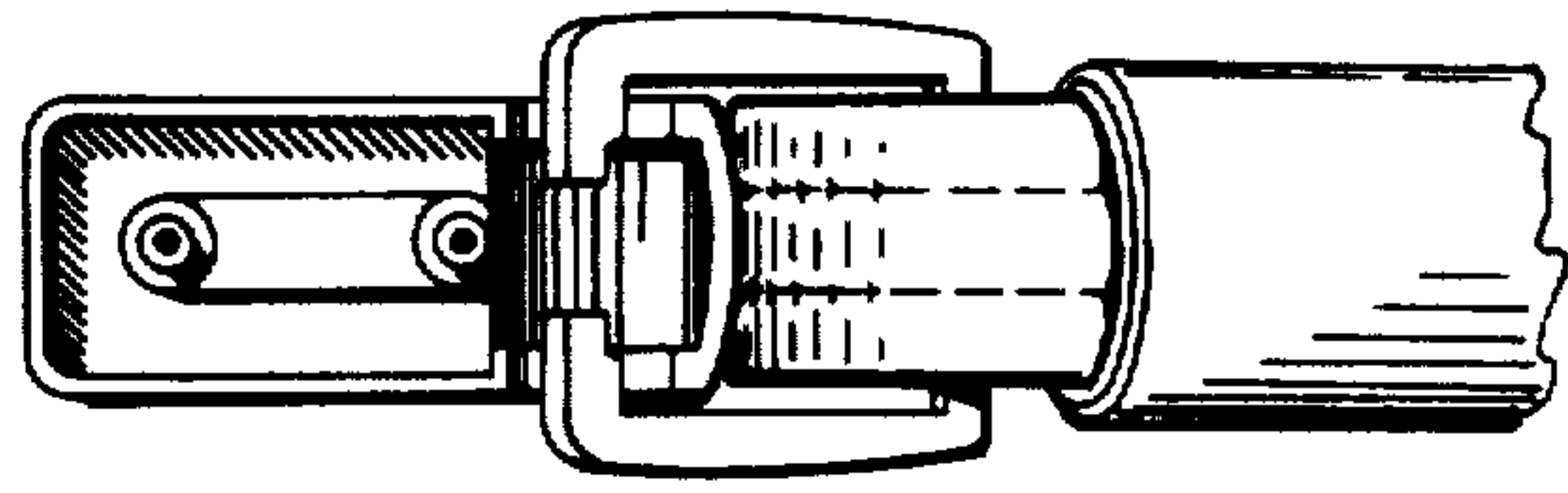


FIG. 8

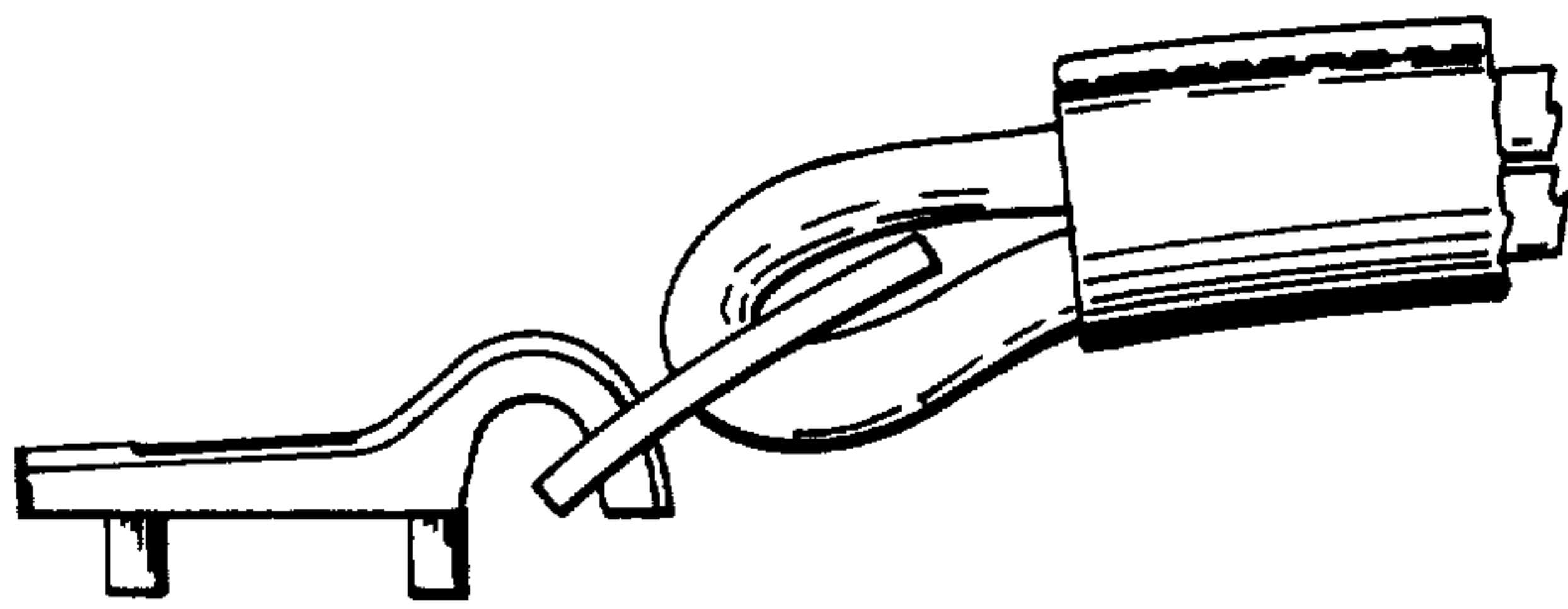


FIG. 6

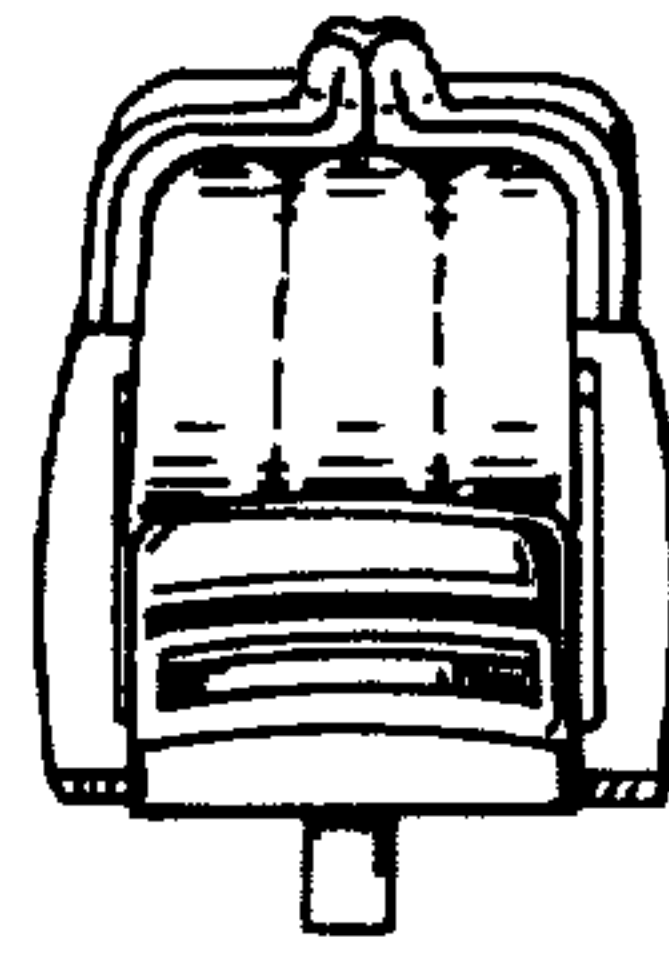


FIG. 7

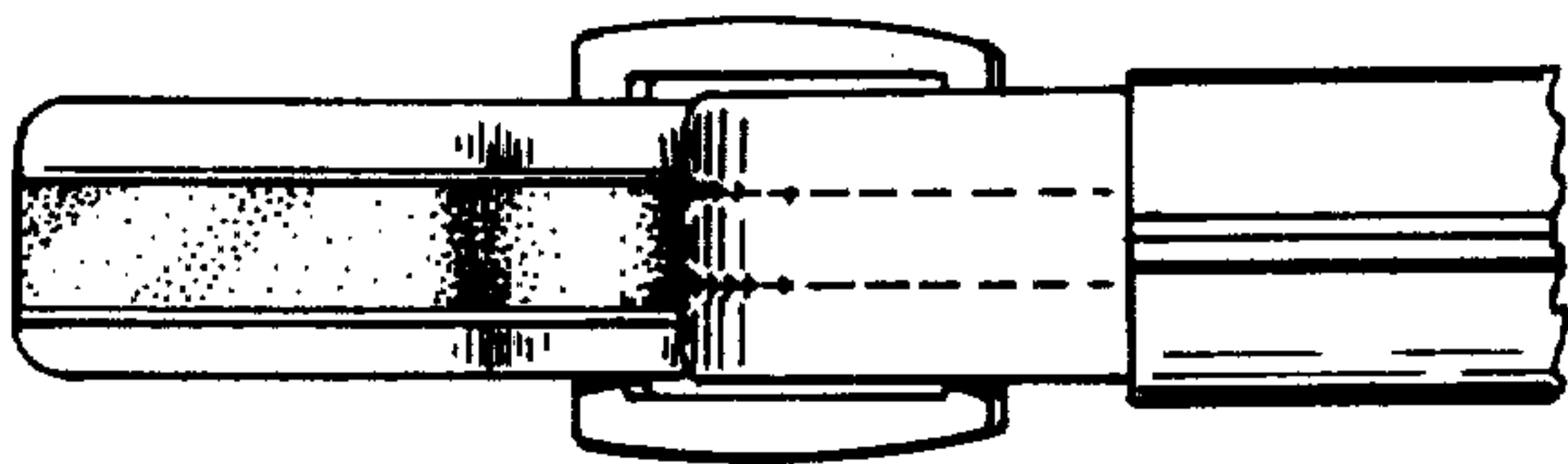


FIG. 9

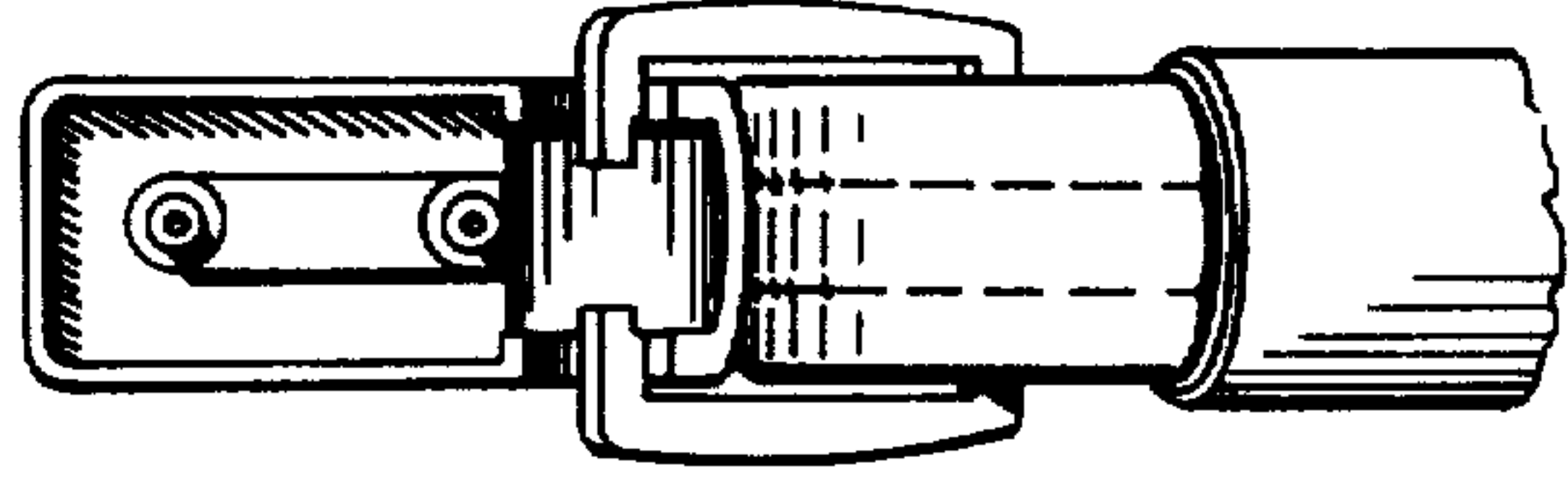


FIG. 12

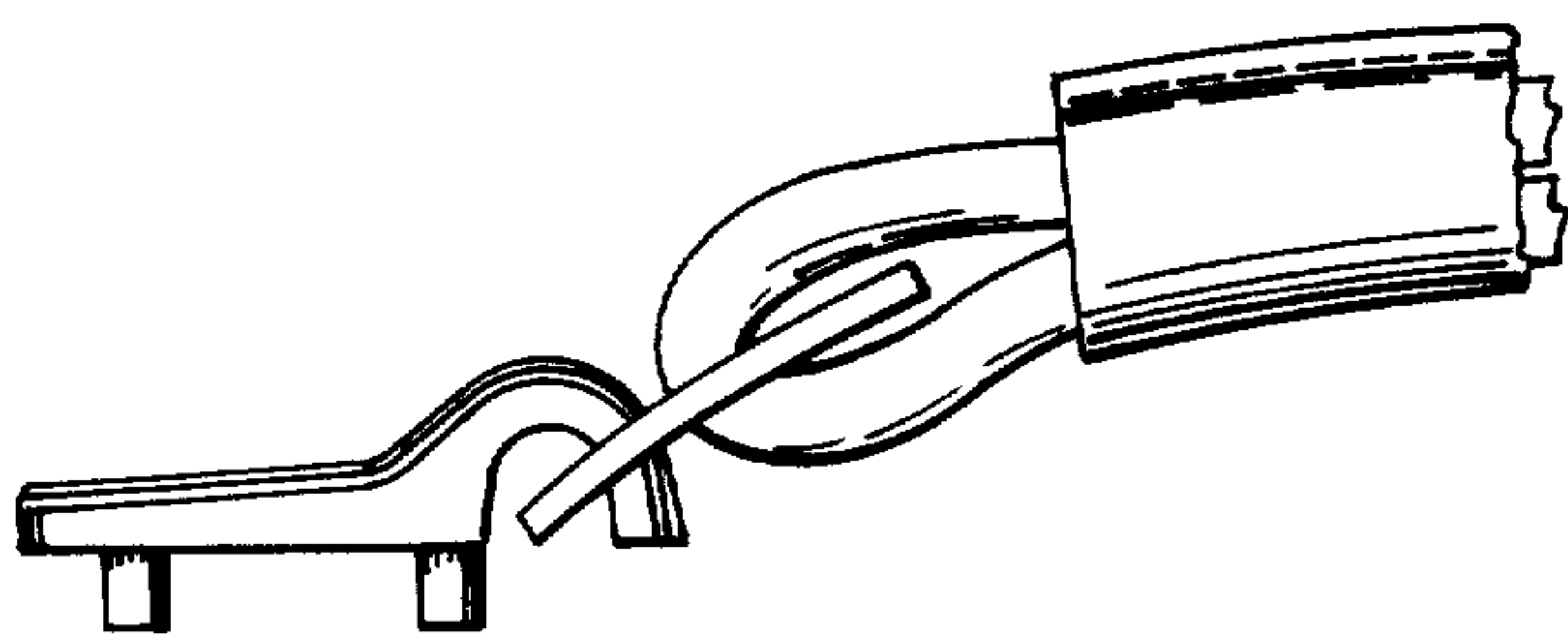


FIG. 10

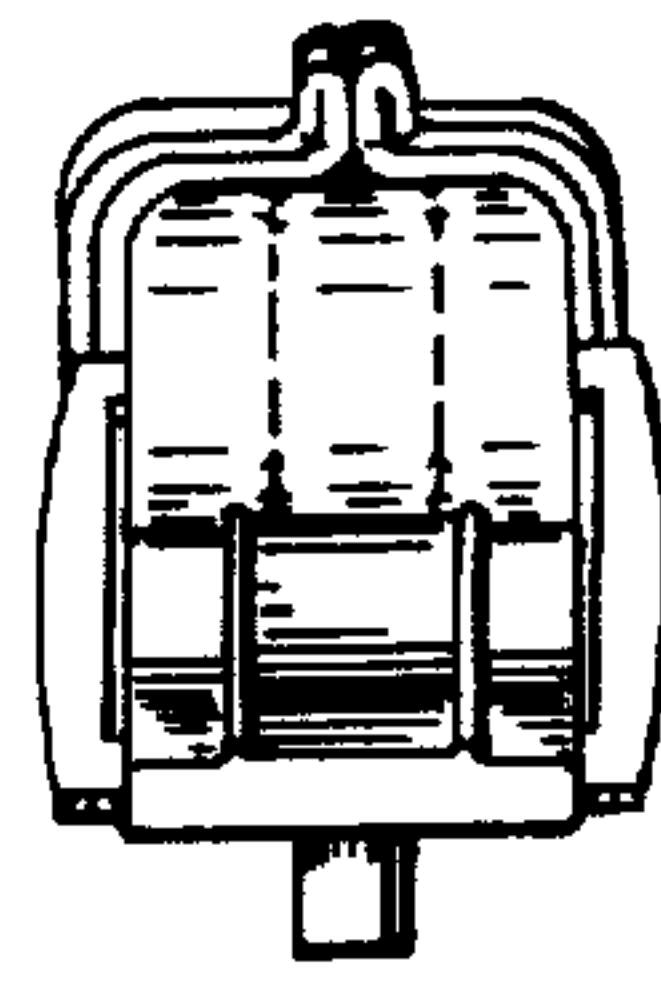


FIG. 11