

[54] SANDPAPER HOLDER

[76] Inventor: William B. Brannan, 1318 White Oak Cir., Ojai, Calif. 93023

[**] Term: 14 Years

[21] Appl. No.: 23,840

[22] Filed: Mar. 26, 1979

[51] Int. Cl. D8-99

[52] U.S. Cl. D8/94; D6/97; 51/392; 51/393; D8/356

[58] Field of Search D8/356, 94; D6/97; 51/358, 388, 392, 393

[56] References Cited

U.S. PATENT DOCUMENTS

1,844,996	2/1932	Walker	D8/94
2,711,059	6/1955	Ames	51/393
2,864,208	12/1958	Ringer	51/392

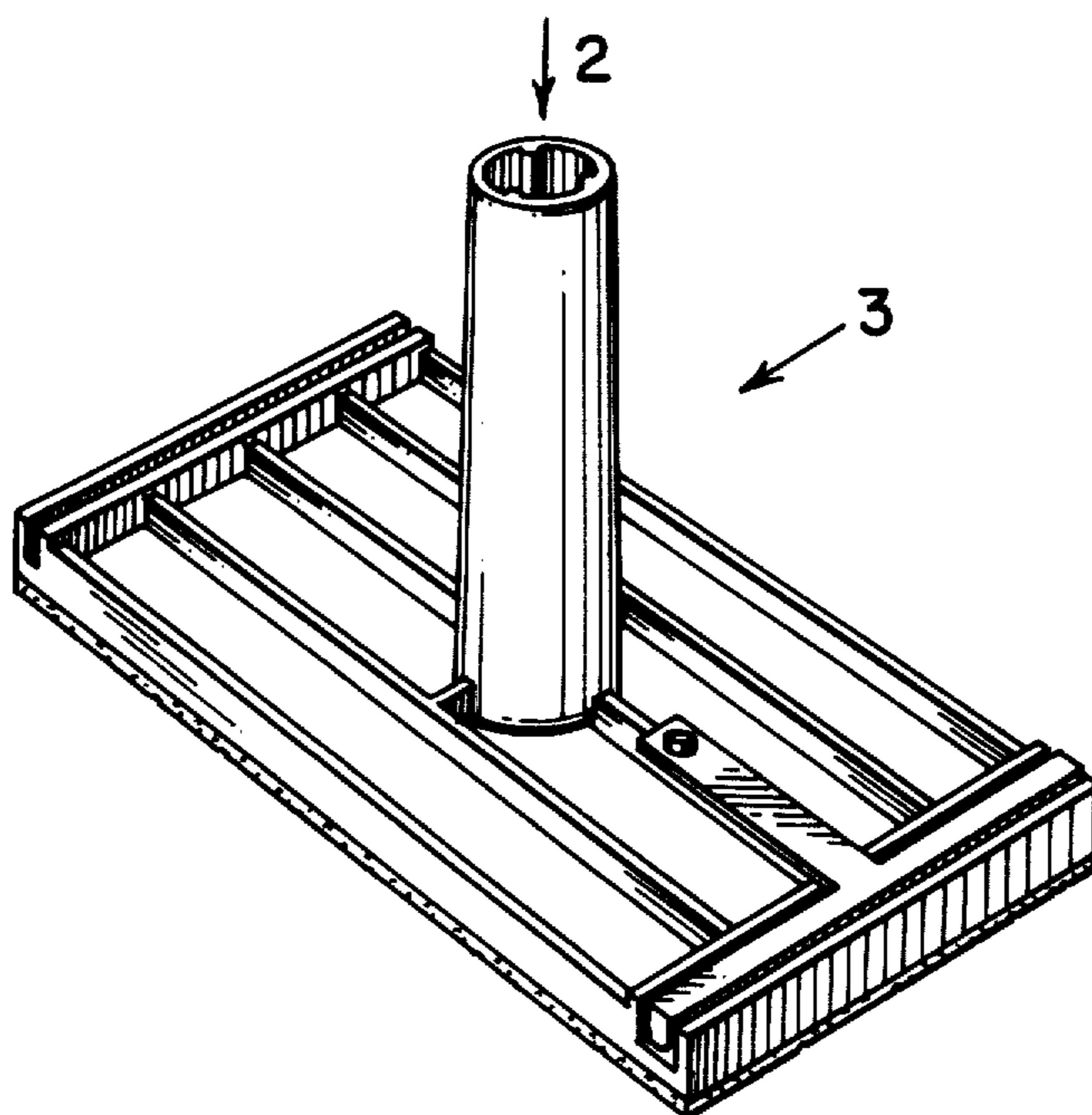
Primary Examiner—Veronica O’Keefe

[57] CLAIM

The ornamental design for a sandpaper holder, substantially as shown.

DESCRIPTION

FIG. 1 is a perspective view looking towards the front of a sandpaper holder showing my new design;
 FIG. 2 is a top plan view thereof;
 FIG. 3 is a side elevational view thereof;
 FIG. 4 is a front end view thereof;
 FIG. 5 is a bottom plan view thereof; and
 FIG. 6 is a rear end view thereof.



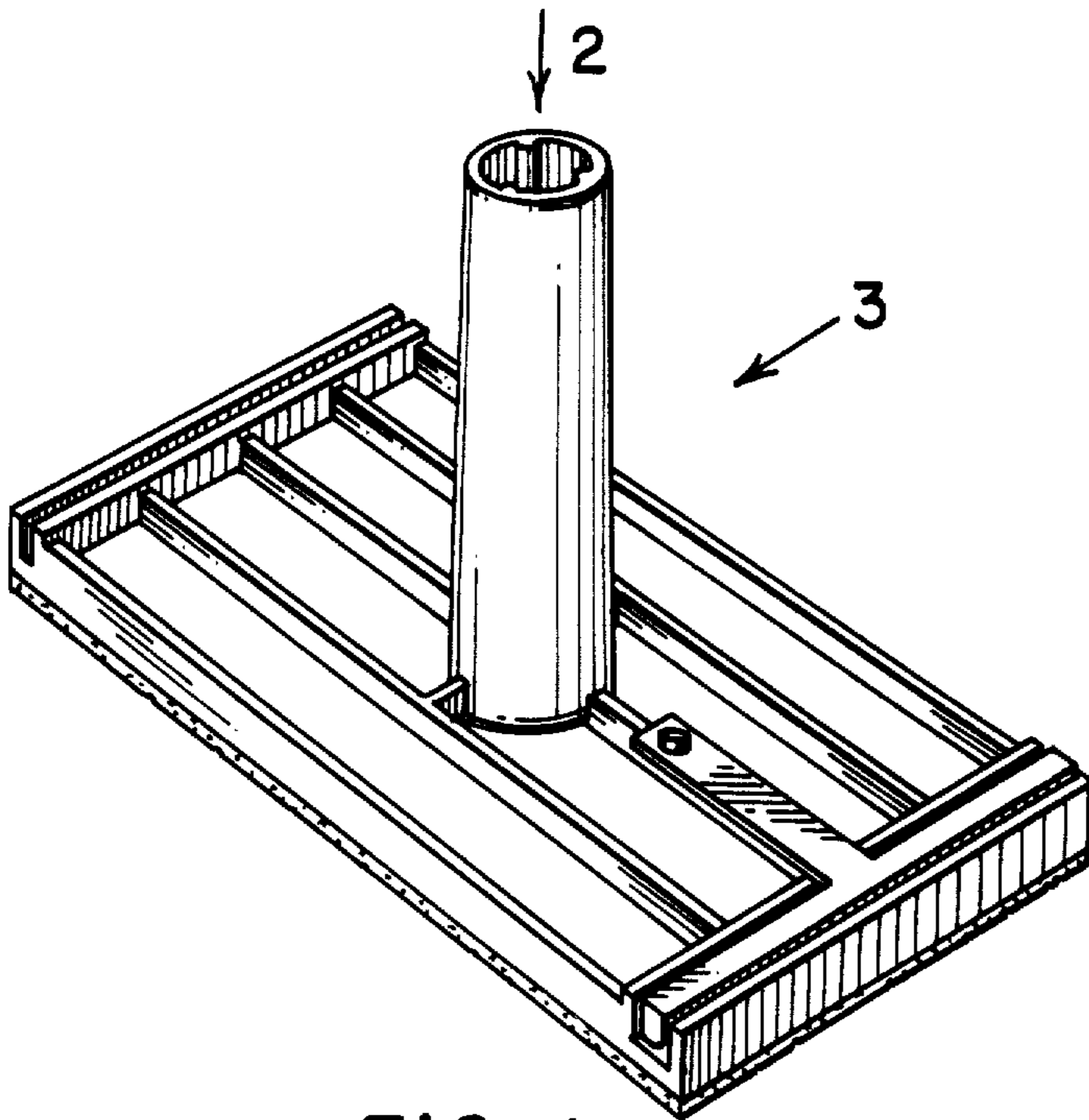


FIG. 1

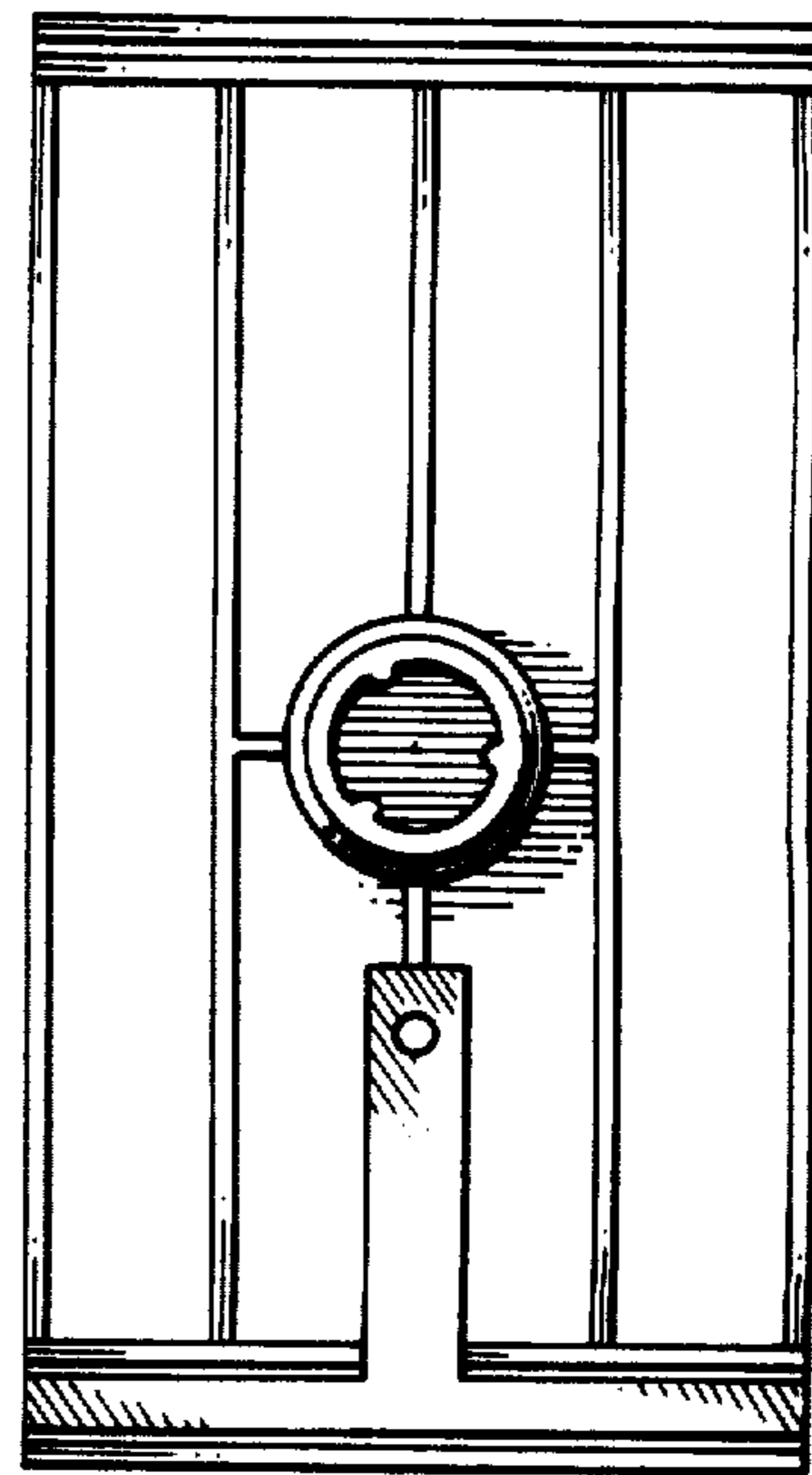


FIG. 2

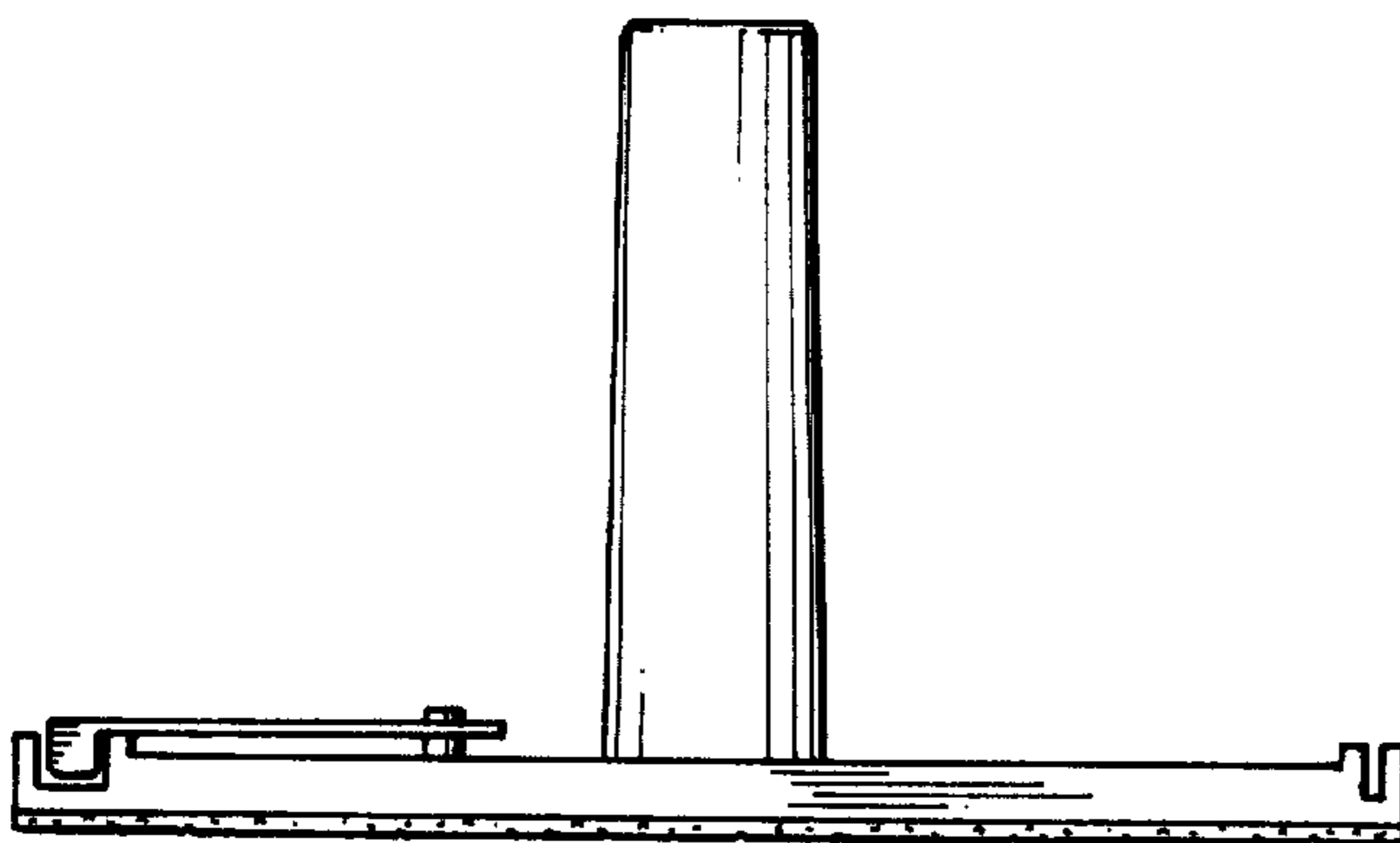


FIG. 3

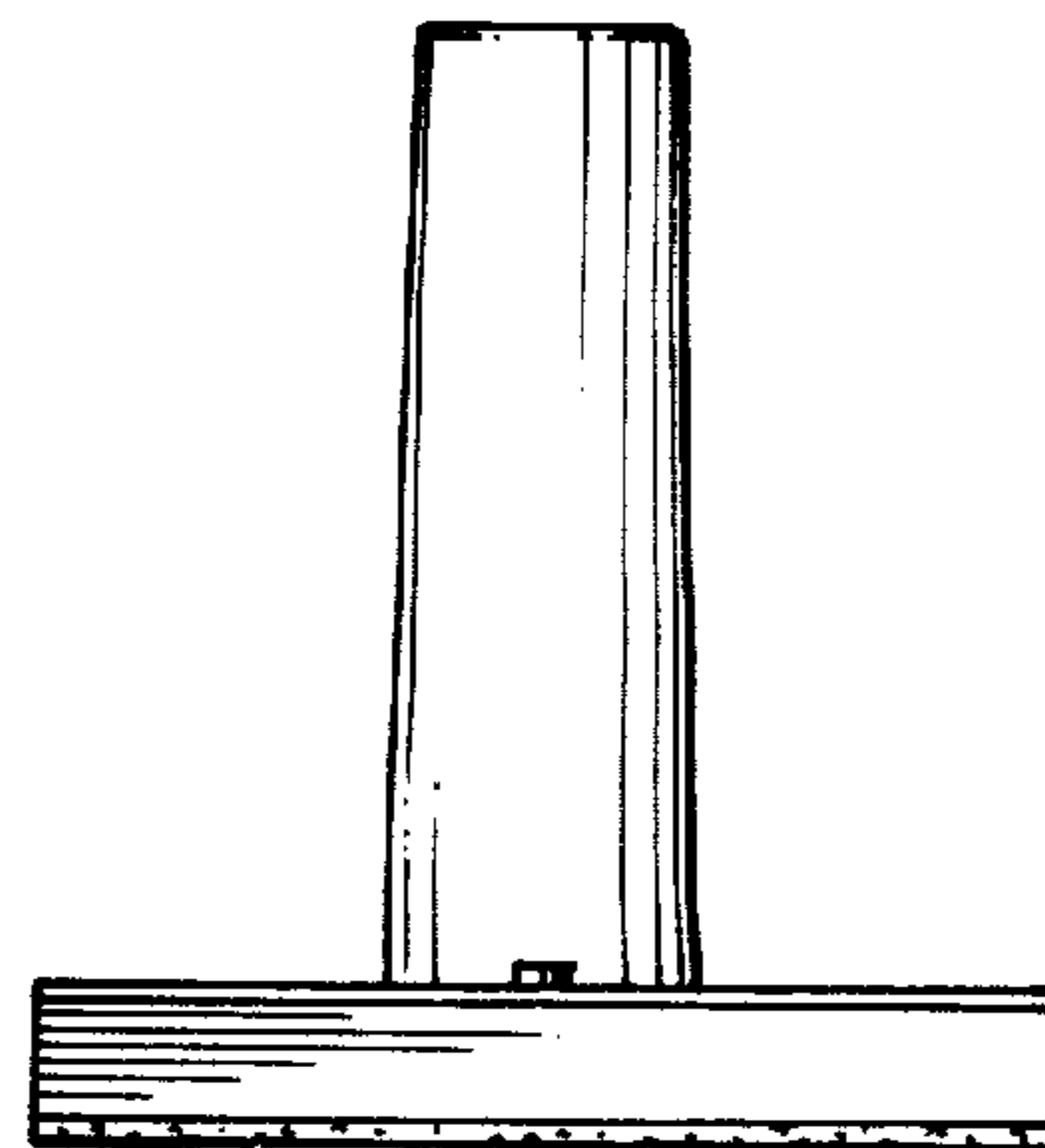


FIG. 4

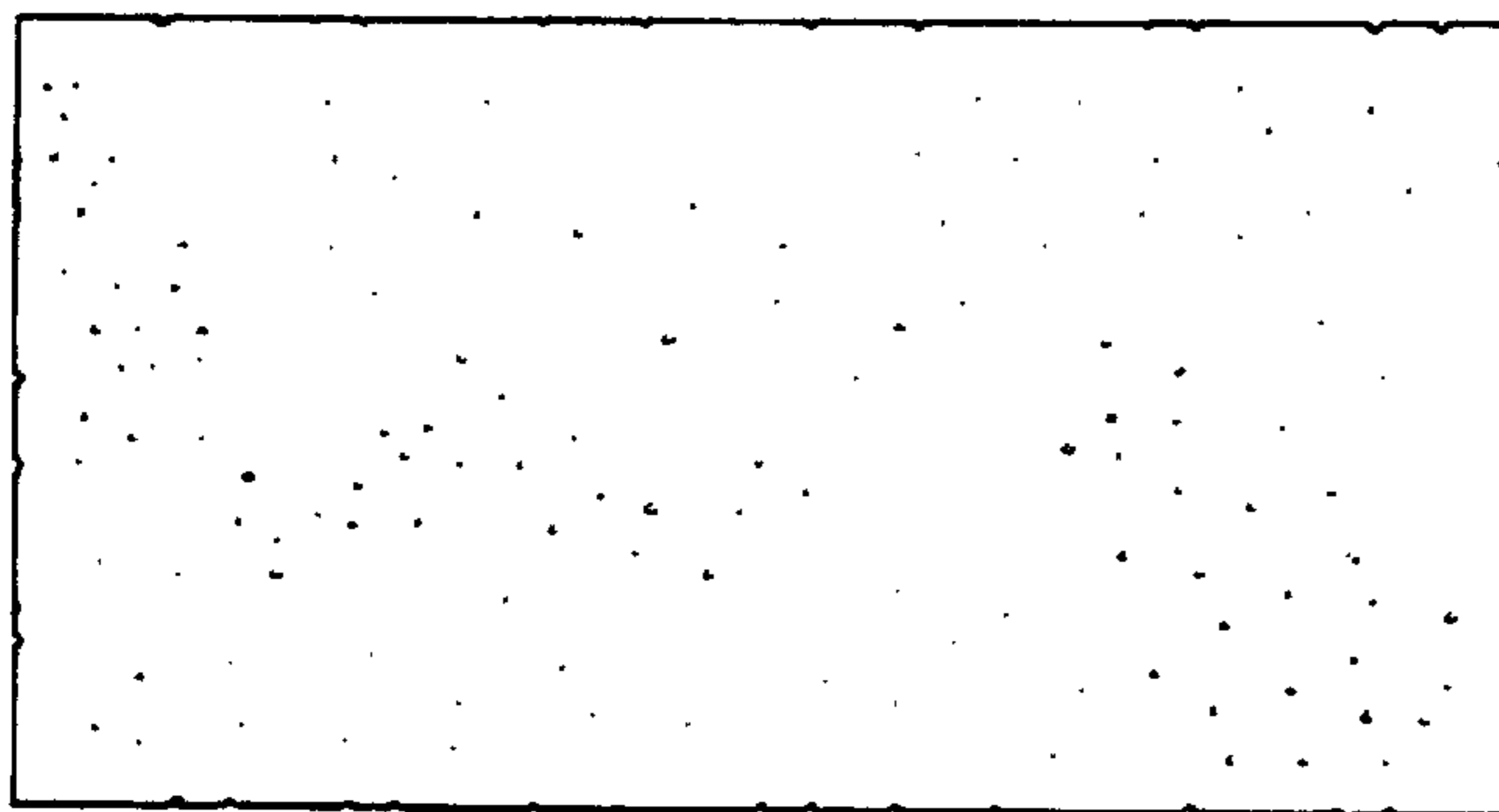


FIG. 5

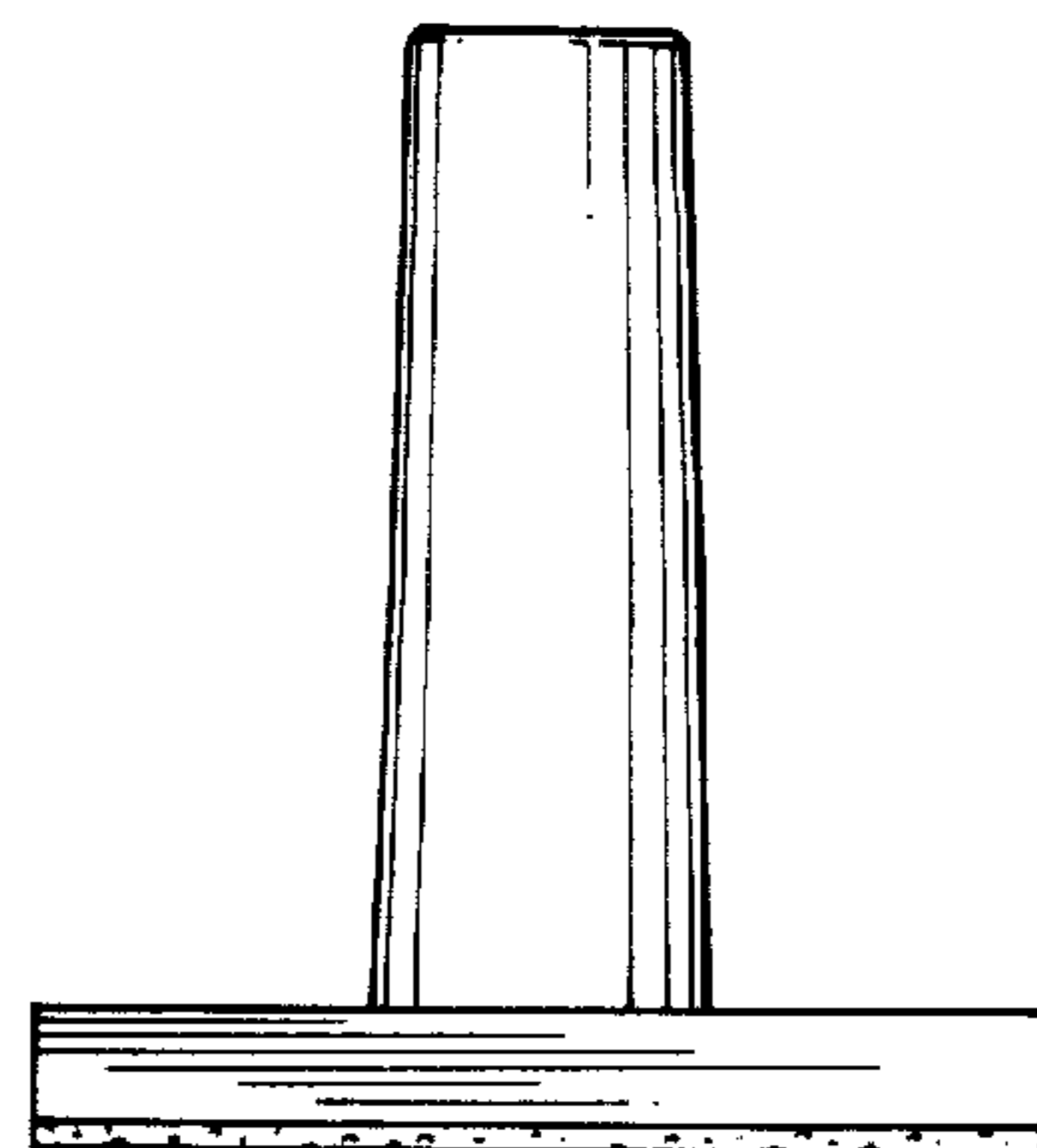


FIG. 6