

[54] NAILER

[75] Inventors: **Richard Proops**, Wayzata, Minn.;  
**David Haas**, Norwalk; **John Cuccio**,  
Westport, both of Conn.

[73] Assignee: **Hilti Aktiengesellschaft**, Schaan,  
Liechtenstein

[\*\*] Term: **14 Years**

[21] Appl. No.: **917,001**

[22] Filed: **Jun. 19, 1978**

[51] Int. Cl. .... **D08-02**

[52] U.S. Cl. .... **D8/61**

[58] Field of Search ..... **D8/61; 227/120**

[56]

**References Cited**

**U.S. PATENT DOCUMENTS**

3,253,760 5/1966 Doyle et al. .... D8/61  
3,797,723 3/1974 Perkins et al. .... D8/61

**OTHER PUBLICATIONS**

SN-IV Heavy-Duty Nailer Brochure.

*Primary Examiner*—W. Stallard  
*Attorney, Agent, or Firm*—Hugh D. Jaeger

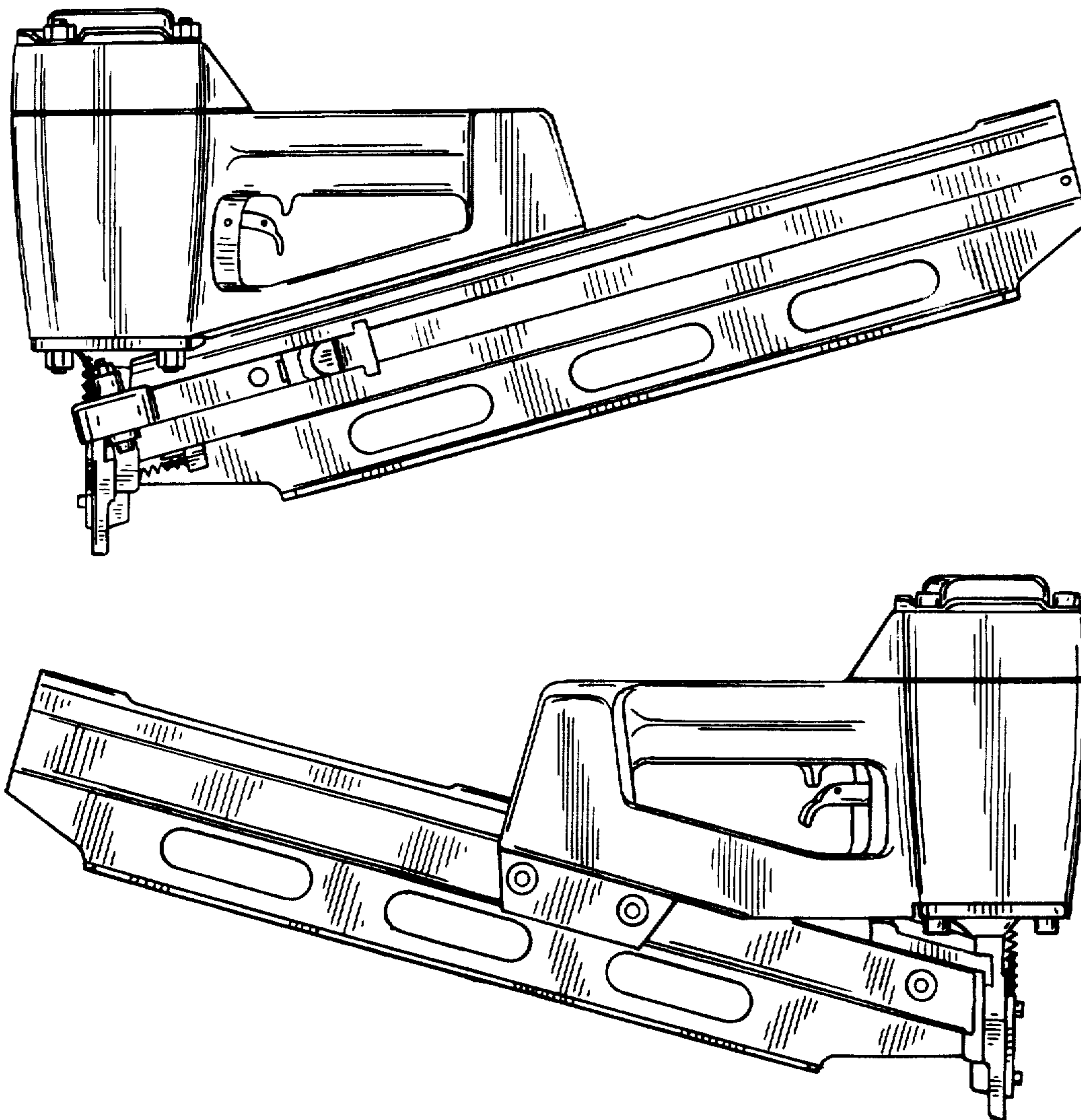
[57]

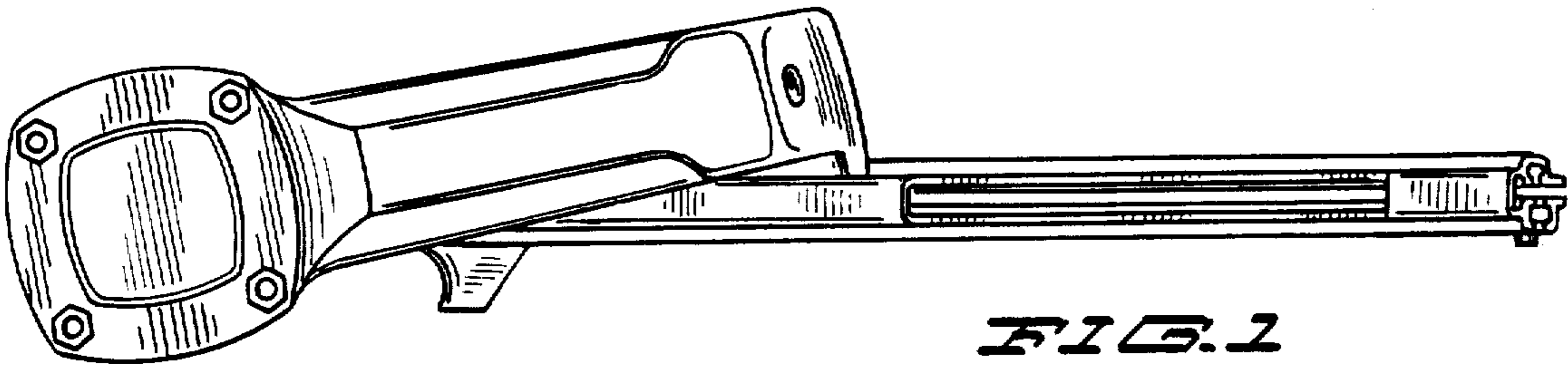
**CLAIM**

The ornamental design for a nailer, as shown.

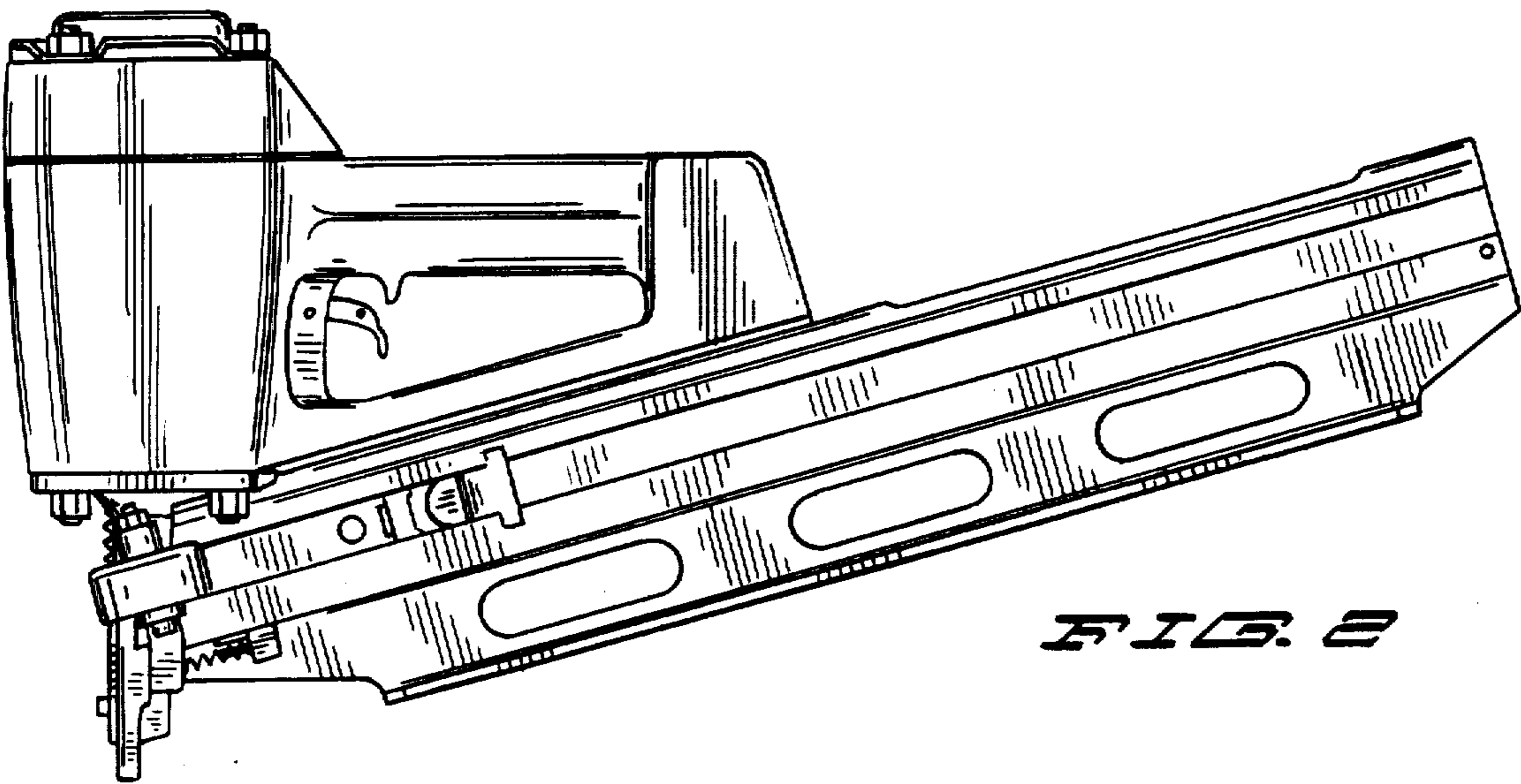
**DESCRIPTION**

FIG. 1 is a top view of a nailer showing my new design;  
FIG. 2 is a left side view thereof;  
FIG. 3 is a bottom view thereof;  
FIG. 4 is a right side view thereof;  
FIG. 5 is a front view thereof, and;  
FIG. 6 is a rear view thereof.

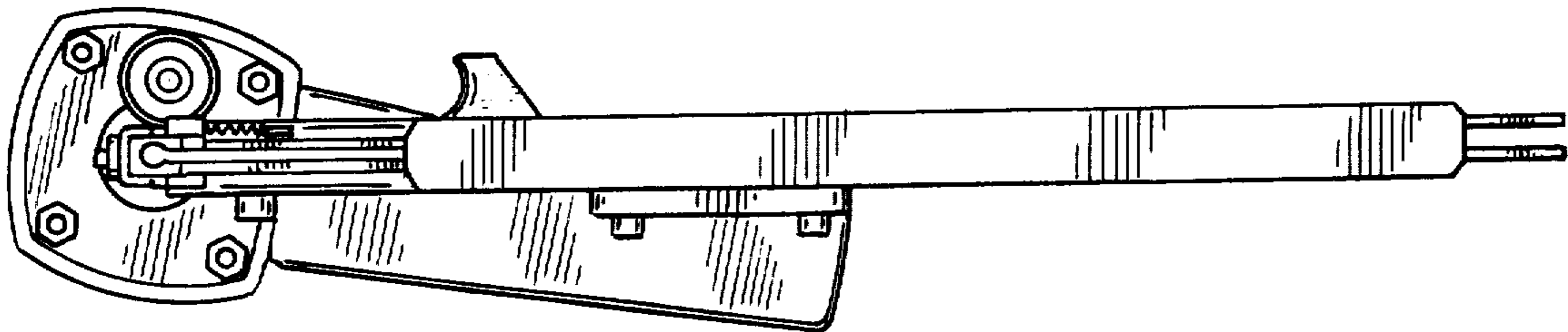




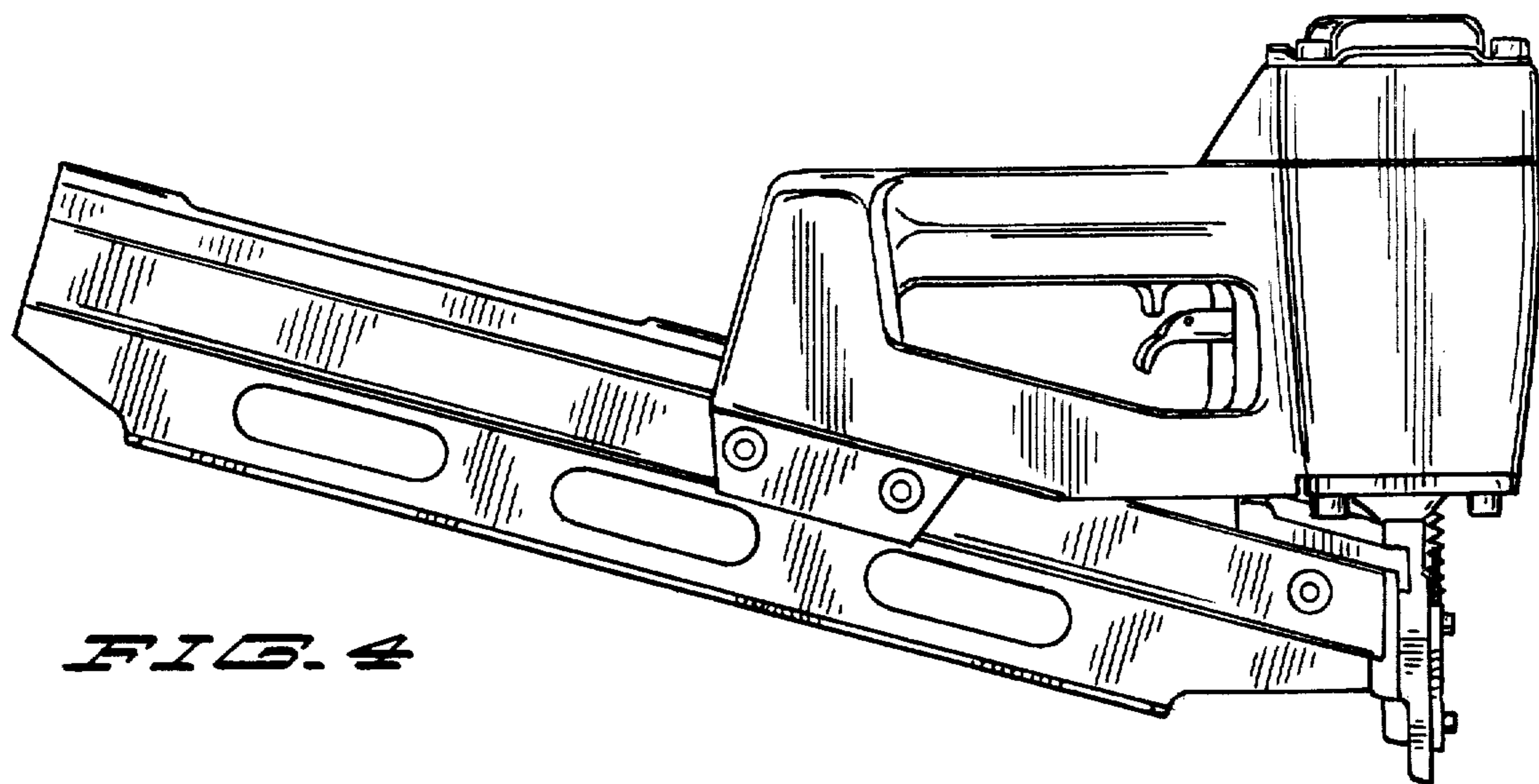
*FIG. 1*



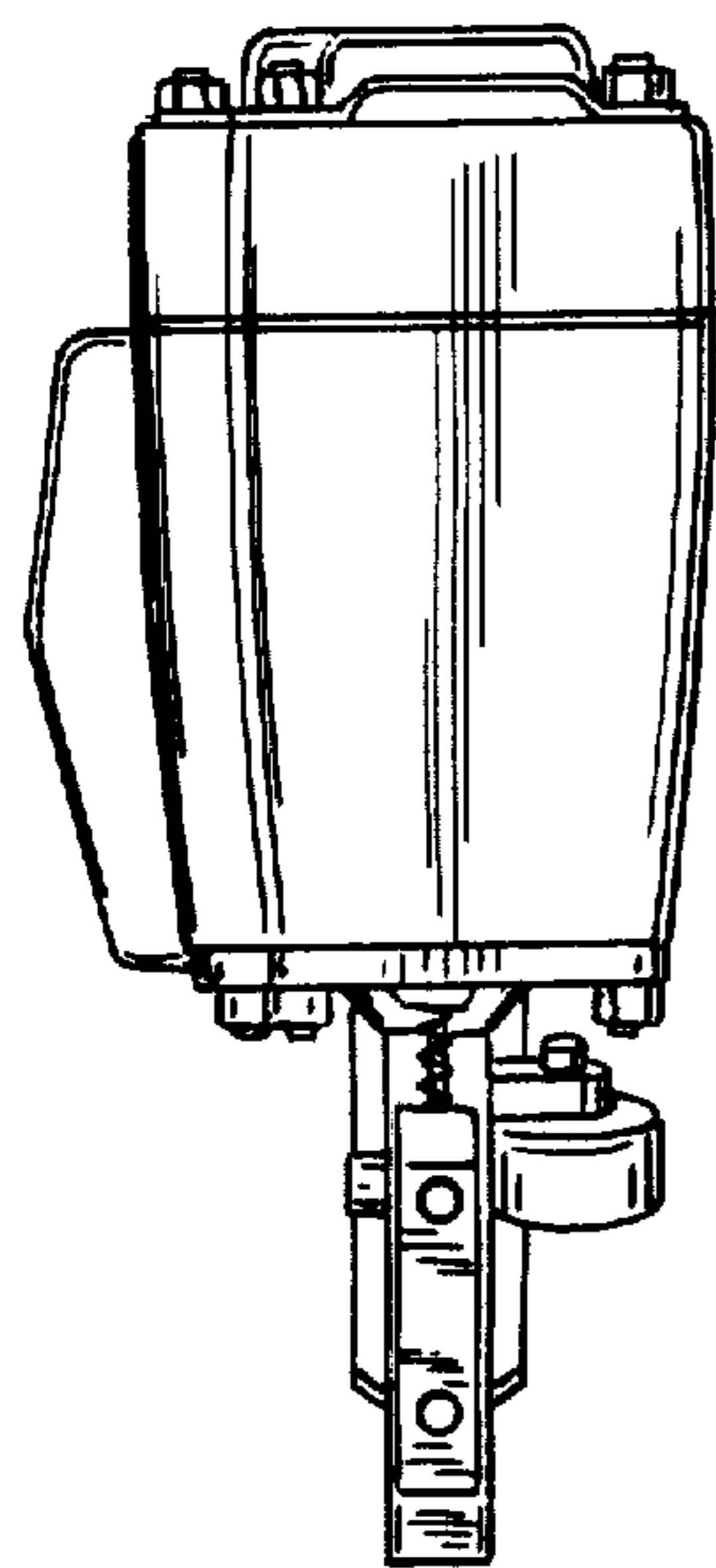
*FIG. 2*



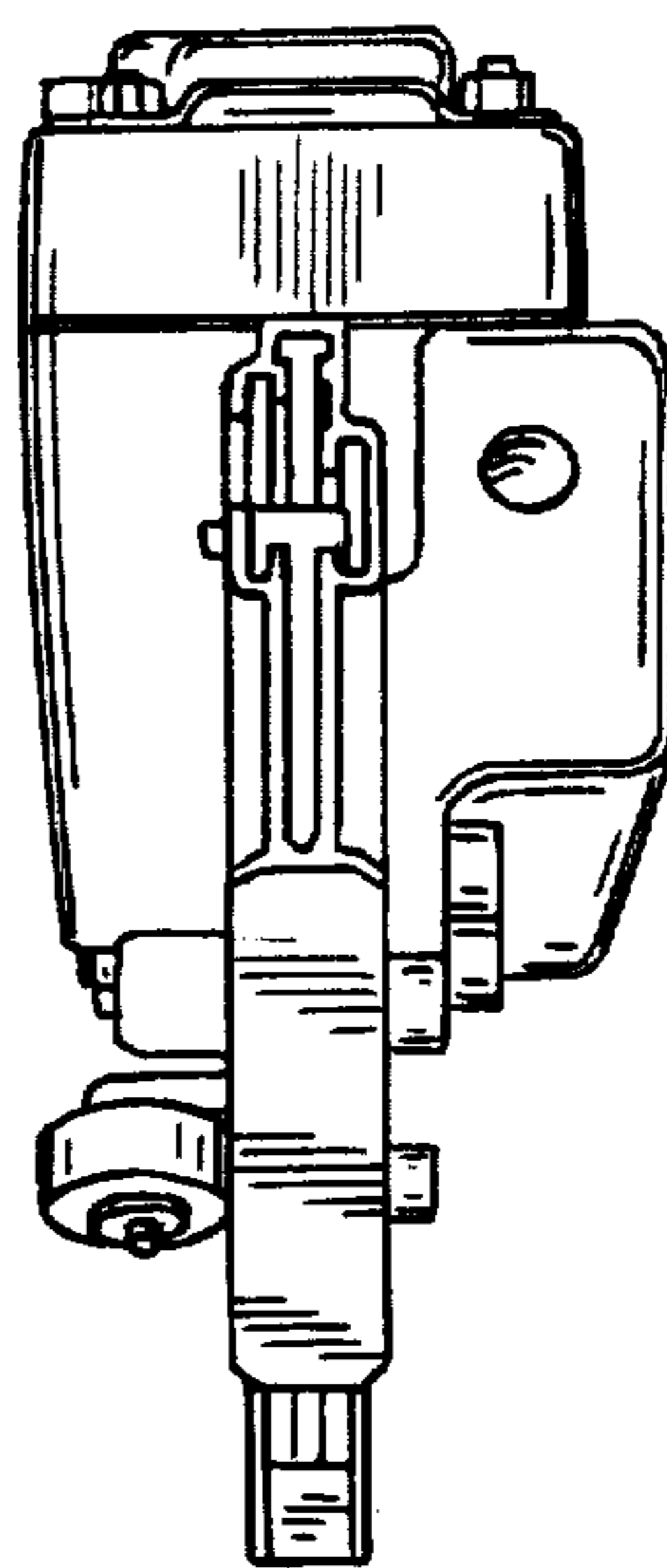
*FIG. 3*



**FIG. 4**



**FIG. 5**



**FIG. 6**