

[54] **FOOD CHOPPER**

[76] Inventor: **So Shun**, 77, Hoi Yuen Rd., Flat B,
2nd Flr., Yip Fat Industrial Bldg.,
Kwun Tong, Kowloon, Hong Kong

[**] Term: **14 Years**

[21] Appl. No.: **19,489**

[22] Filed: **Mar. 12, 1979**

[30] **Foreign Application Priority Data**

Feb. 26, 1979 [GB] United Kingdom 988727/79

[51] Int. Cl. **D07-04**

[52] U.S. Cl. **D7/155**

[58] Field of Search D7/99, 153, 155, 47;
D15/95, 97; 241/282.1, 285 R, 168, 169, 169.1,
82.1, 82.7, 82.6, 93

[56] **References Cited**

U.S. PATENT DOCUMENTS

D. 187,452 3/1960 **Mango** D7/155
D. 206,927 2/1967 **Popeil** D7/155

D. 215,390 9/1969 **McGee et al.** D7/155
D. 233,123 10/1974 **Rigamonti** D7/155

OTHER PUBLICATIONS

Rival Mfg. Co. Flyer, Item #B Food Grinder in left center panel.

Hardware Age, Jul. 30, 1959, p. 43, Universal Chopper Salad Maker, top right.

Good Housekeeping, Dec. 1973, p. 136, Electric Food Grinder at bottom of page, by Oster.

Primary Examiner—Winifred E. Herrmann
Attorney, Agent, or Firm—Wood, Herron & Evans

[57] **CLAIM**

The ornamental design for a food chopper, as shown.

DESCRIPTION

FIG. 1 is a top, front perspective view of a food chopper showing one side of my new design;
FIG. 2 is an elevational view of the side opposite that shown in FIG. 1;
FIG. 3 is a top plan view thereof; and
FIG. 4 is a rear elevational view thereof.

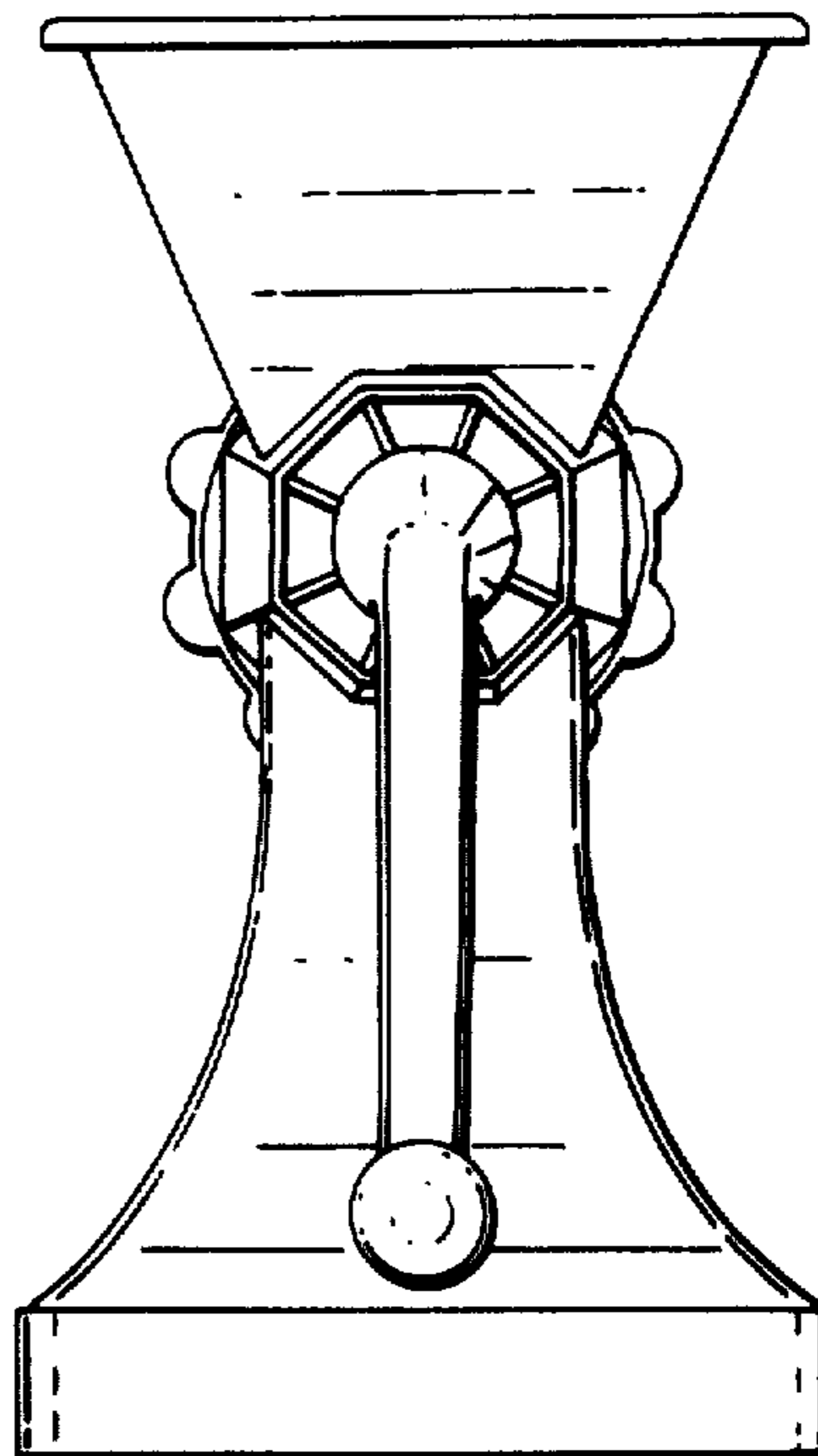
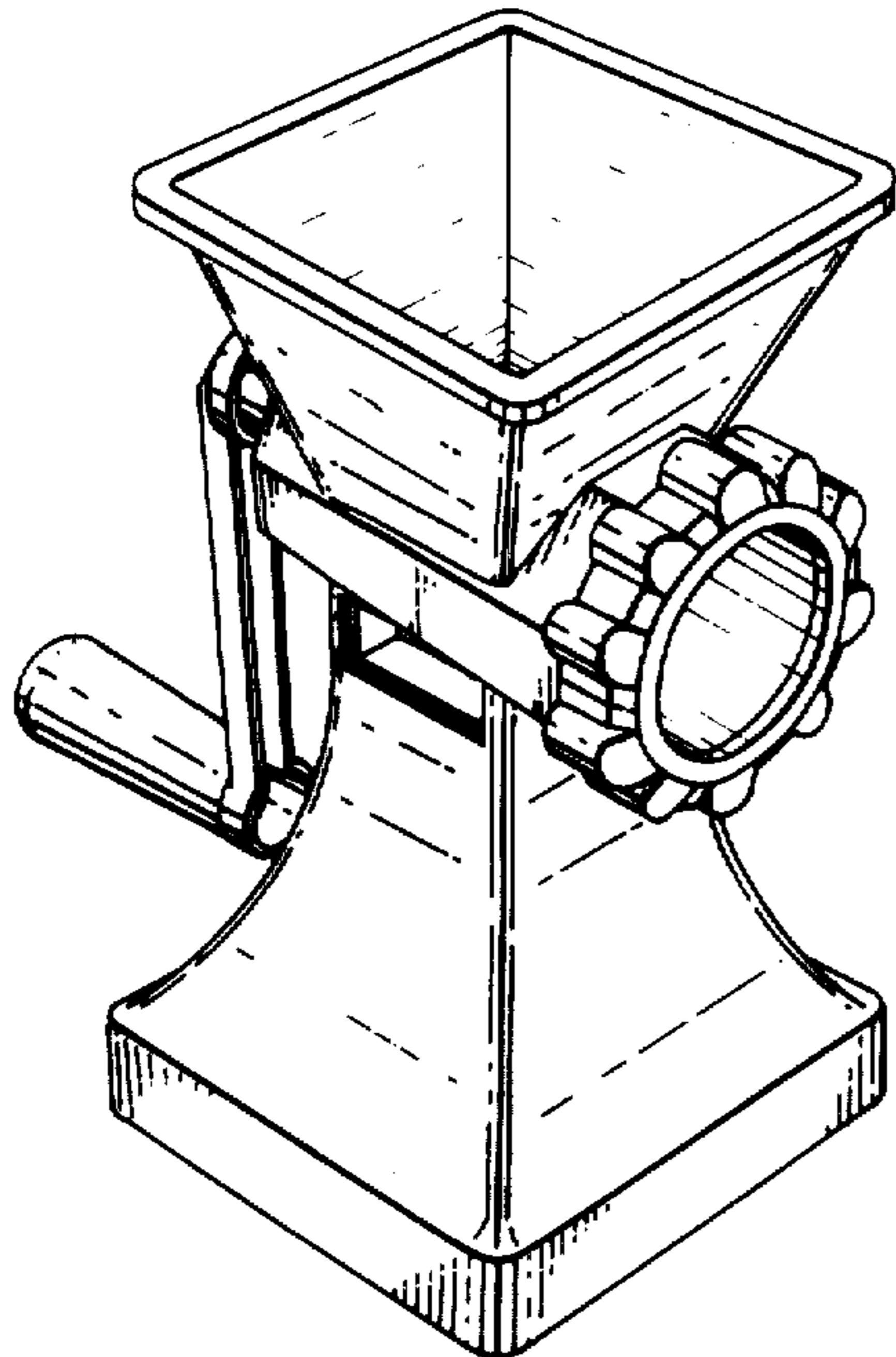


FIG. 1.

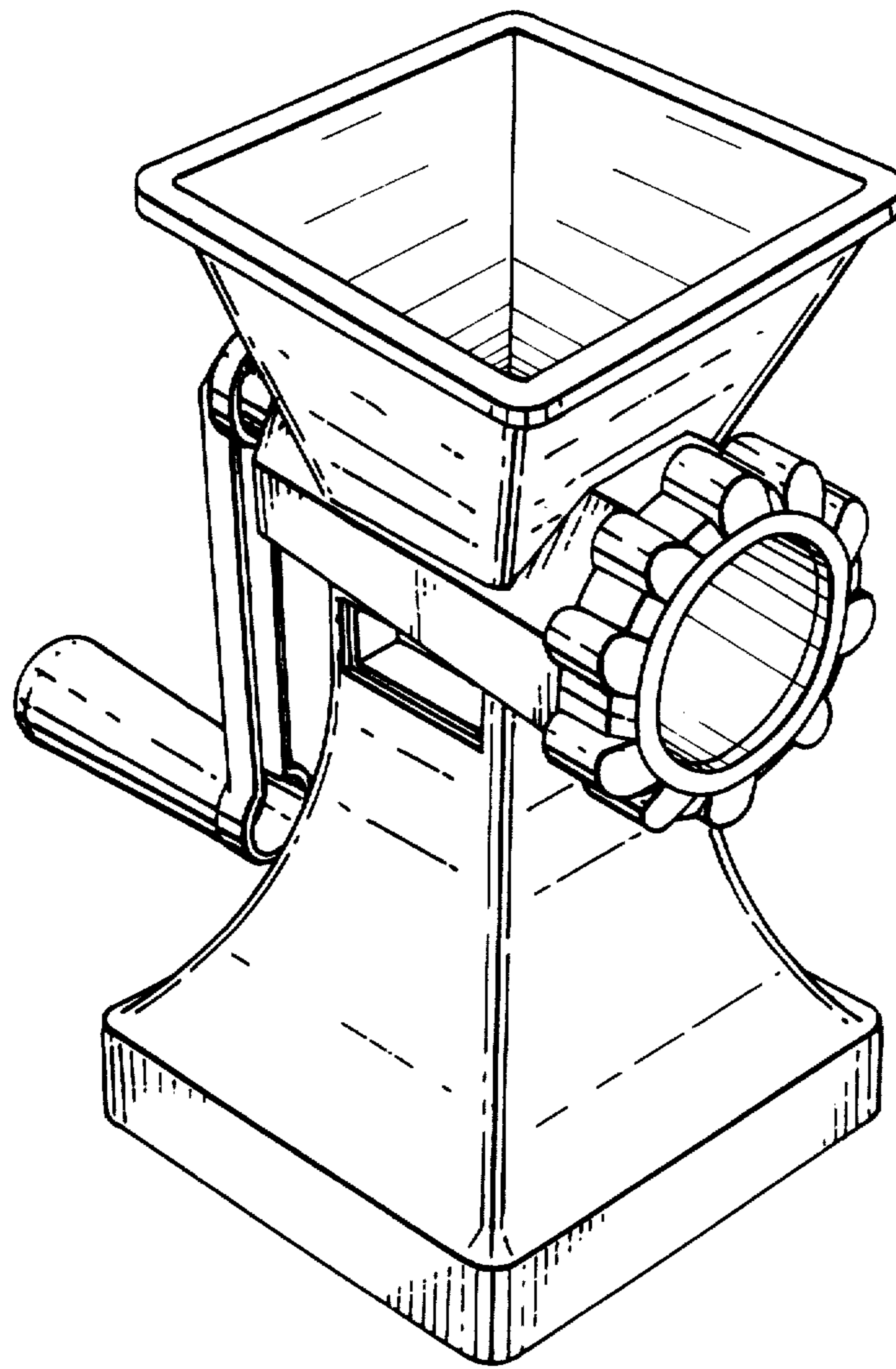


FIG. 2.

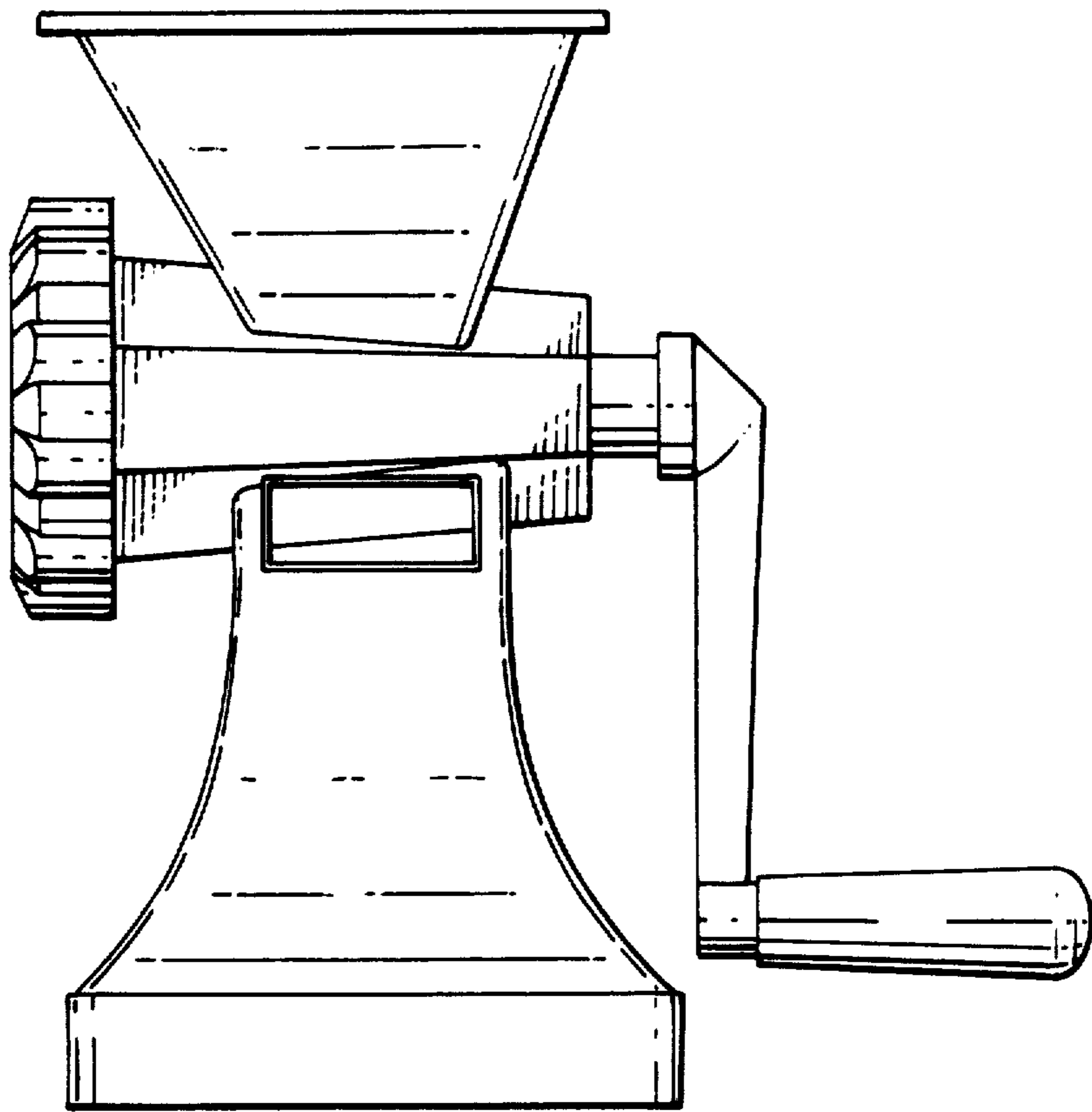


FIG. 3.

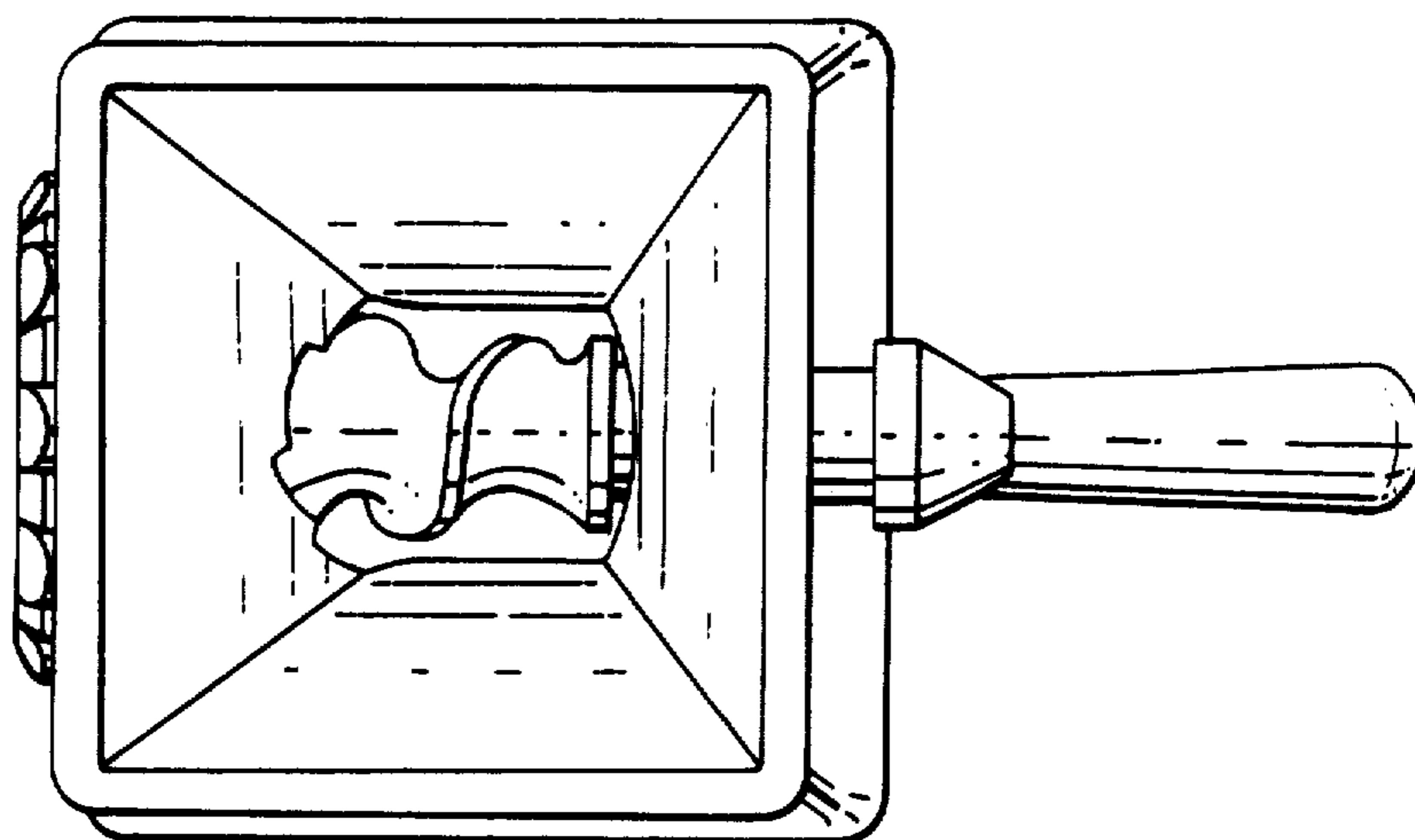


FIG. 4.

