

[54] ROTATABLE FOOD SERVING ASSEMBLY

[75] Inventors: Joseph W. Blake, South Salem, N.Y.; Richard H. Corbin, Westport; Peggy P. Neale, Bridgeport, both of Conn.

[73] Assignee: Dart Industries Inc., Los Angeles, Calif.

[**] Term: 14 Years

[21] Appl. No.: 51,278

[22] Filed: Jun. 22, 1979

[51] Int. Cl. D07-01

[52] U.S. Cl. D7/2; D7/3; D7/81

[58] Field of Search D7/2, 3, 4, 17, 81, D7/79, 76; 211/78, 131; 220/23.86

[56] References Cited

U.S. PATENT DOCUMENTS

D. 99,608 5/1936 Scurlock D7/81

D. 169,143	3/1953	Karoff	D7/2
D. 176,097	11/1955	Bonistall	D7/2
D. 208,806	10/1967	Bliss	D7/81
D. 212,109	8/1968	Taylor	D7/81
2,719,413	10/1955	Panzer	211/131 X
3,972,419	8/1976	Short	D7/2 X

OTHER PUBLICATIONS

New Yorker, Nov. 10, 1951, p. 61, Saks Fifth Ave. Adv., "The Spinning Susan".

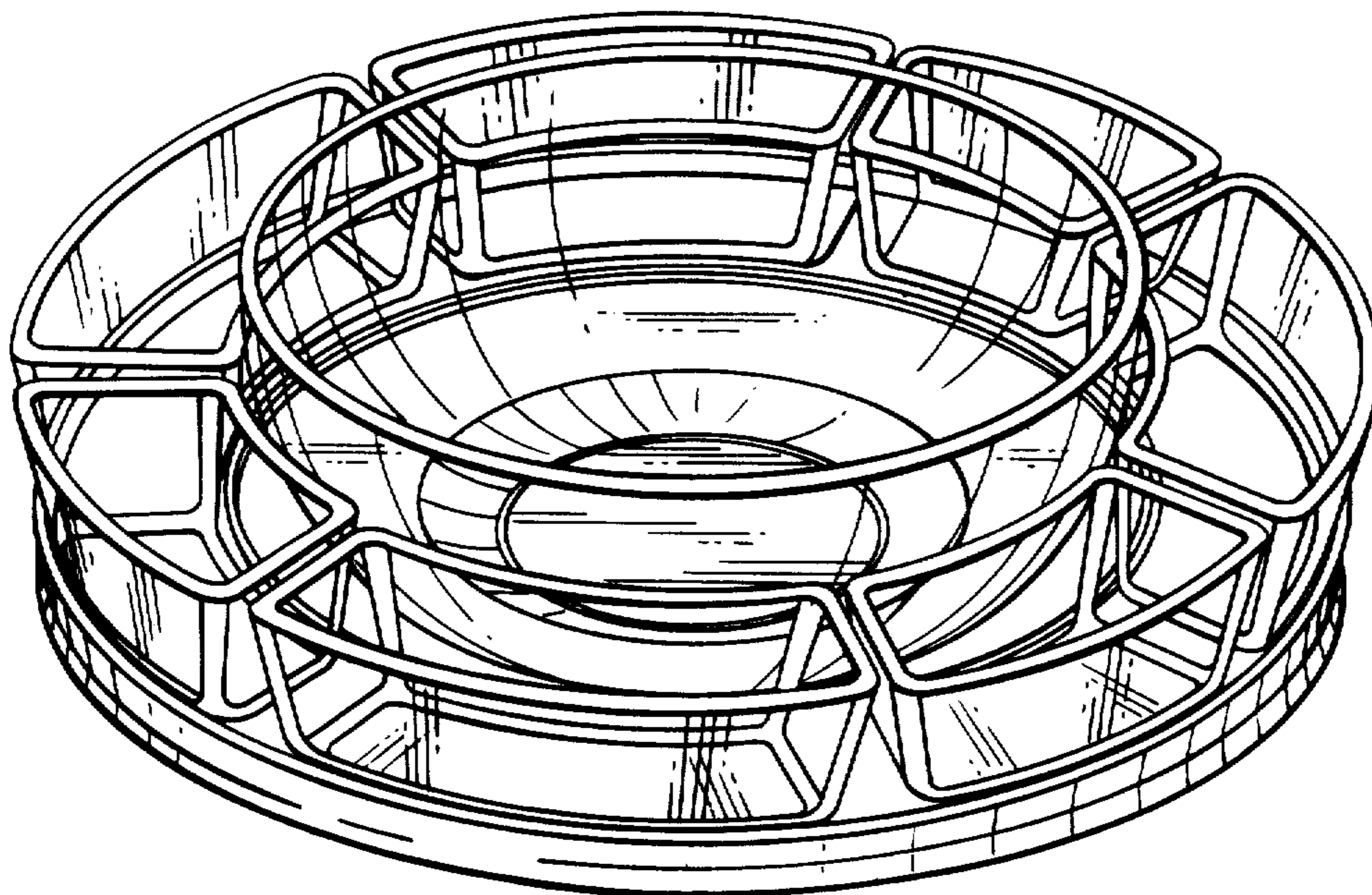
Primary Examiner—Winifred E. Herrmann
Attorney, Agent, or Firm—Kenneth J. Hovet

[57] CLAIM

The ornamental design for a rotatable food serving assembly, substantially as shown.

DESCRIPTION

FIG. 1 is a perspective view of a rotatable food serving assembly showing our new design; FIG. 2 is a top plan view; FIG. 3 is a side elevational view; and, FIG. 4 is a bottom plan view.



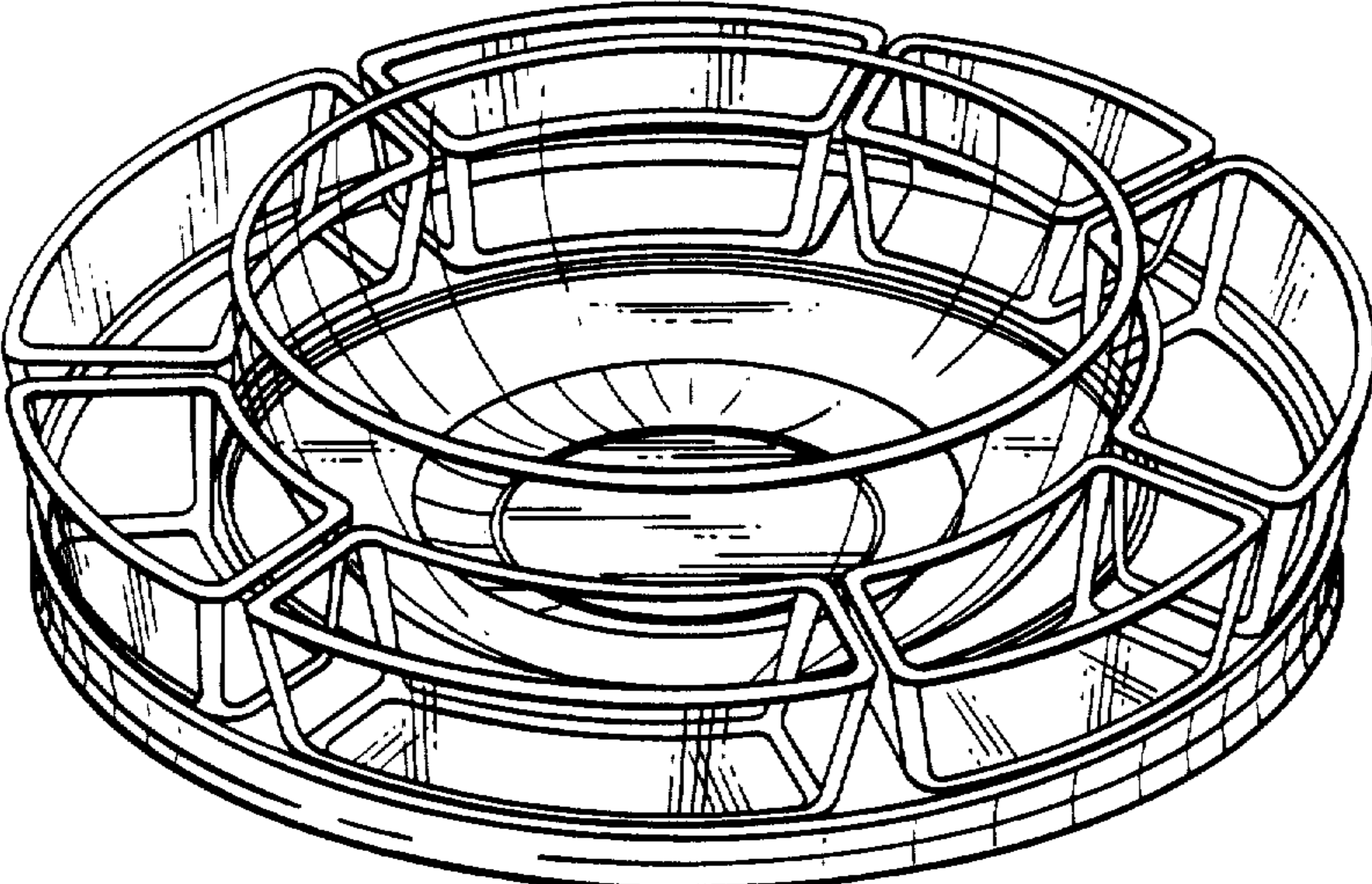


FIG. 1

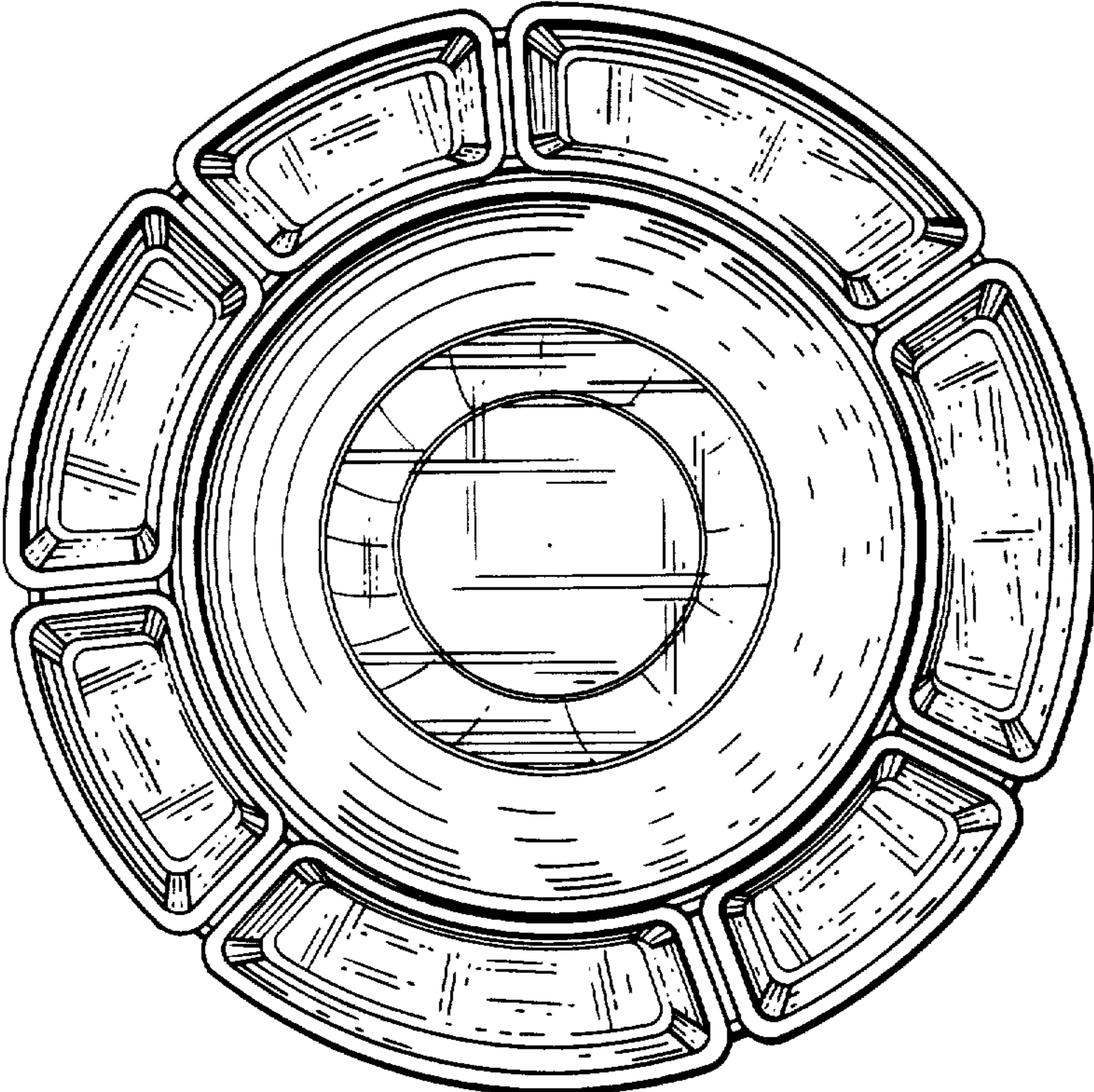


FIG. 2

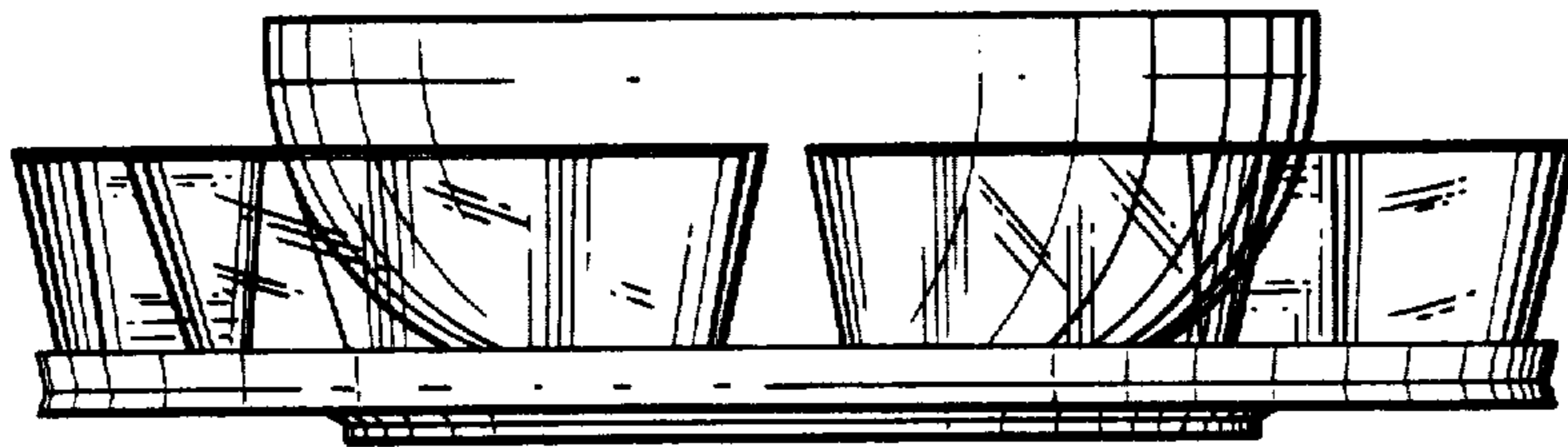


FIG. 3

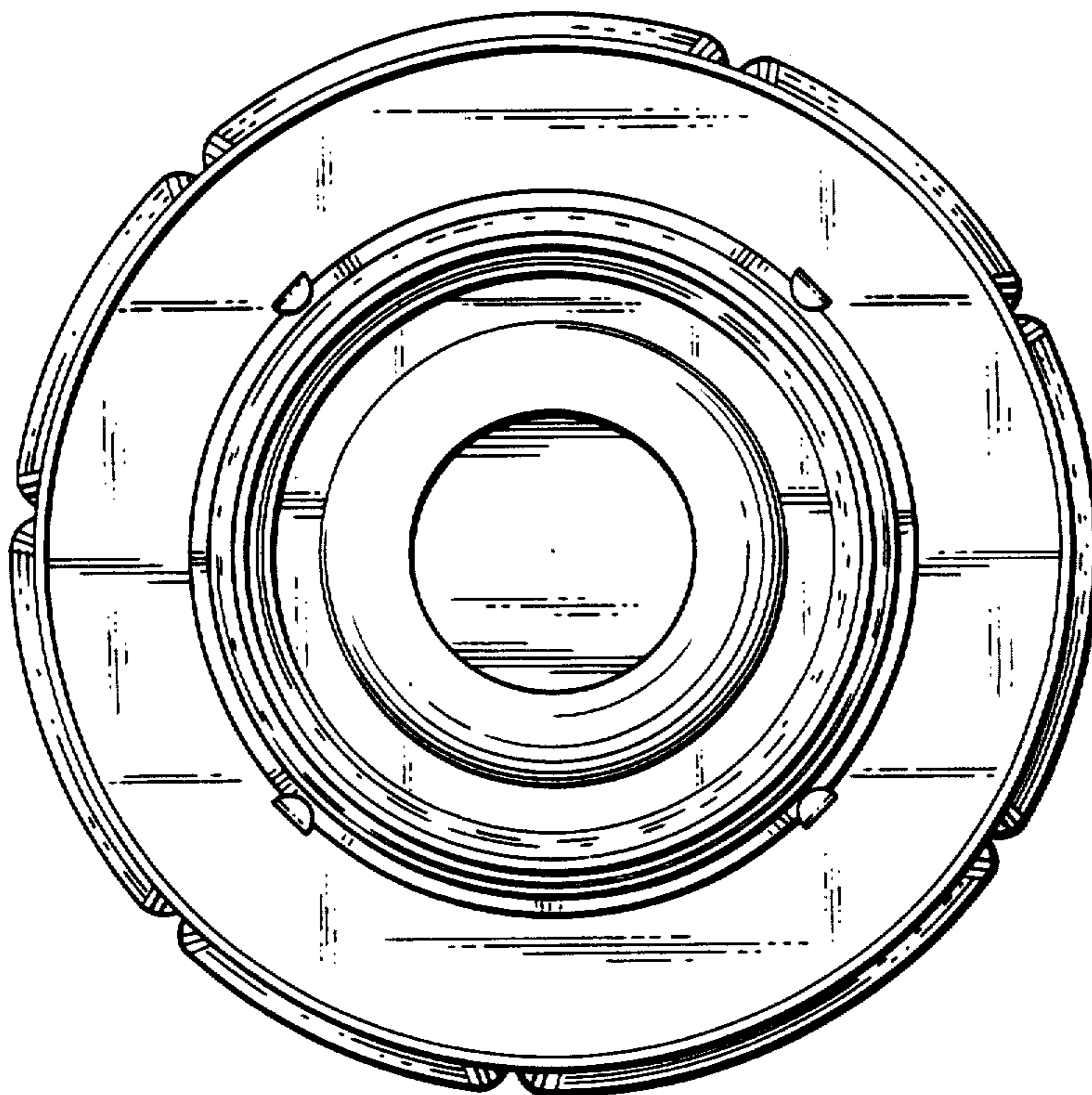


FIG. 4