

[54] TABLE BASE

[76] Inventor: Penelope J. Harrison, 4747 Kester Ave., Apt. 107, Sherman Oaks, Calif. 91403

[**] Term: 14 Years

[21] Appl. No.: 28,062

[22] Filed: Apr. 6, 1979

[51] Int. Cl. D6-06

[52] U.S. Cl. D6/196

[58] Field of Search D6/175, 177, 178, 179, D6/196, 146; 403/169, 174, 175; 297/440, 441; 248/188.1; D14/36; D21/245

[56] References Cited

U.S. PATENT DOCUMENTS

D. 236,401	8/1975	Hoshall et al.	D6/177
D. 248,137	6/1978	Petersen	D6/146
2,755,981	7/1956	Edwards	403/174 X

3,695,702	10/1972	Ingellis	297/441
3,863,875	2/1975	Olson	248/188.1
4,041,881	8/1977	Textoris	248/188.1 X

OTHER PUBLICATIONS

Hammacher Schlemmer, Spring & Summer 1976, p. 3, Table top center.

Cosco Cat., Table lower left, No. 51-158-150.

Primary Examiner—Bruce W. Dunkins

[57] CLAIM

The ornamental design for a table base, substantially as shown.

DESCRIPTION

FIG. 1 is a front perspective view of a table base illustrating the new design;

FIG. 2 is a top plan view thereof;

FIG. 3 is a right side elevation view thereof;

FIG. 4 is a left side elevation view thereof; and

FIG. 5 is a bottom plan view thereof.

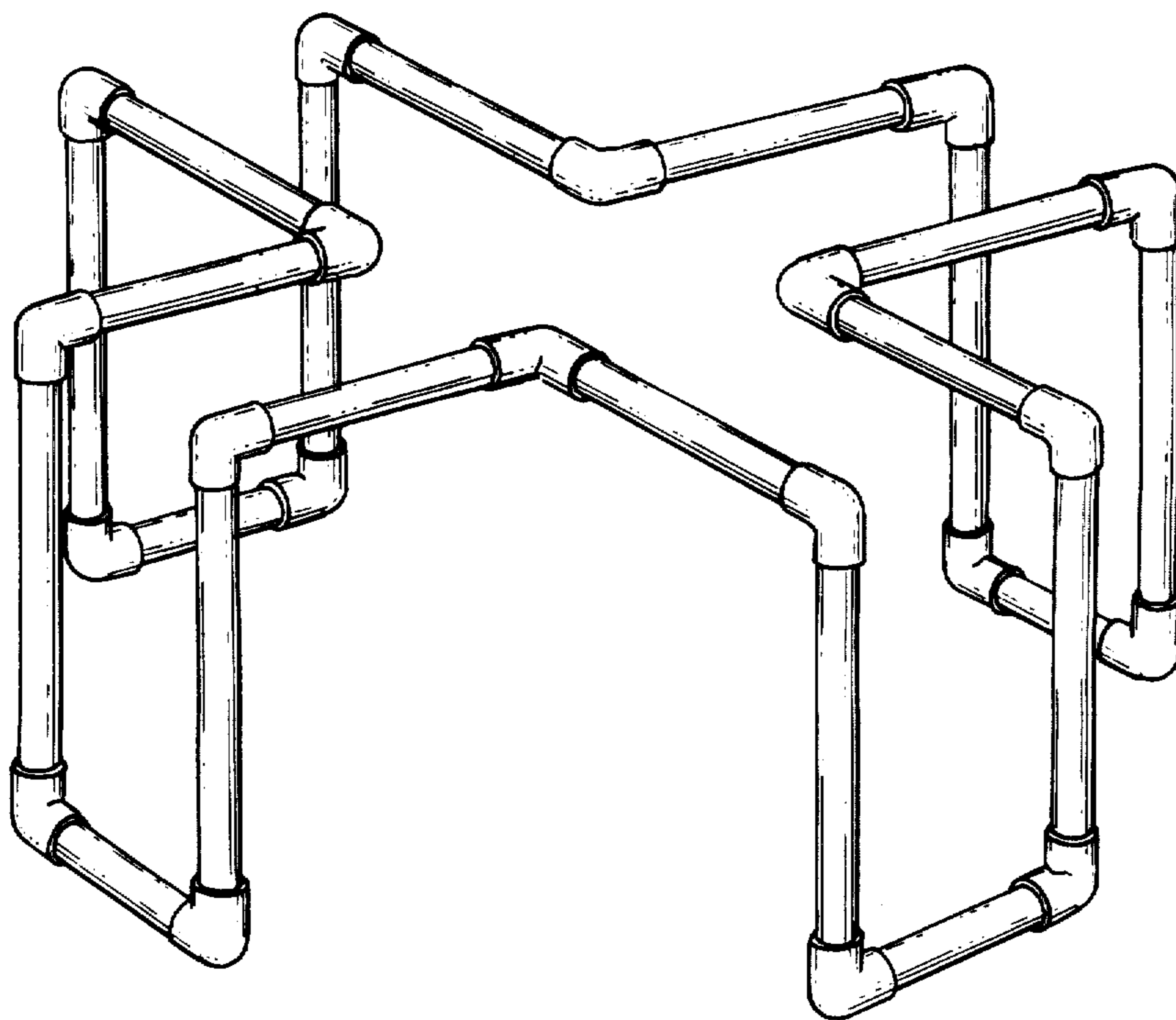


Fig. 1

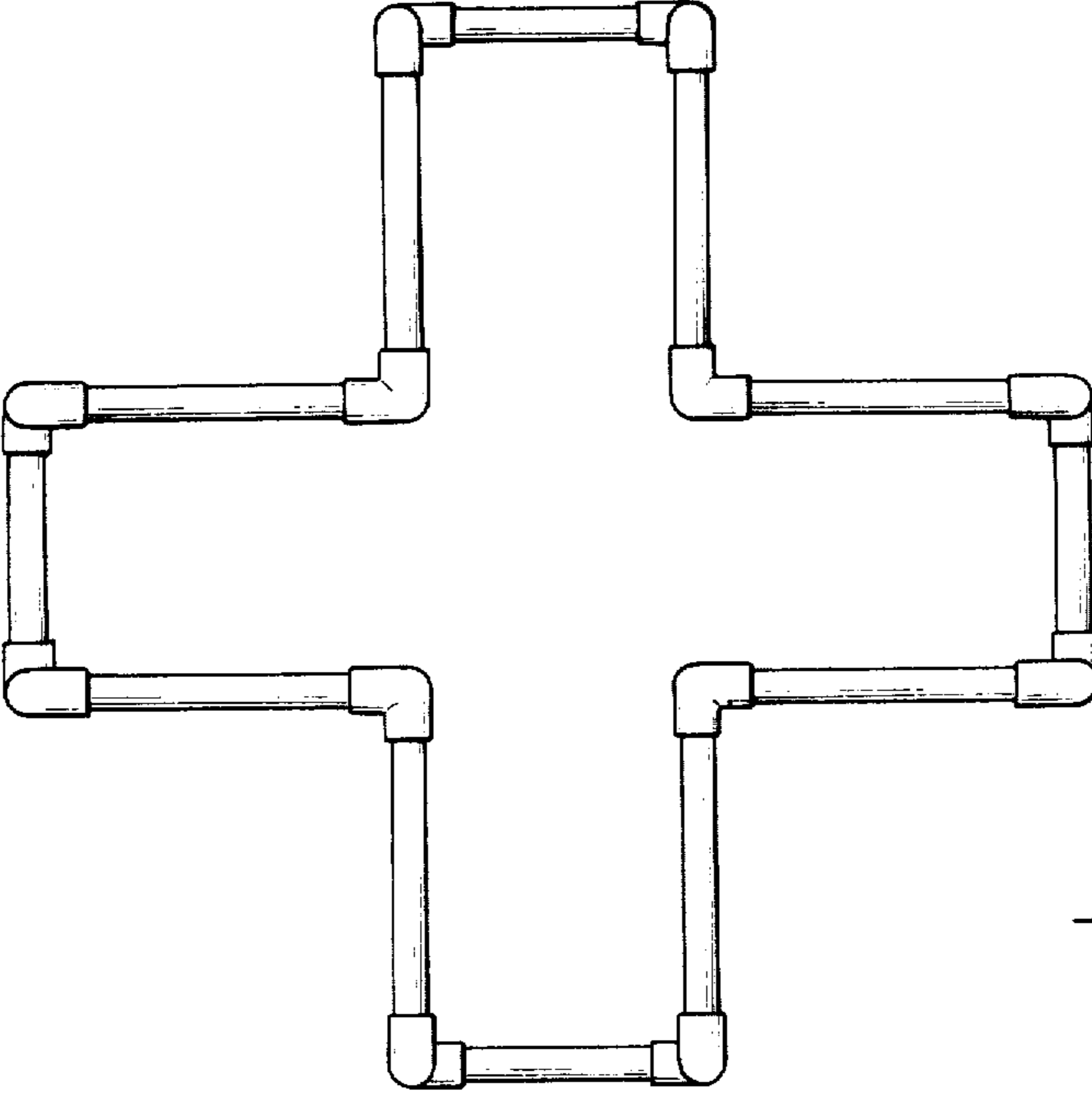
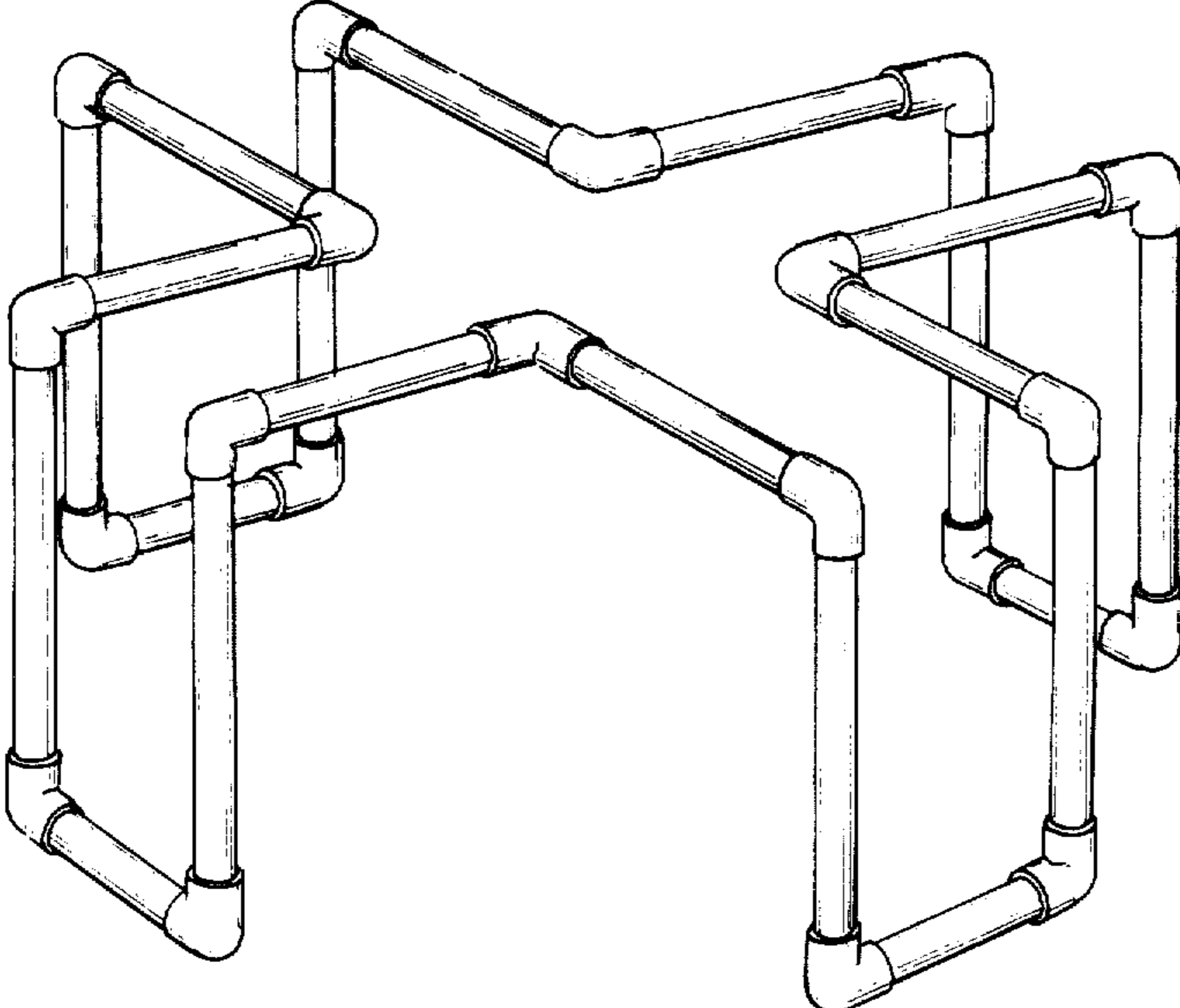


Fig. 2

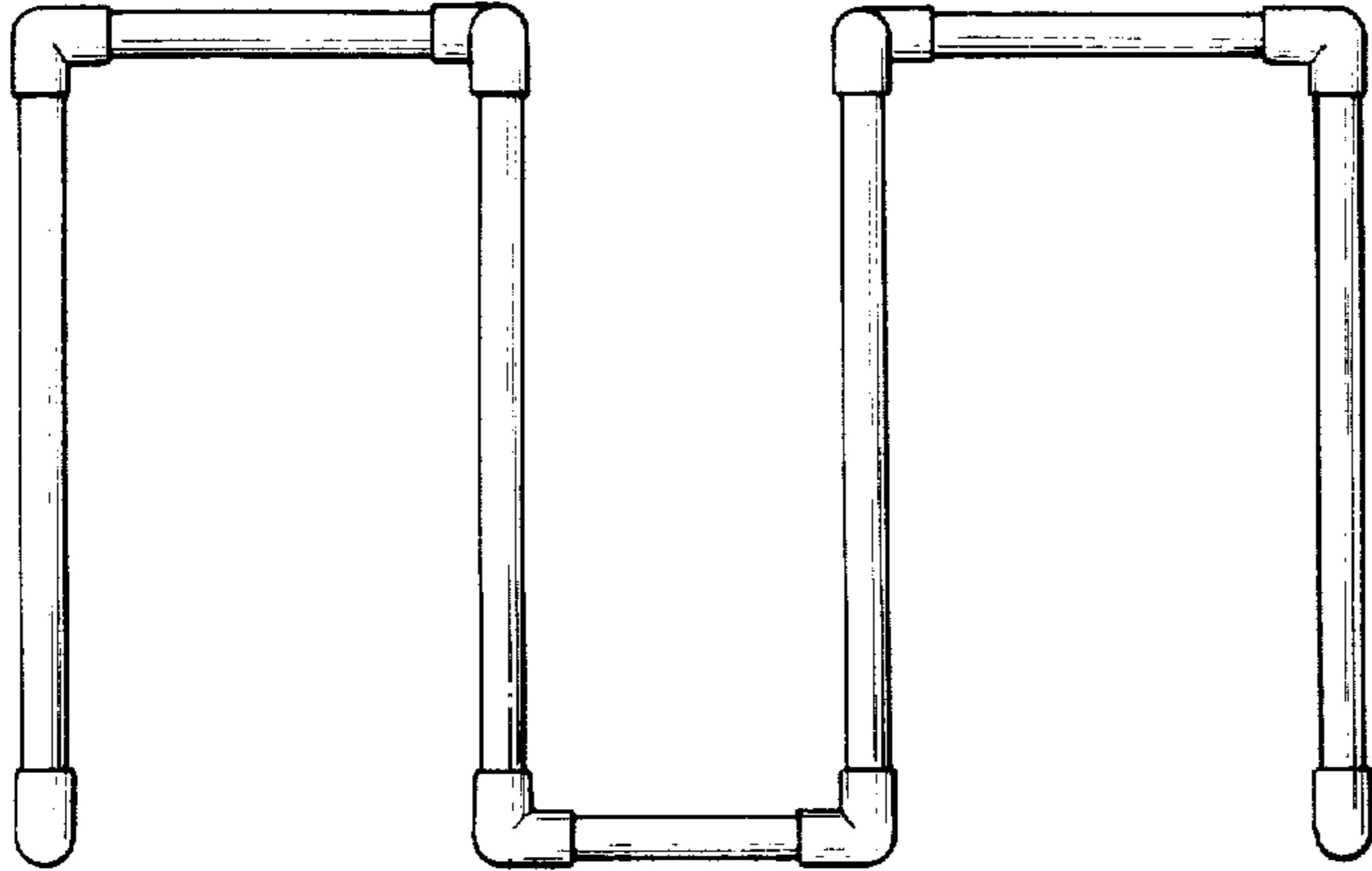


Fig. 3

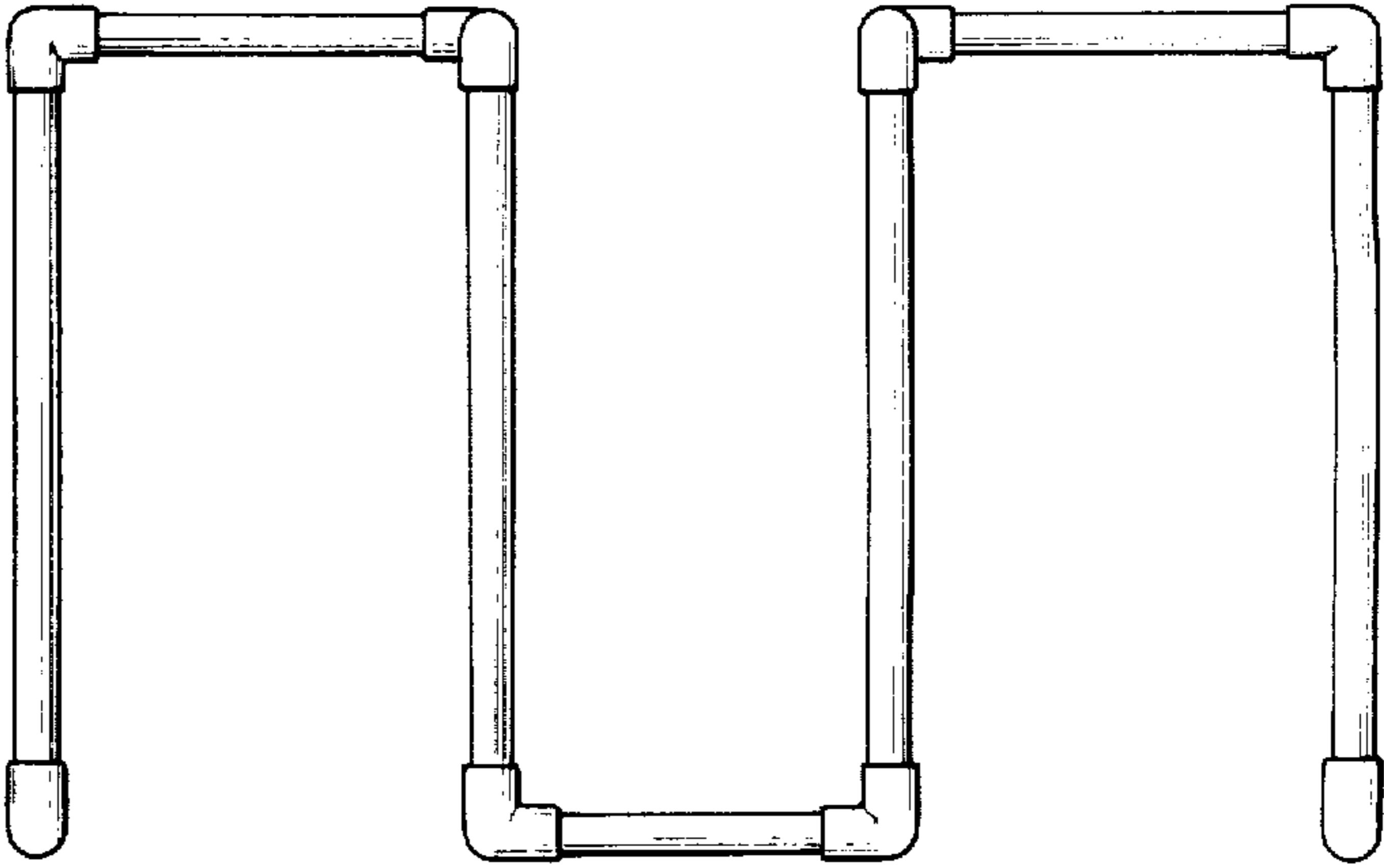


Fig. 4

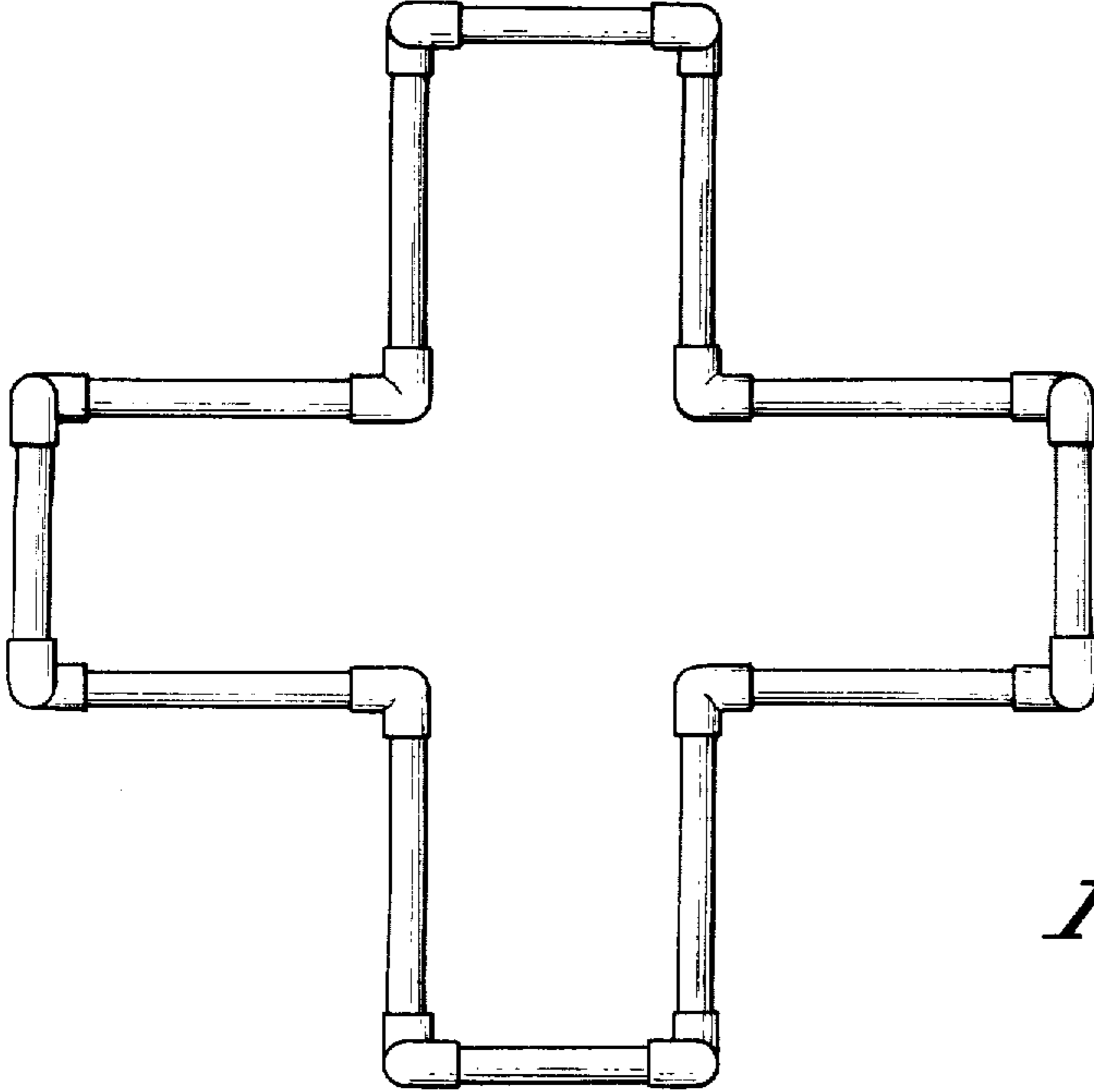


Fig. 5