

[54] **CORNER CONNECTOR FOR A TRAY OR SIMILAR ARTICLE**

[75] **Inventor:** Terence Hardy, Nether Heage, England

[73] **Assignee:** L.B. (Plastics) Limited, Derby, England

[\*\*] **Term:** 14 Years

[21] **Appl. No.:** 971,328

[22] **Filed:** Dec. 20, 1978

[51] **Int. Cl.** ..... D6-06

[52] **U.S. Cl.** ..... D6/191

[58] **Field of Search** ..... D6/177-179, D6/191; 403/169, 170

[56]

**References Cited**

**U.S. PATENT DOCUMENTS**

3,343,309	9/1967	Netz et al. ....	403/169 X
4,032,242	6/1977	Morris .....	403/169 X
4,076,432	2/1978	Glaser .....	D6/191 X

*Primary Examiner*—Bruce W. Dunkins  
*Attorney, Agent, or Firm*—Marshall & Yeasting

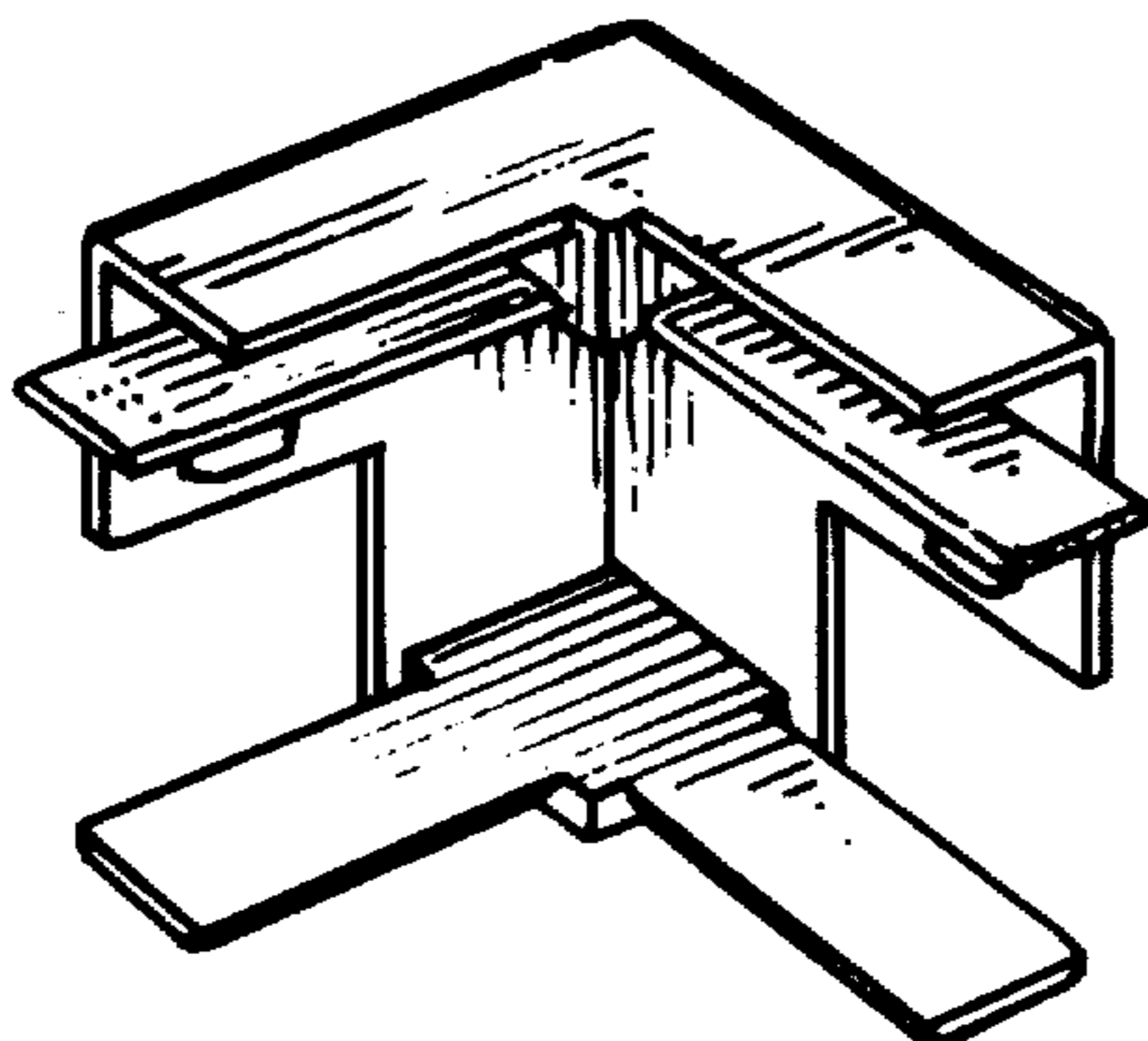
[57]

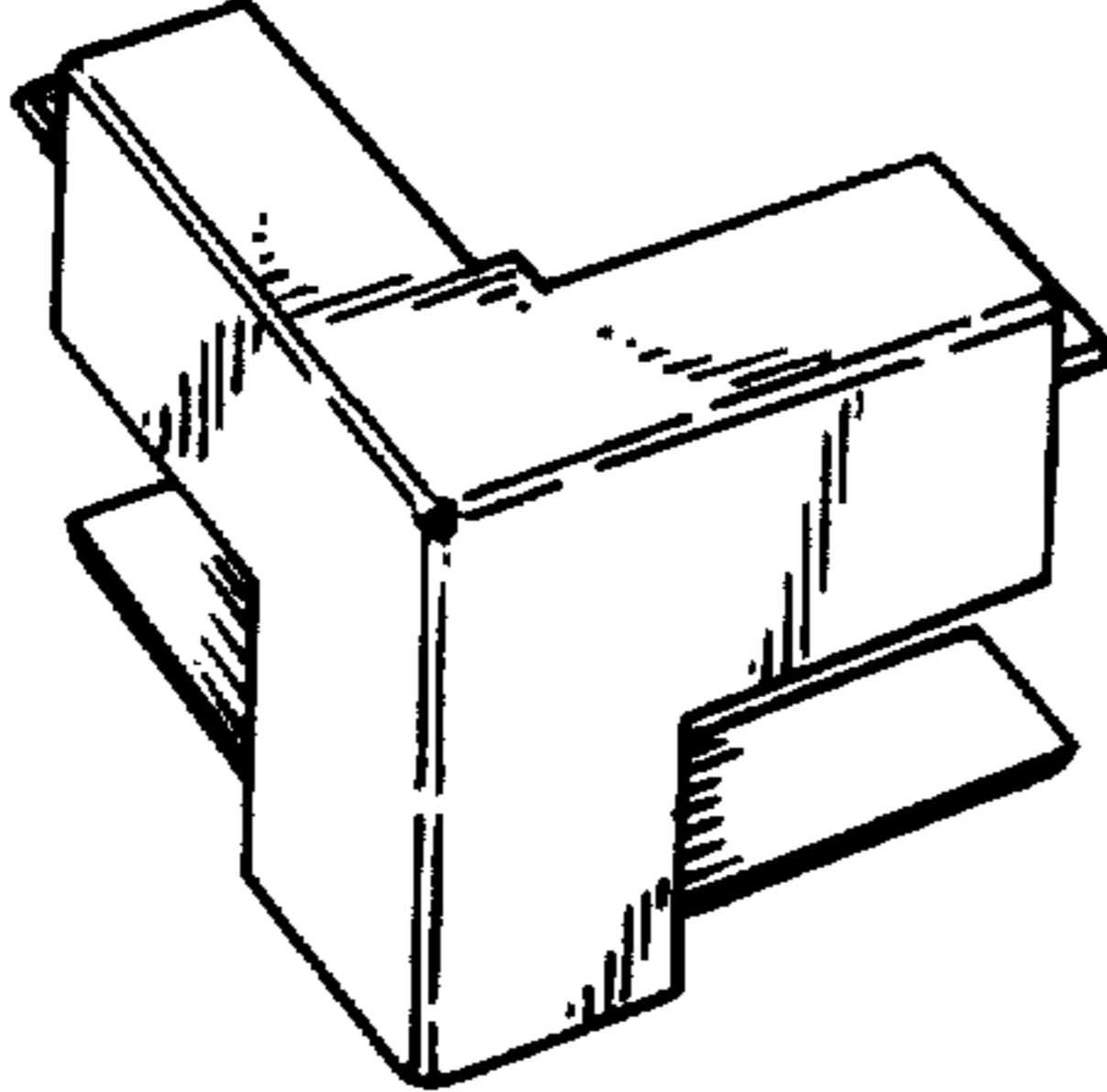
**CLAIM**

The ornamental design of a corner connector for a tray or similar article, as shown and described.

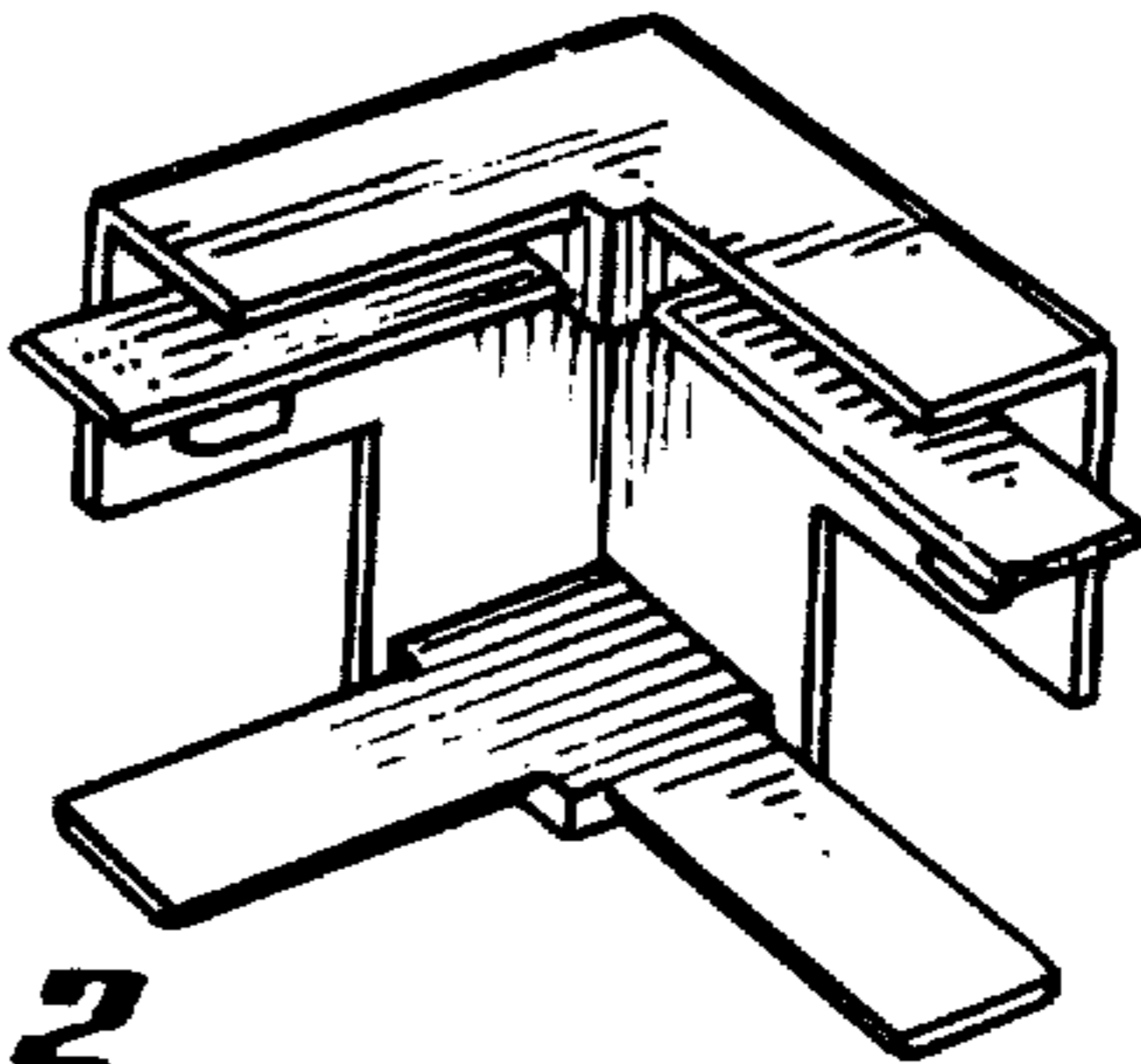
**DESCRIPTION**

FIG. 1 is an outside perspective view from above of a connector embodying my design;  
FIG. 2 is an inside perspective view thereof from above;  
FIG. 3 is an inside perspective view thereof from below.

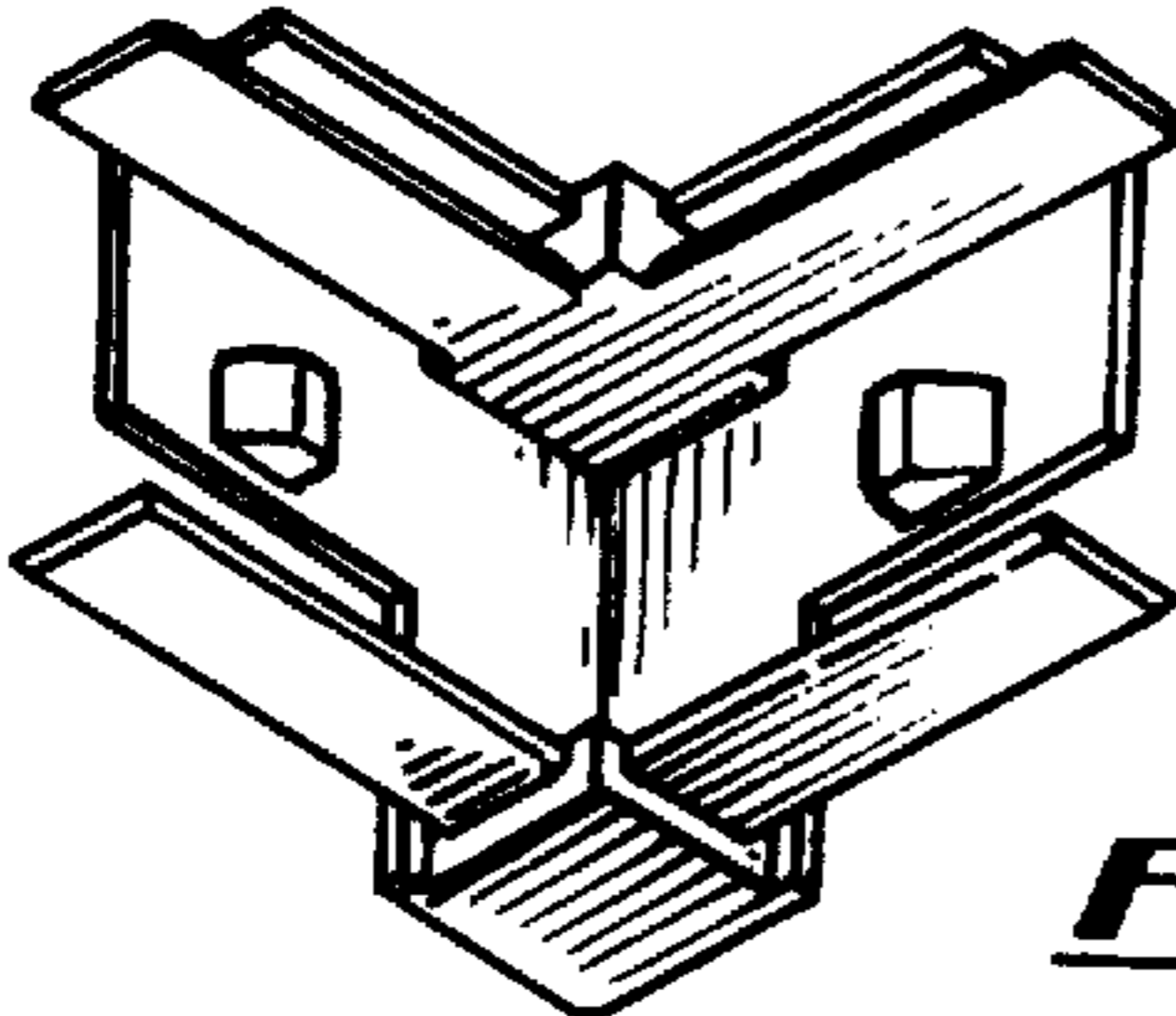




**FIG. 1**



**FIG. 2**



**FIG. 3**