

[54] MACRAME POLE

[76] Inventor: Richard Savage, 3089 Bay Plz., Saginaw, Mich. 48603

[**] Term: 14 Years

[21] Appl. No.: 924,877

[22] Filed: Jul. 14, 1978

[51] Int. Cl. D6-06

[52] U.S. Cl. D6/176; D6/28; D6/29

[58] Field of Search D6/1, 20, 22, 25, 27, D6/28, 29, 31, 85, 155, 157, 176, 177, 179, 180, 194, 196; 135/67, DIG. 11; 223/120; 211/199; 248/124, 125, 158, 167, 188.4, 188.7, 435, 676

[56] References Cited

U.S. PATENT DOCUMENTS

D. 175,026 6/1955 Kralovec D6/1
D. 184,925 4/1959 Friend 248/188.7

649,900 5/1900 Brennan 248/124
1,130,191 3/1915 O'Brien 248/158
4,111,471 9/1978 Hanley D6/20

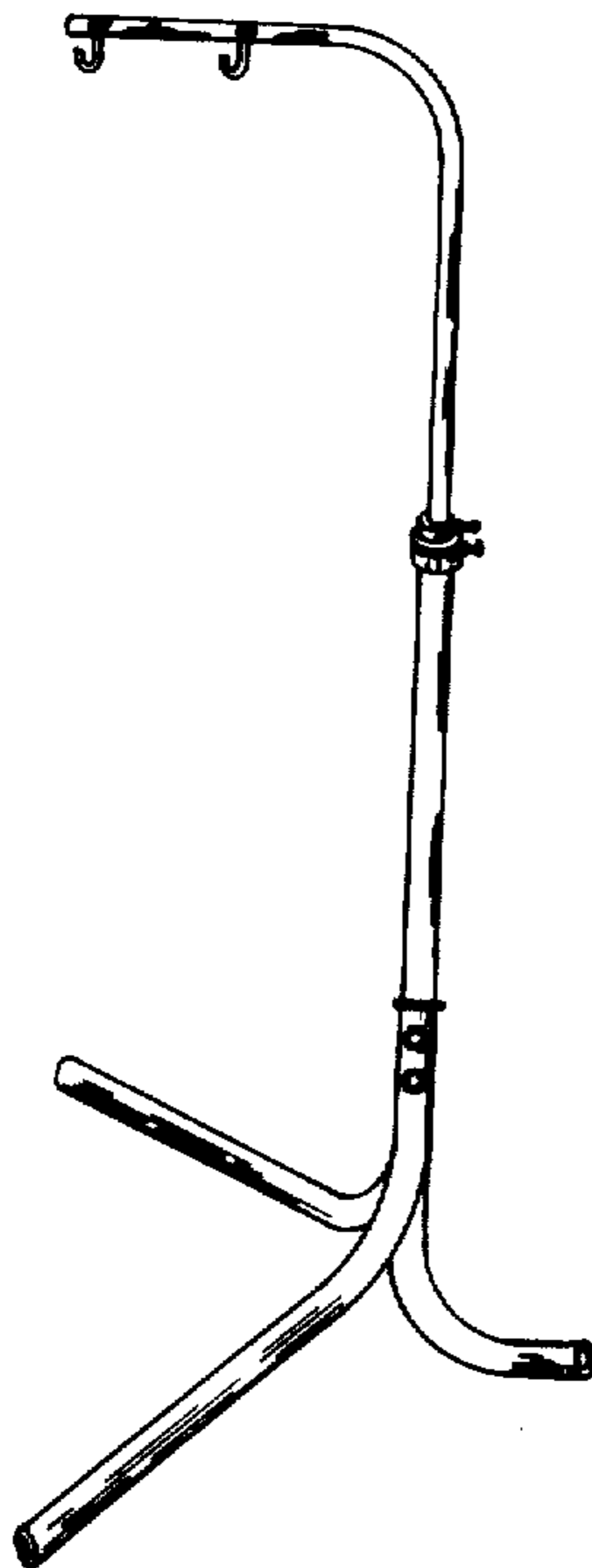
Primary Examiner—George G. Stellar
Attorney, Agent, or Firm—John J. Swartz

[57] CLAIM

The ornamental design for a macrame pole, substantially as shown and described.

DESCRIPTION

FIG. 1 is a perspective view of a macrame pole showing my new design;
FIG. 2 is a side elevational view thereof; the opposite side being a mirror image thereof with the exception that the opposite side would show the ends of two bolts with nuts thereon instead of the bolt heads illustrated in FIG. 2;
FIG. 3 is a top plan view thereof;
FIG. 4 is a rear elevational view thereof;
FIG. 5 is a front elevational view thereof; and
FIG. 6 is an bottom plan view thereof.



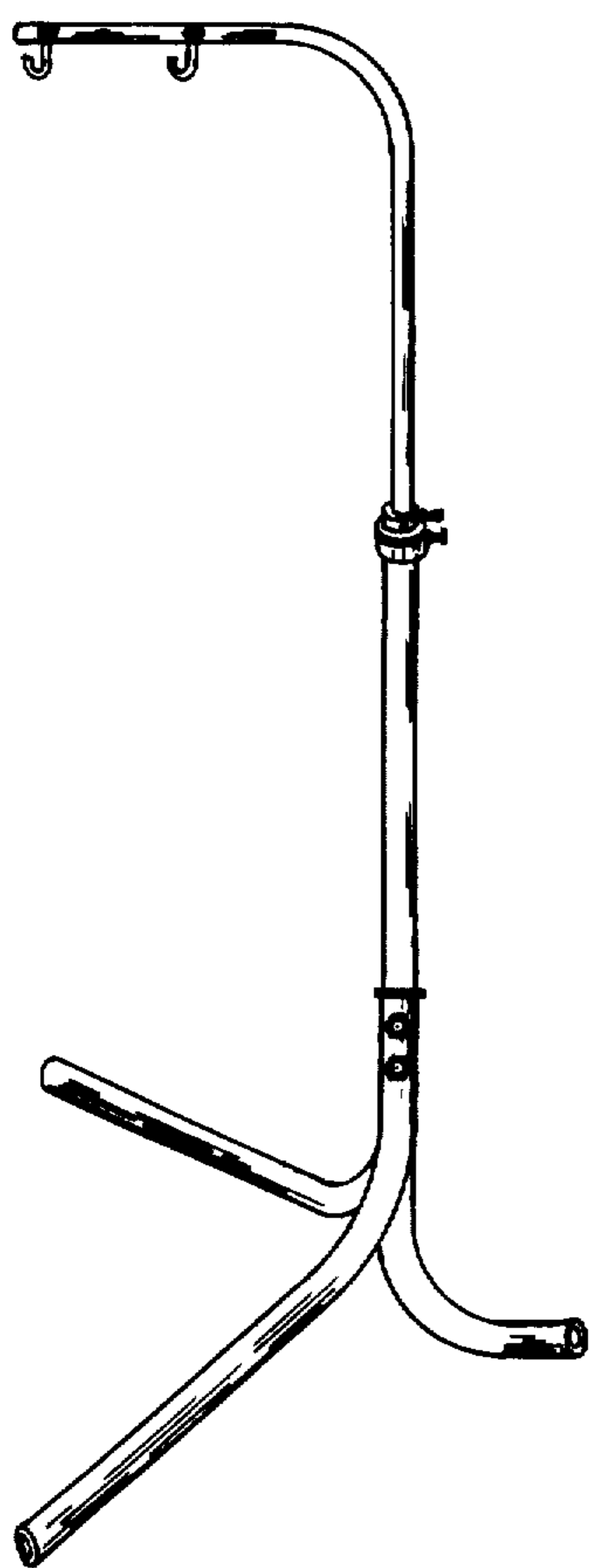


Fig. 1

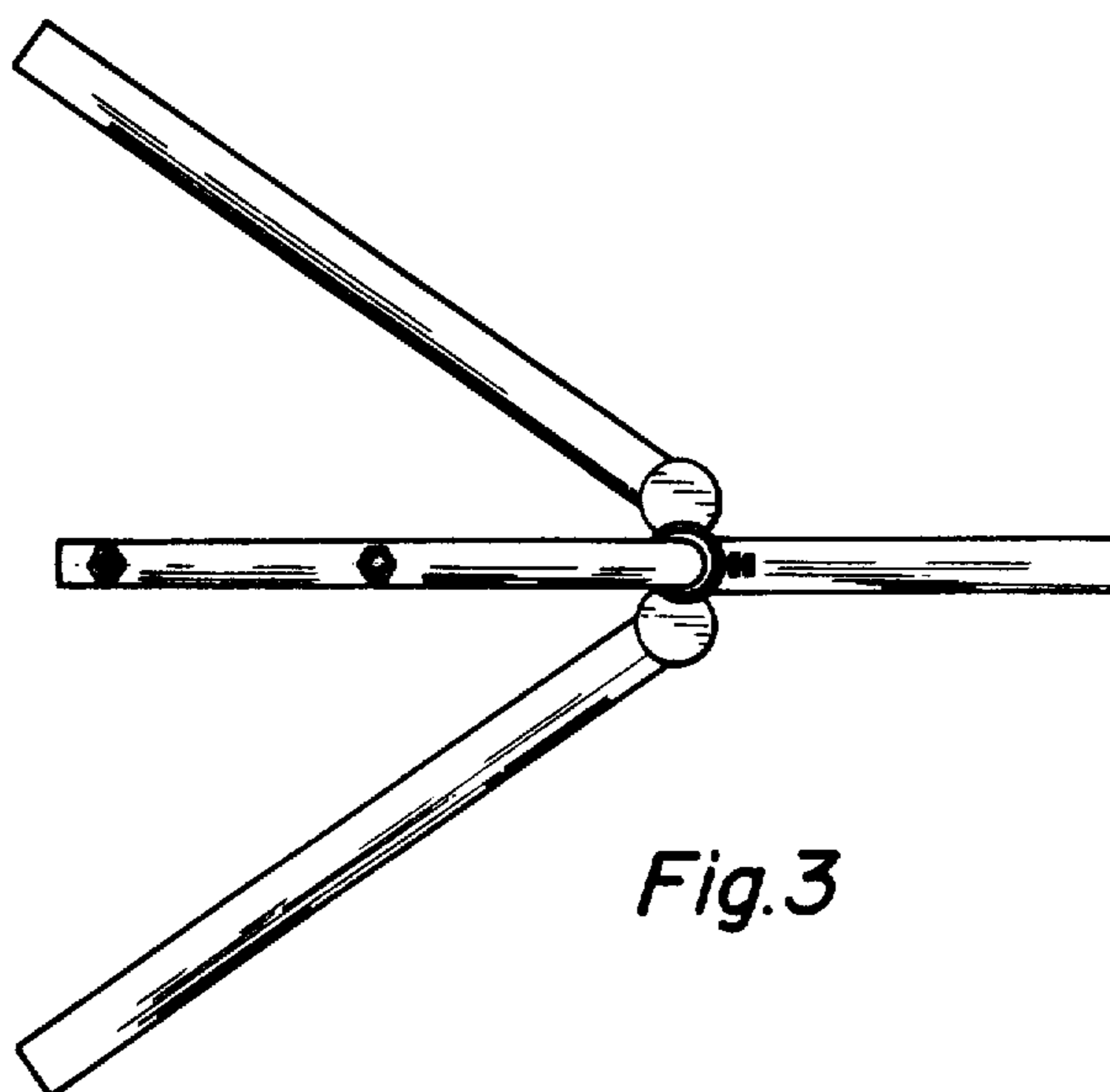


Fig. 3

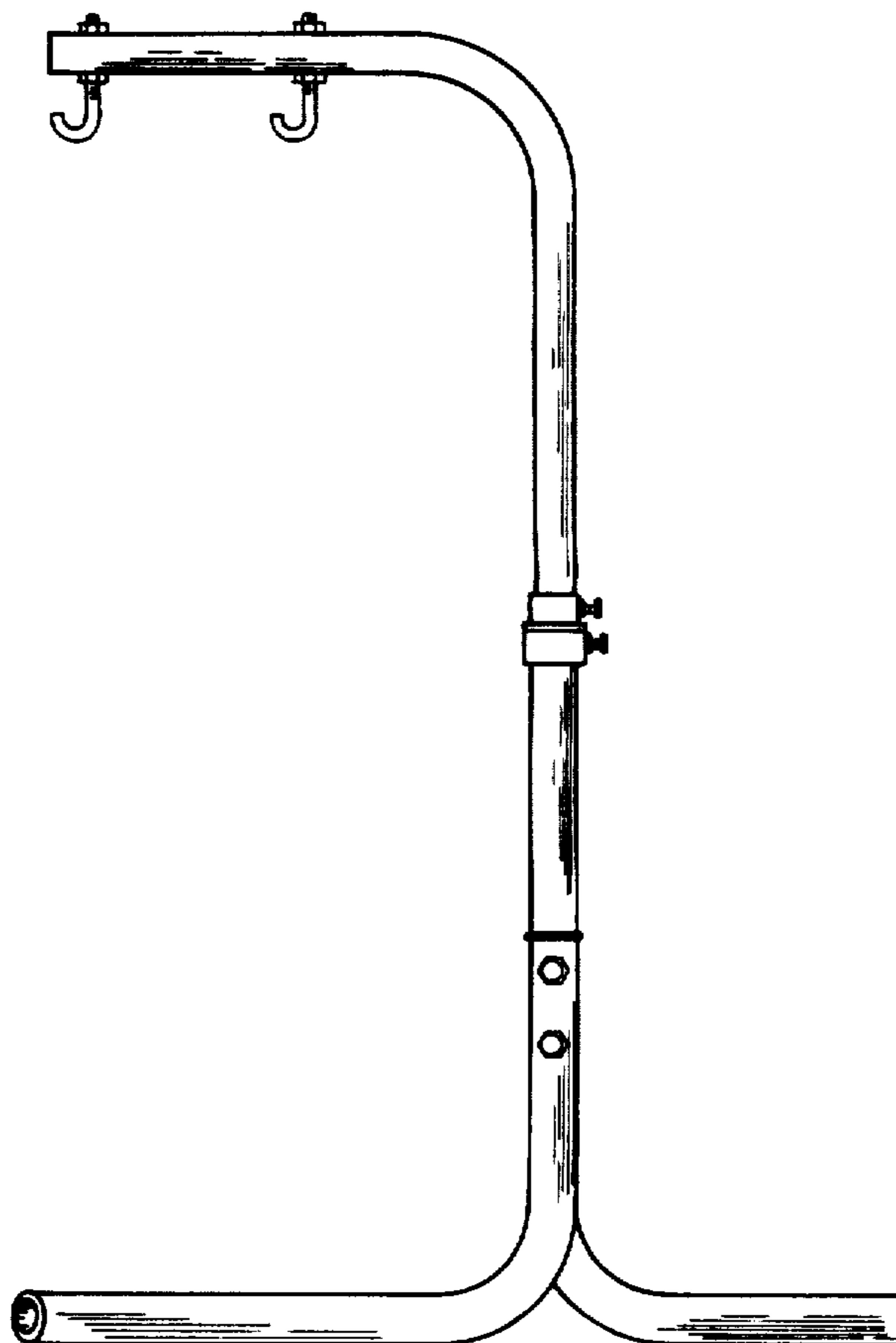


Fig. 2

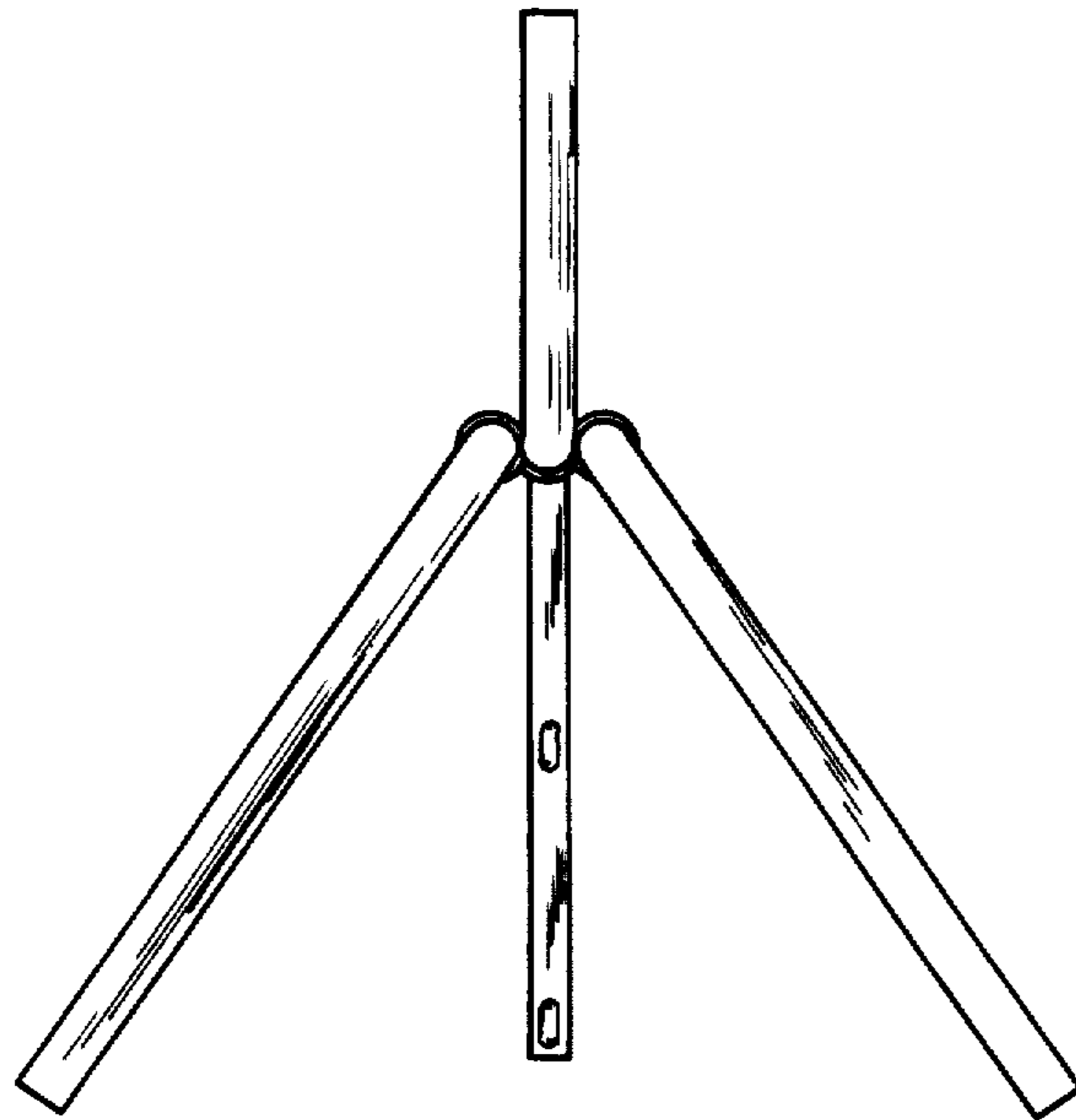


Fig.6

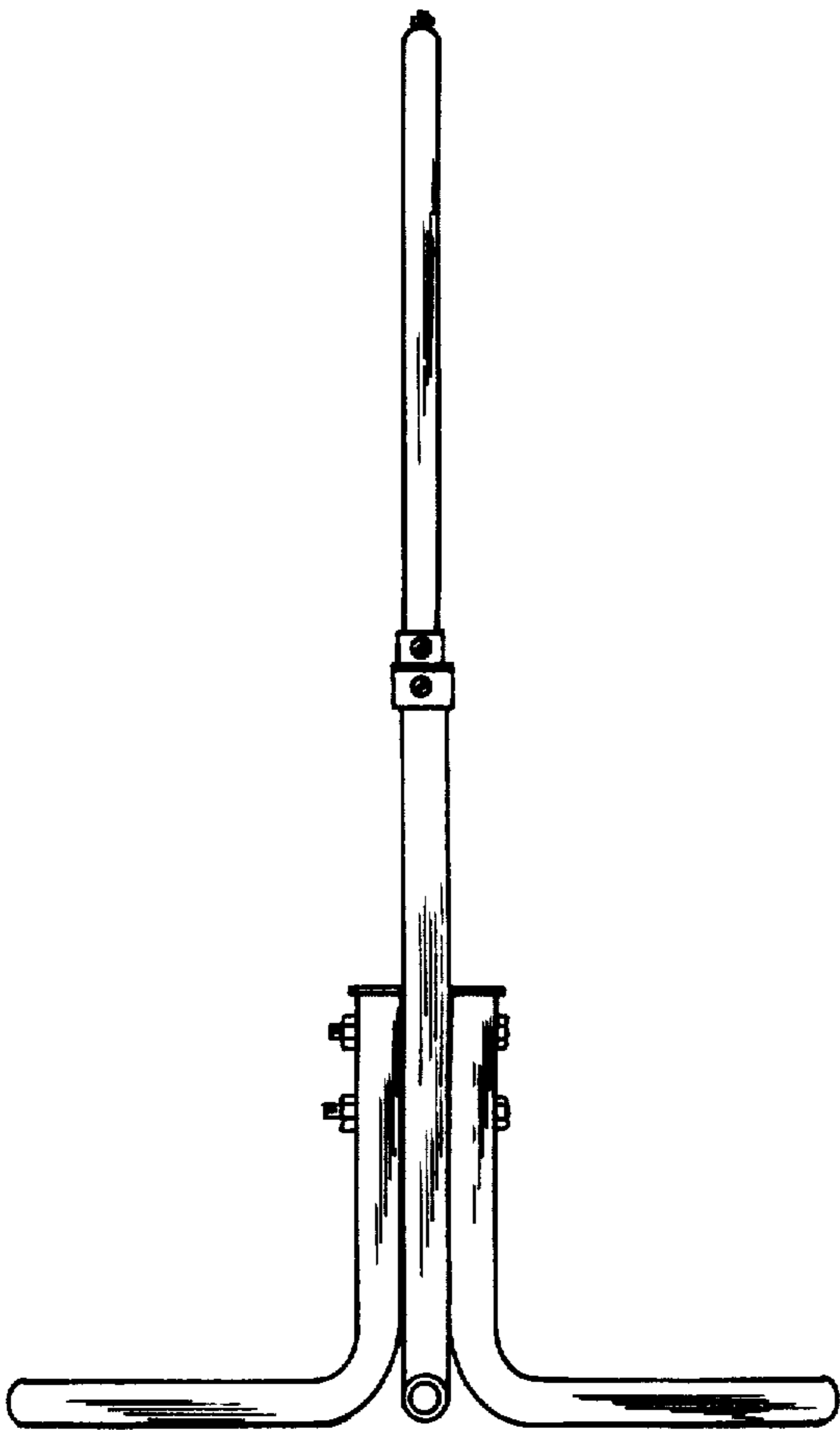


Fig.4

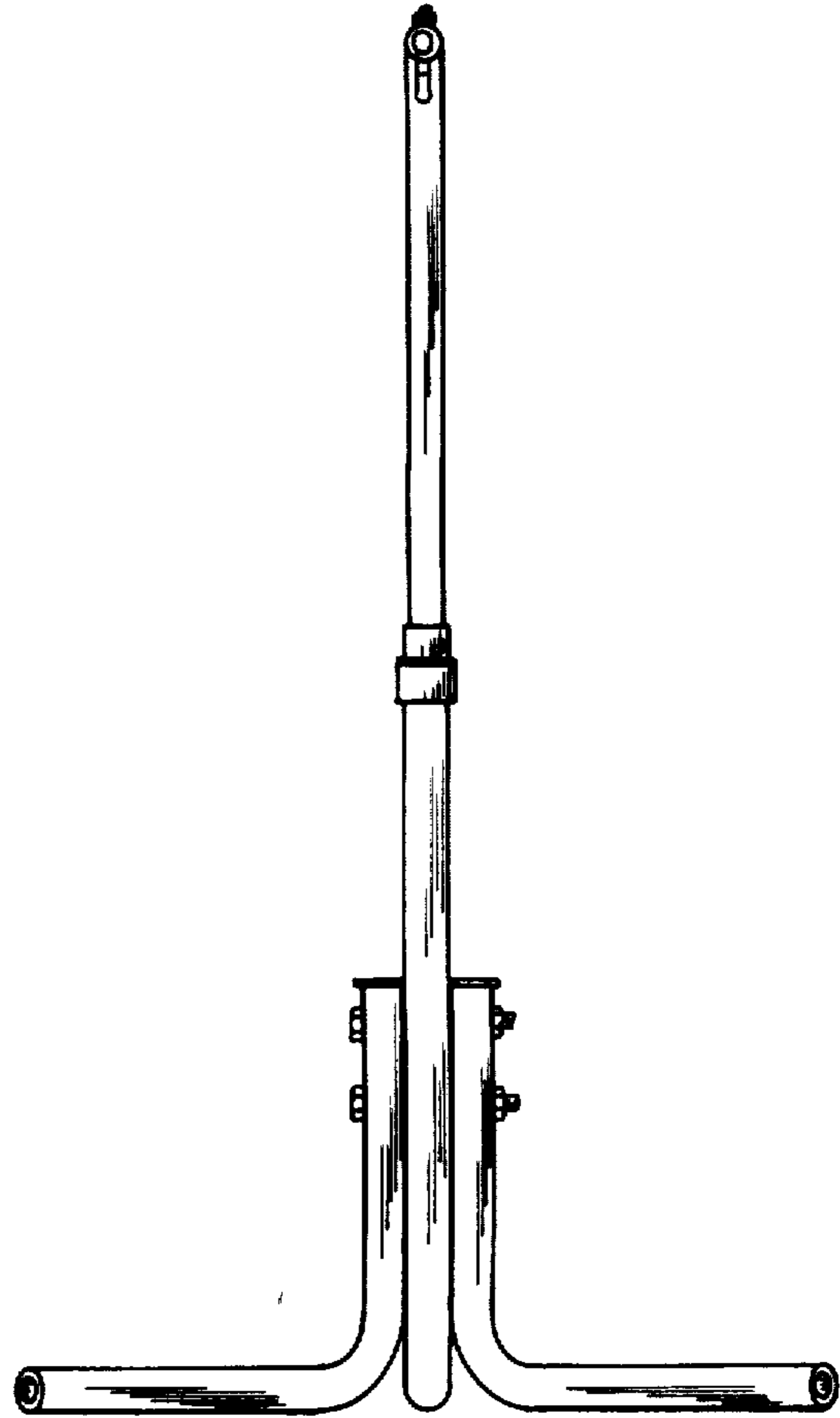


Fig.5