

[54] ANIMAL NAIL CLIPPER

[75] Inventor: Bernard Suchowski, Marboro, N.J.

[73] Assignee: The Hartz Mountain Corporation, Harrison, N.J.

[**] Term: 7 Years

[21] Appl. No.: 47,770

[22] Filed: Jun. 12, 1979

[51] Int. Cl. D30-99

[52] U.S. Cl. D30/40

[58] Field of Search D8/49; D28/60; D30/40, D30/99; 30/26-29, 233; 132/75.4, 75.5, 76.4

[56] References Cited

U.S. PATENT DOCUMENTS

D. 91,185	10/1933	Cavanash	D8/49
4,228,585	10/1980	Nelson	30/29

OTHER PUBLICATIONS

Damar's Christmas-Winter Catalogue 1959-1960, p. 12, Pet Manicure Set N/7786 in upper left center.

Primary Examiner—Leland A. Sebastian
Attorney, Agent, or Firm—Davis, Hoxie, Faithfull & Hapgood

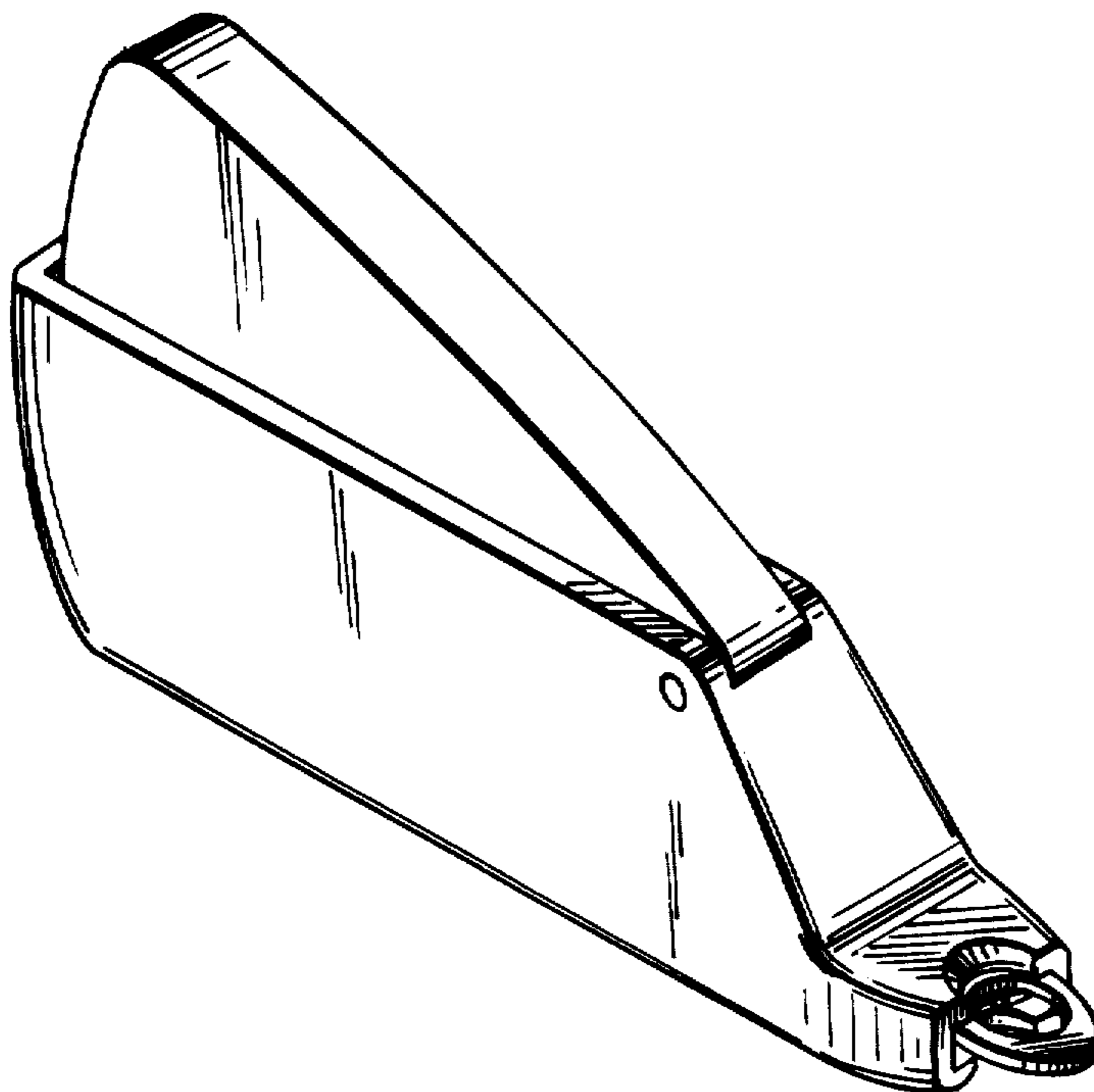
CLAIM

[57]

The ornamental design for an animal nail clipper, as shown.

DESCRIPTION

FIG. 1 is a perspective view of an animal nail clipper, showing my new design;
FIG. 2 is a top plan view thereof;
FIG. 3 is a front elevational view thereof;
FIG. 4 is a side elevational view thereof (opposite side of FIG. 1);
FIG. 5 is a rear elevational view thereof;
FIG. 6 is a bottom plan view thereof.



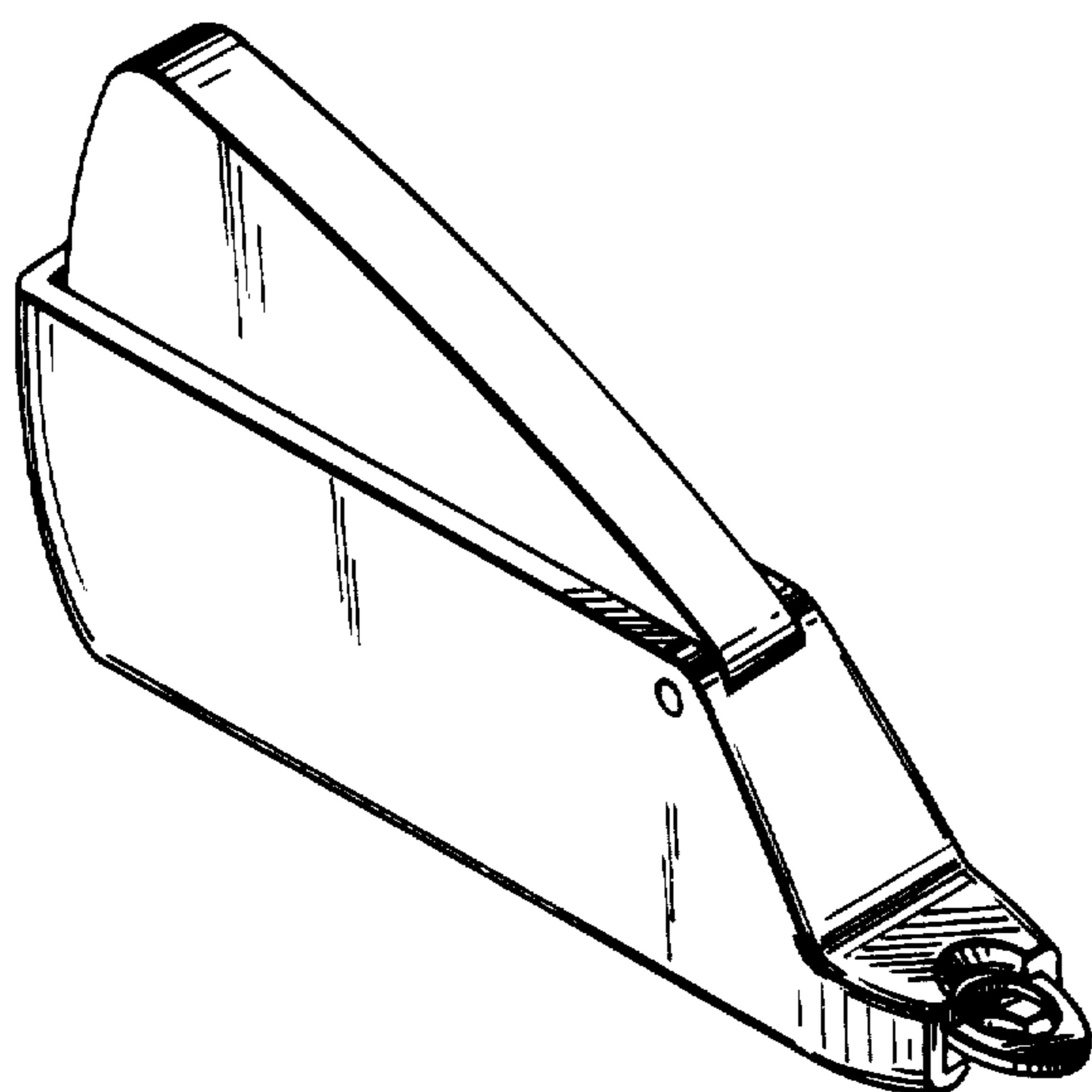


FIG. 1

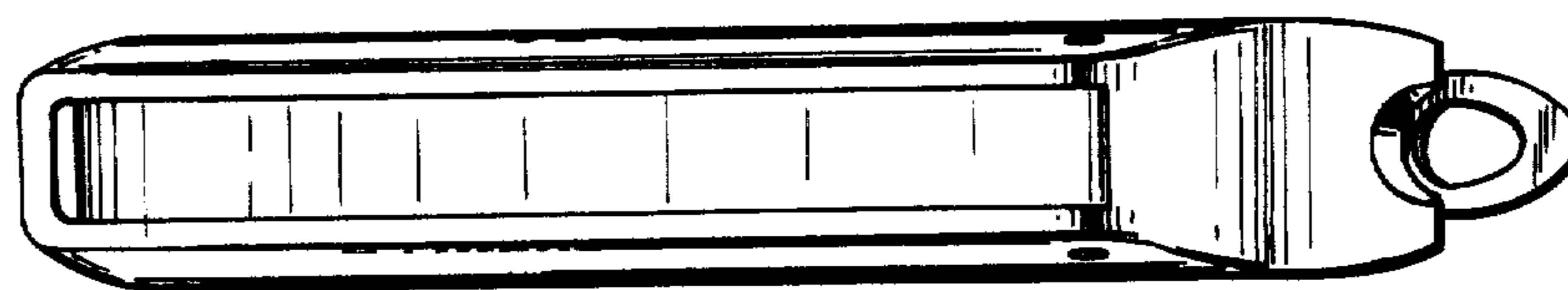


FIG. 2

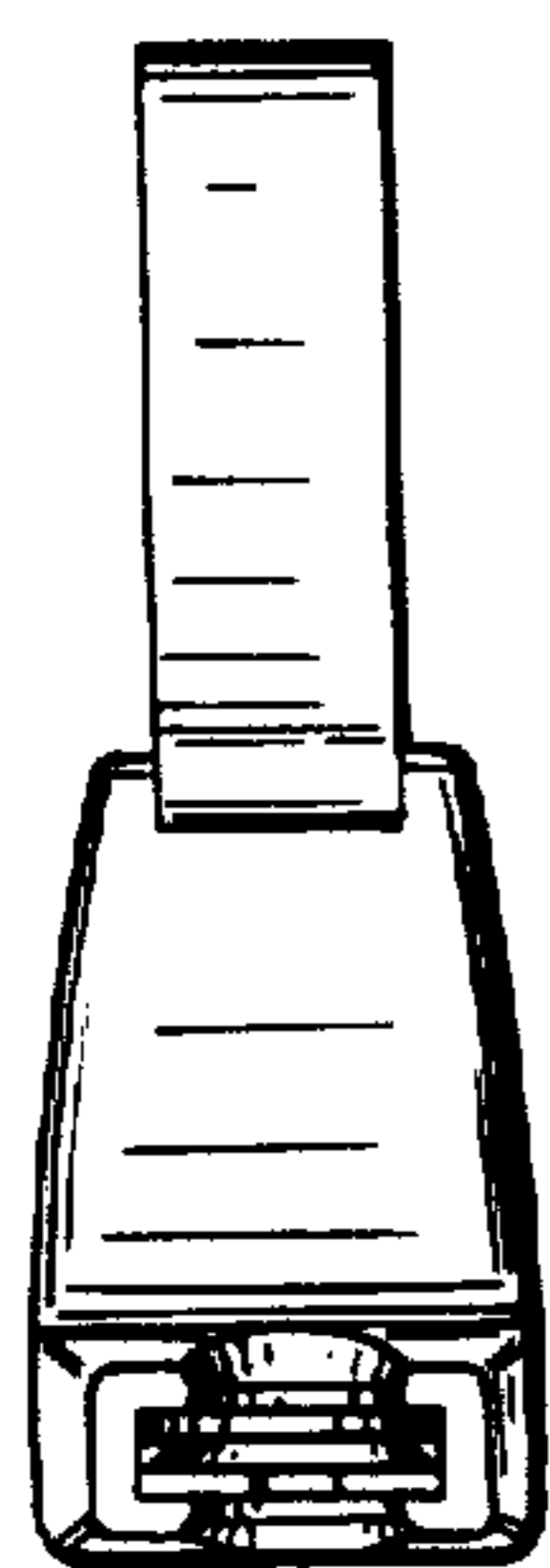


FIG. 3

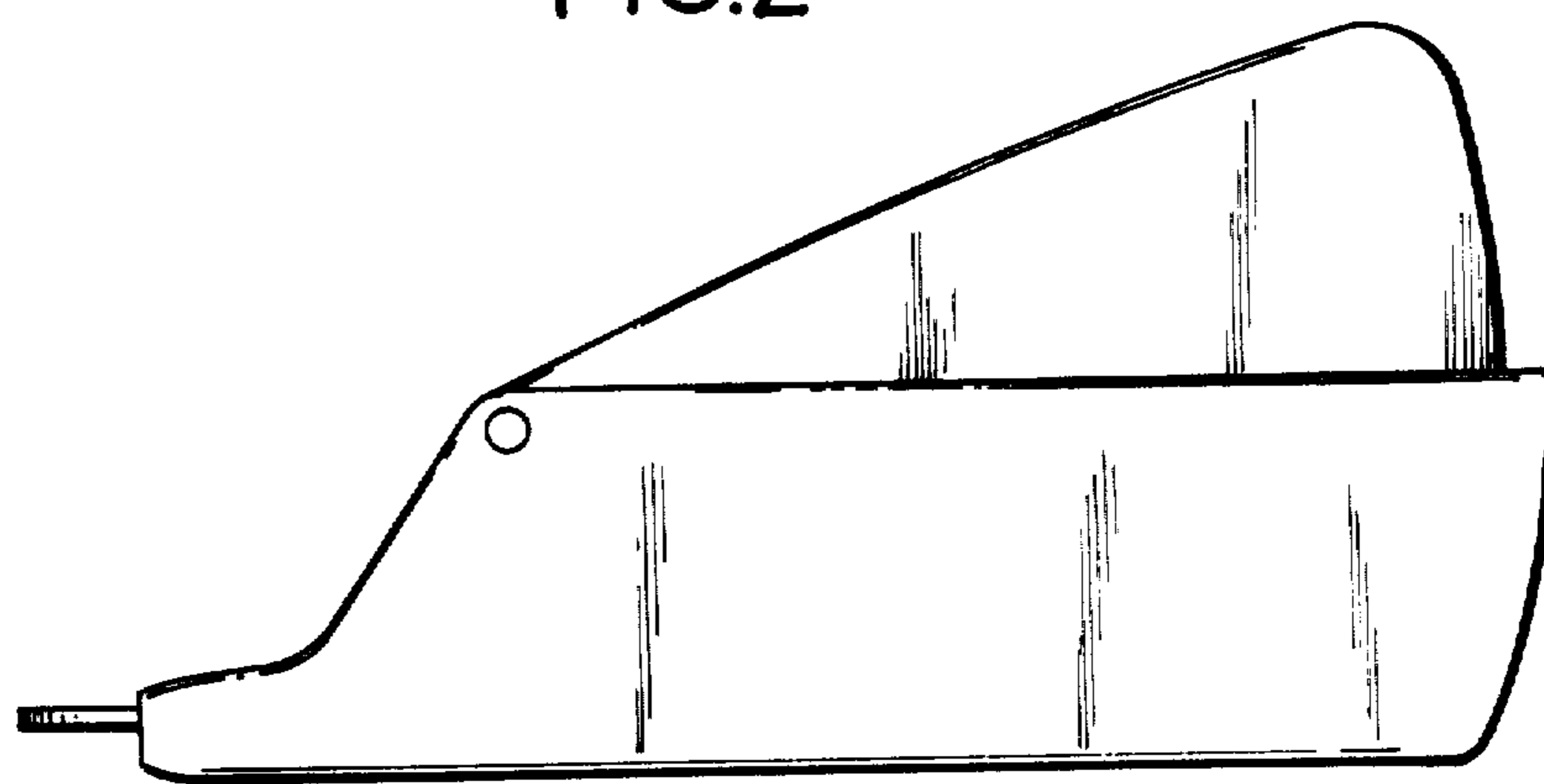


FIG. 4

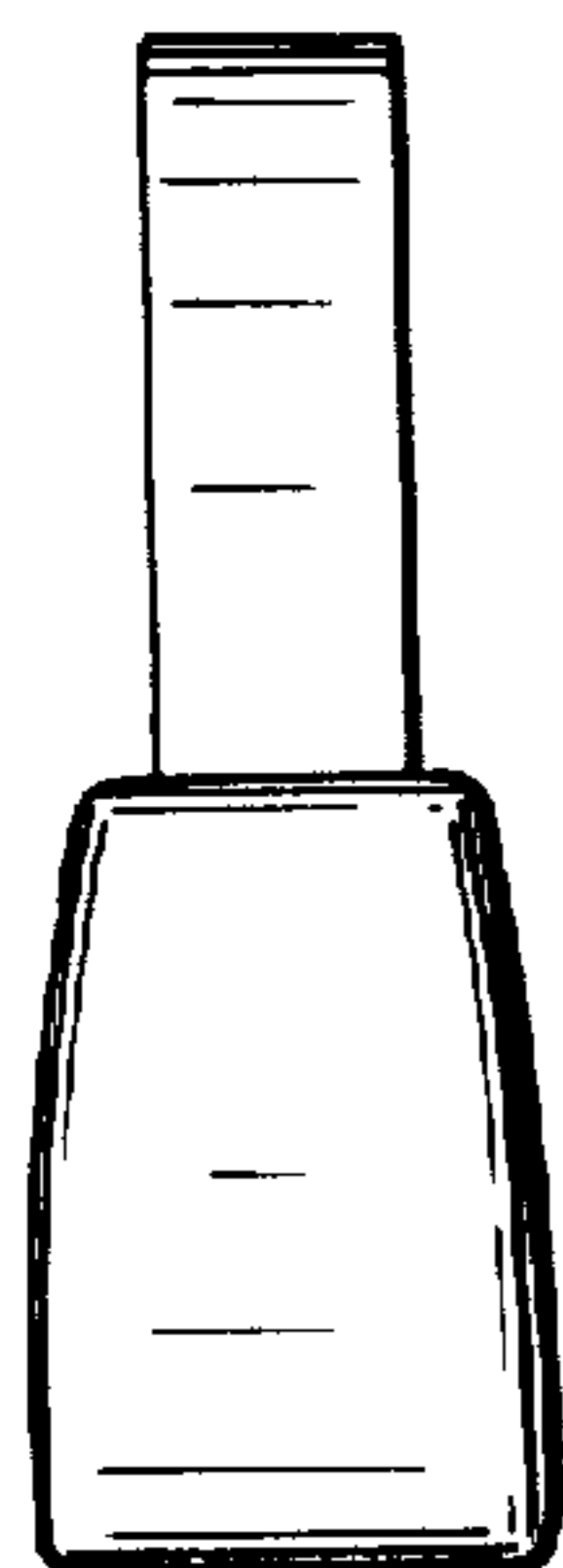


FIG. 5

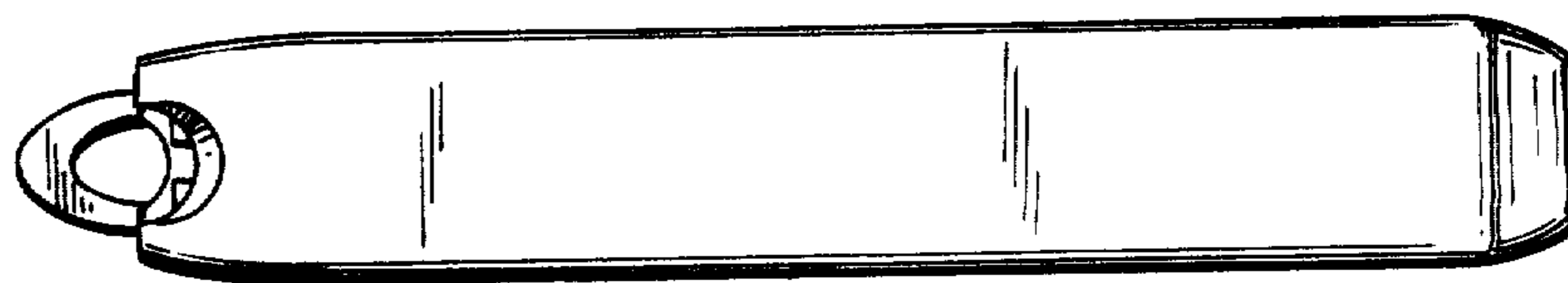


FIG. 6