

[54] **STIRRUP STRAP BUCKLE**
 [75] Inventors: **Thomas A. Horst, Lafayette; Charles L. Welton, Golden, both of Colo.**
 [73] Assignee: **Thomas A. Horst, Lafayette, Colo. ; a part interest**
 [**] Term: **14 Years**
 [21] Appl. No.: **197**
 [22] Filed: **Jan. 2, 1979**
 [51] Int. Cl. **D30-04**
 [52] U.S. Cl. **D30/25**
 [58] Field of Search **D30/19-31; 54/44, 46; 24/164, 166, 180, 181**

3,175,266 3/1965 McMullen 24/181
 3,205,637 9/1965 Welton 54/46
 3,314,121 4/1967 Blevins et al. 24/181
 4,141,198 2/1979 Gaertner 54/46
 4,179,869 12/1979 Horst et al. 54/46

Primary Examiner—James R. Largen
Attorney, Agent, or Firm—Edwin L. Spangler, Jr.

[57] **CLAIM**

The ornamental design for a stirrup strap buckle, as shown and described.

DESCRIPTION

FIG. 1 is a perspective view of the stirrup strap buckle showing my new design;
 FIG. 2 is a perspective view thereof showing the sliding cover in an open position;
 FIG. 3 is a top plan view thereof;
 FIG. 4 is a front elevational view of FIG. 1;
 FIG. 5 is a right side elevational view of FIG. 1;
 FIG. 6 is a front elevational view of FIG. 2;
 FIG. 7 is a right side elevational view of FIG. 2;
 FIG. 8 is a rear elevational view of FIG. 2; and
 FIG. 9 is a rear elevational view of FIG. 1.

[56] **References Cited**
U.S. PATENT DOCUMENTS
 D. 16,123 6/1885 Johnson D30/25
 D. 26,863 4/1897 Brown D30/25
 D. 32,776 6/1900 Schleicher D30/25
 1,133,904 12/1872 Walker 24/164
 2,718,682 9/1955 Nichols 54/47 X
 3,096,552 7/1963 Kreger, Jr. 24/166

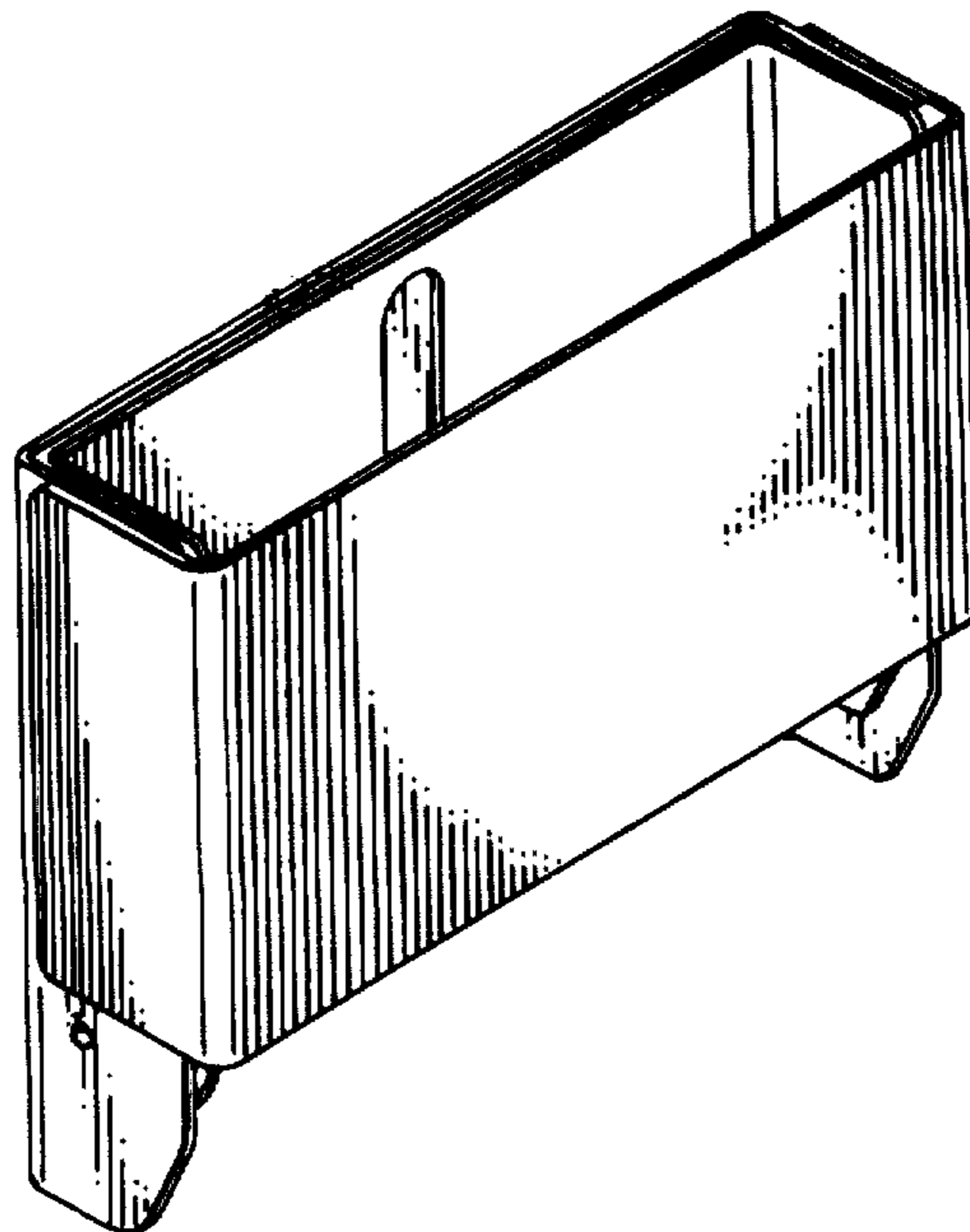


Fig-1

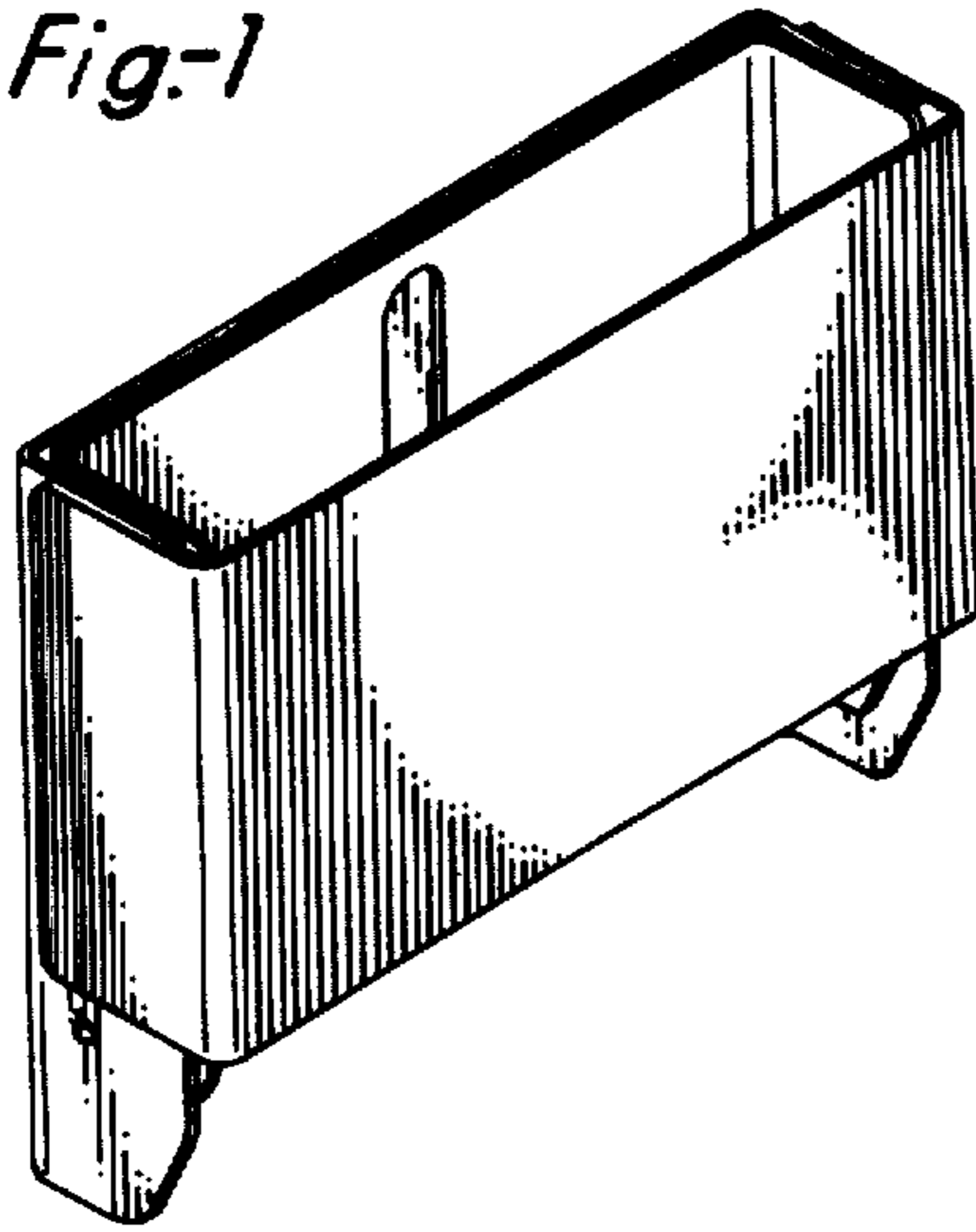


Fig-2

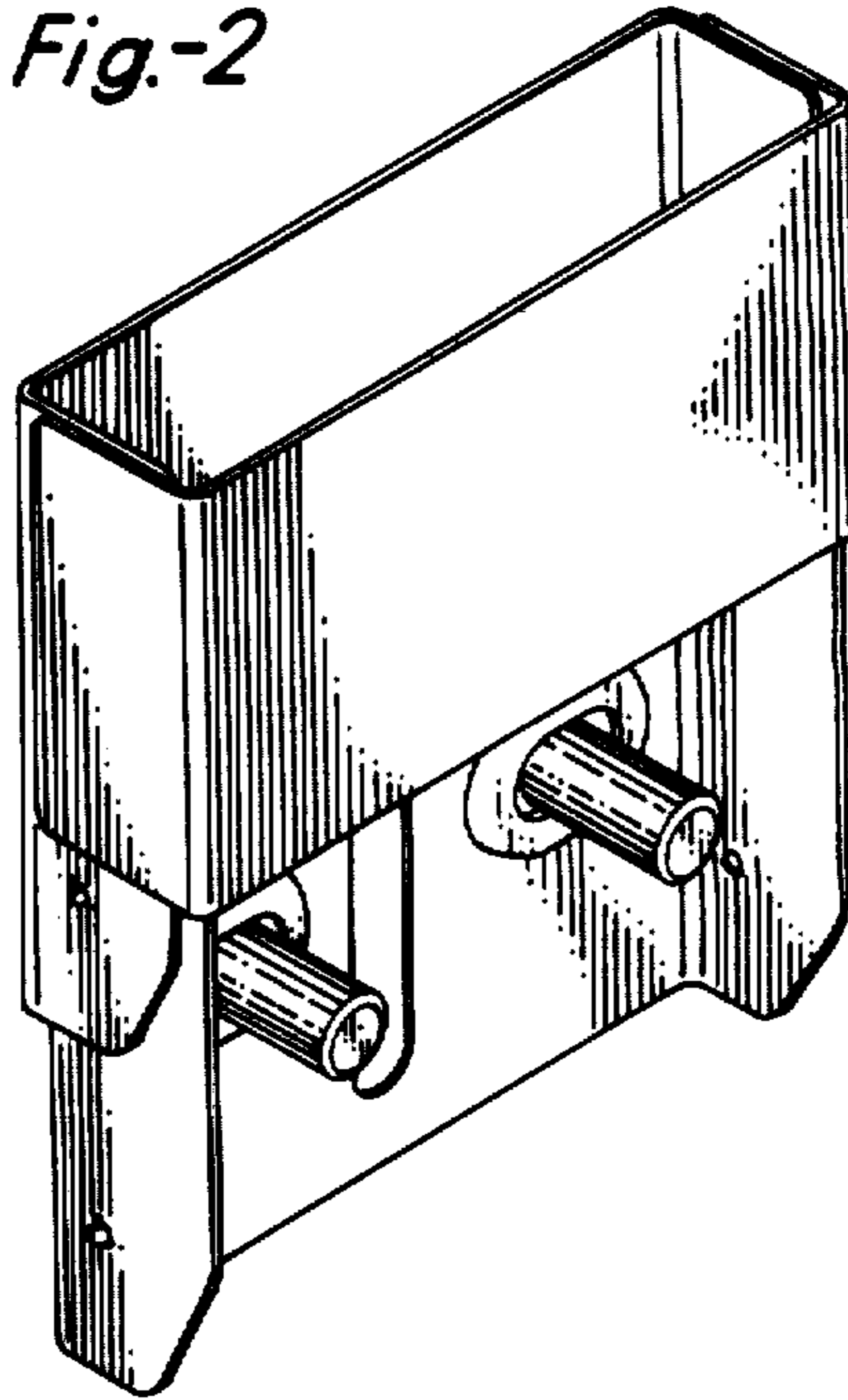


Fig-3

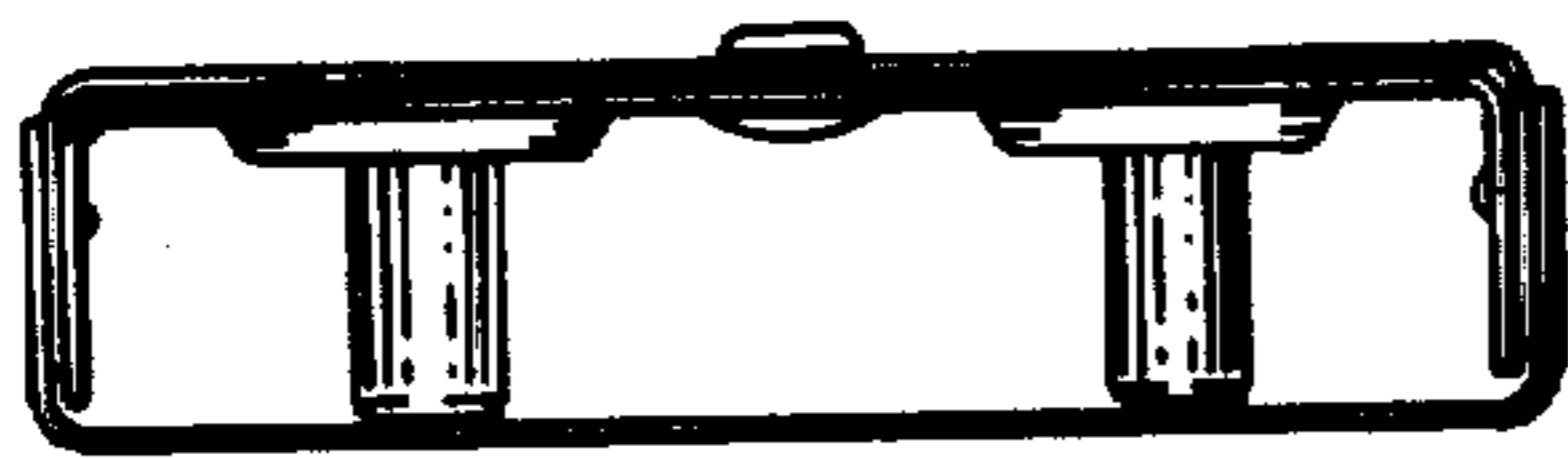


Fig-4

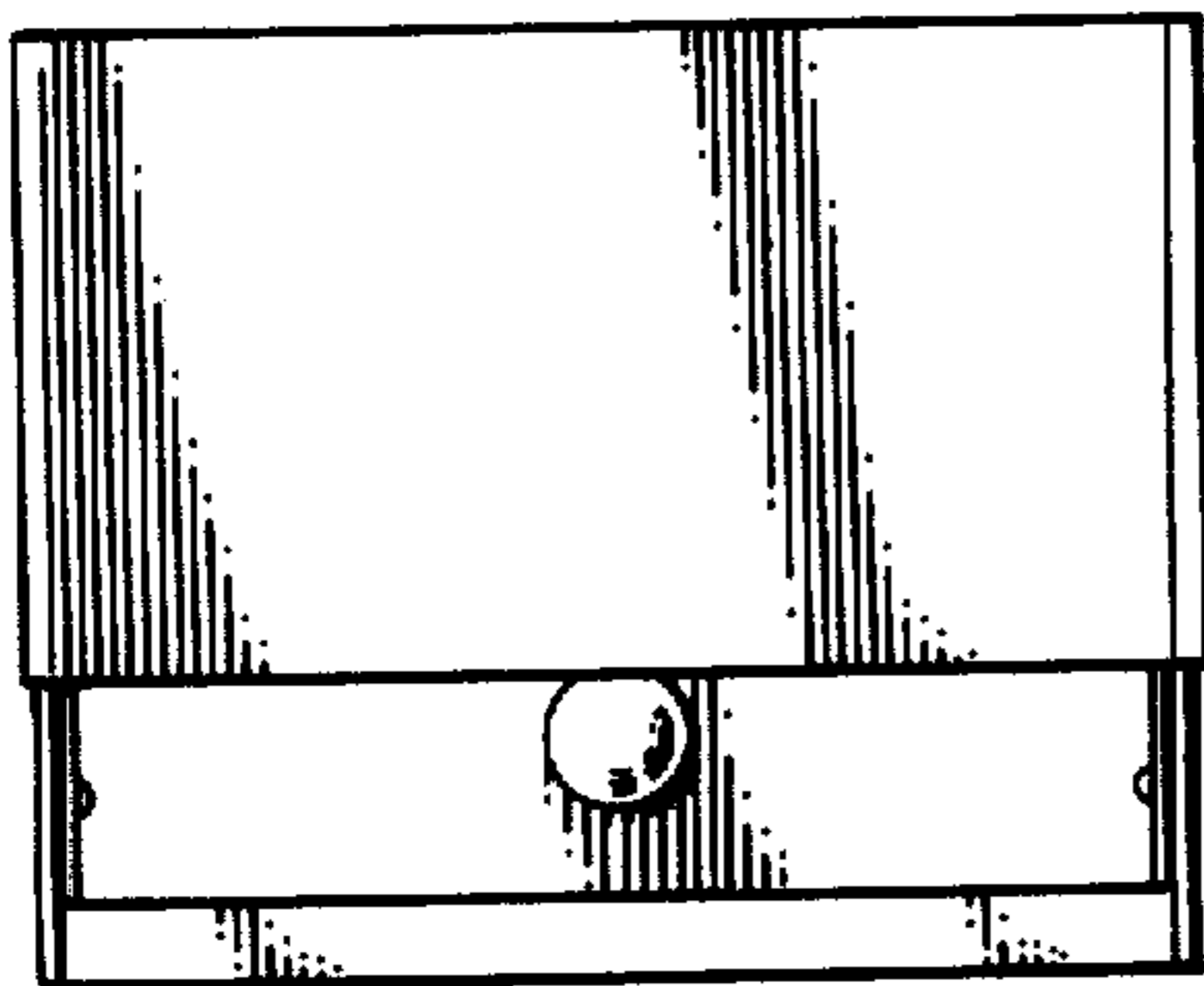


Fig-5

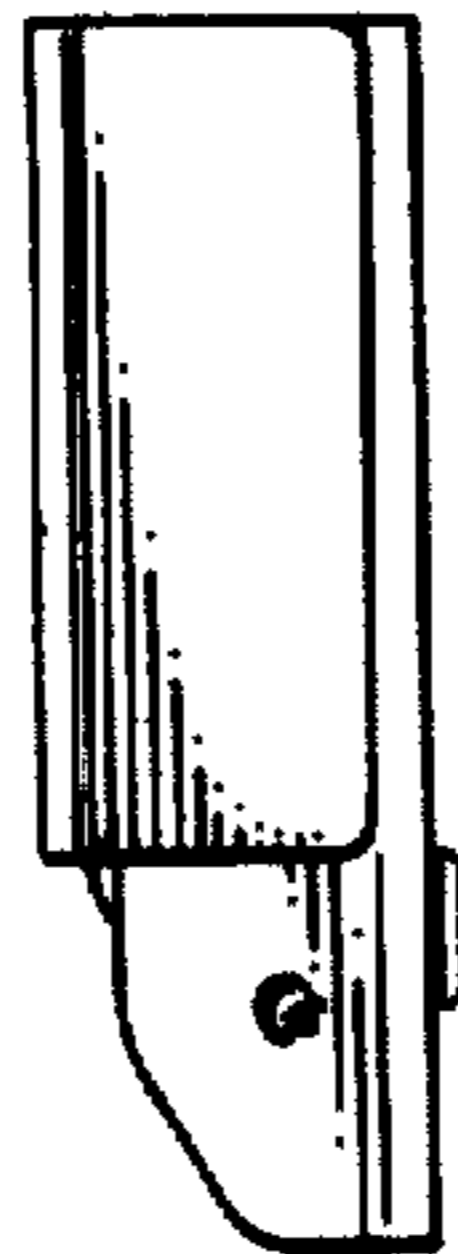


Fig-6

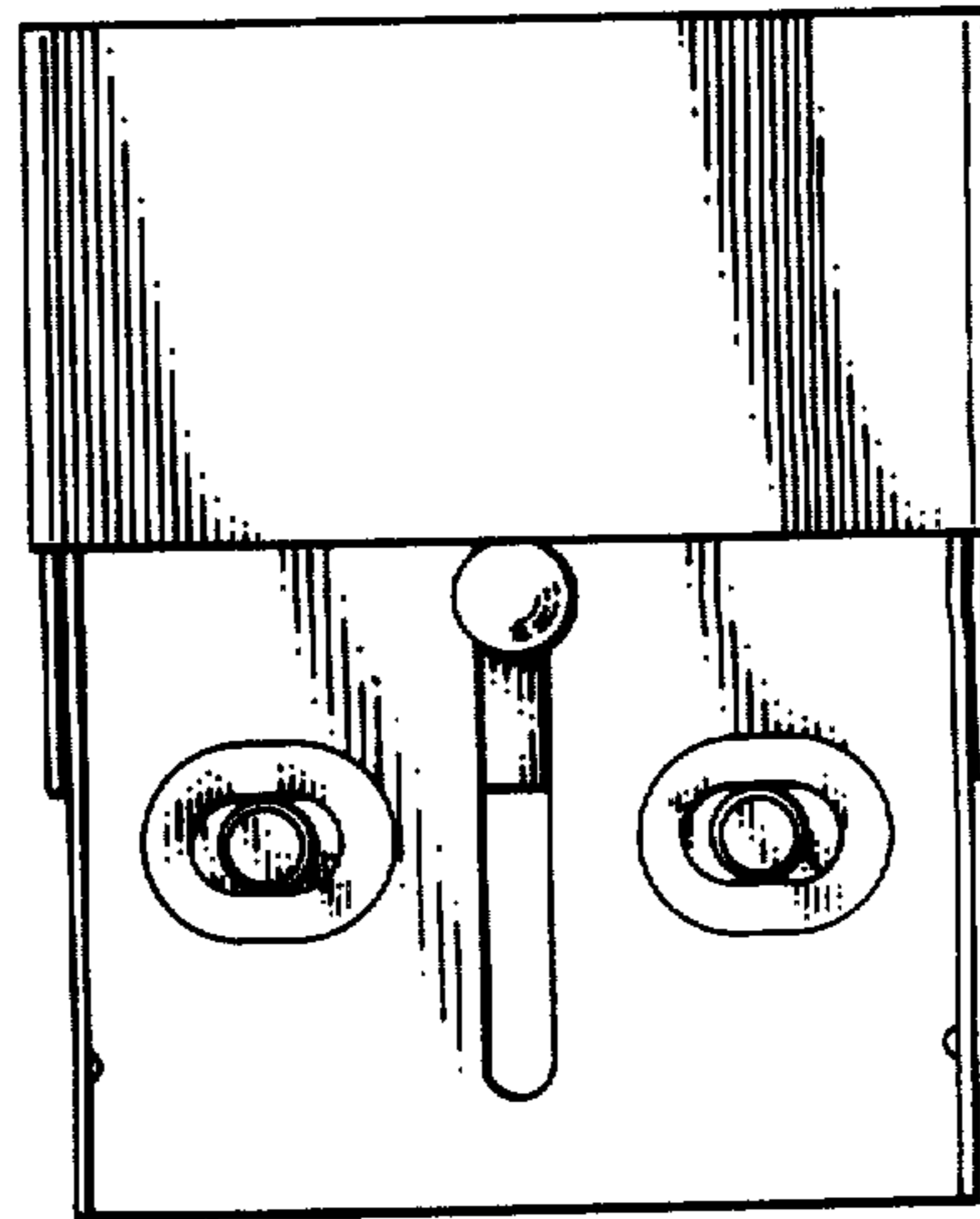


Fig-7

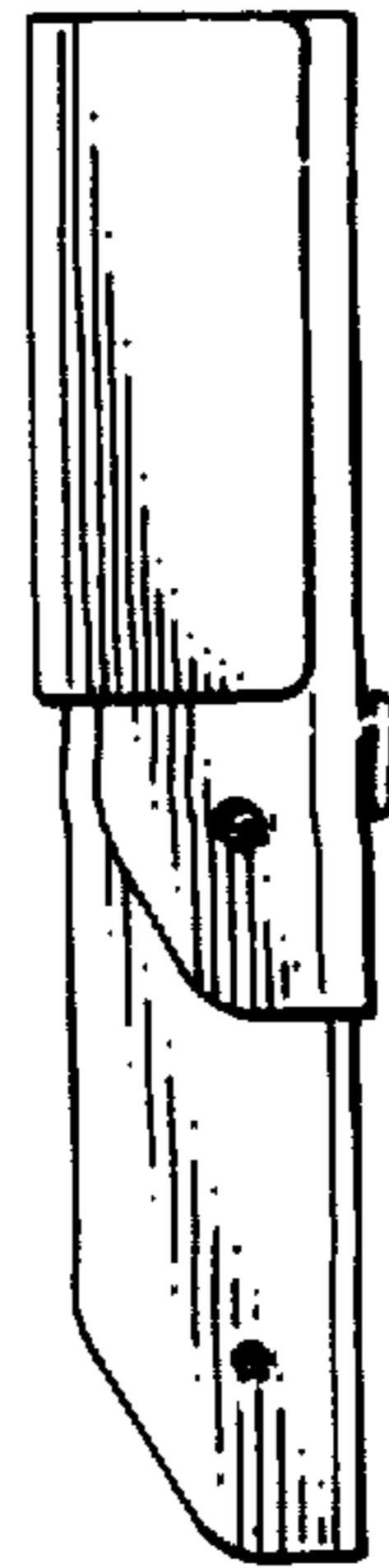


Fig-8

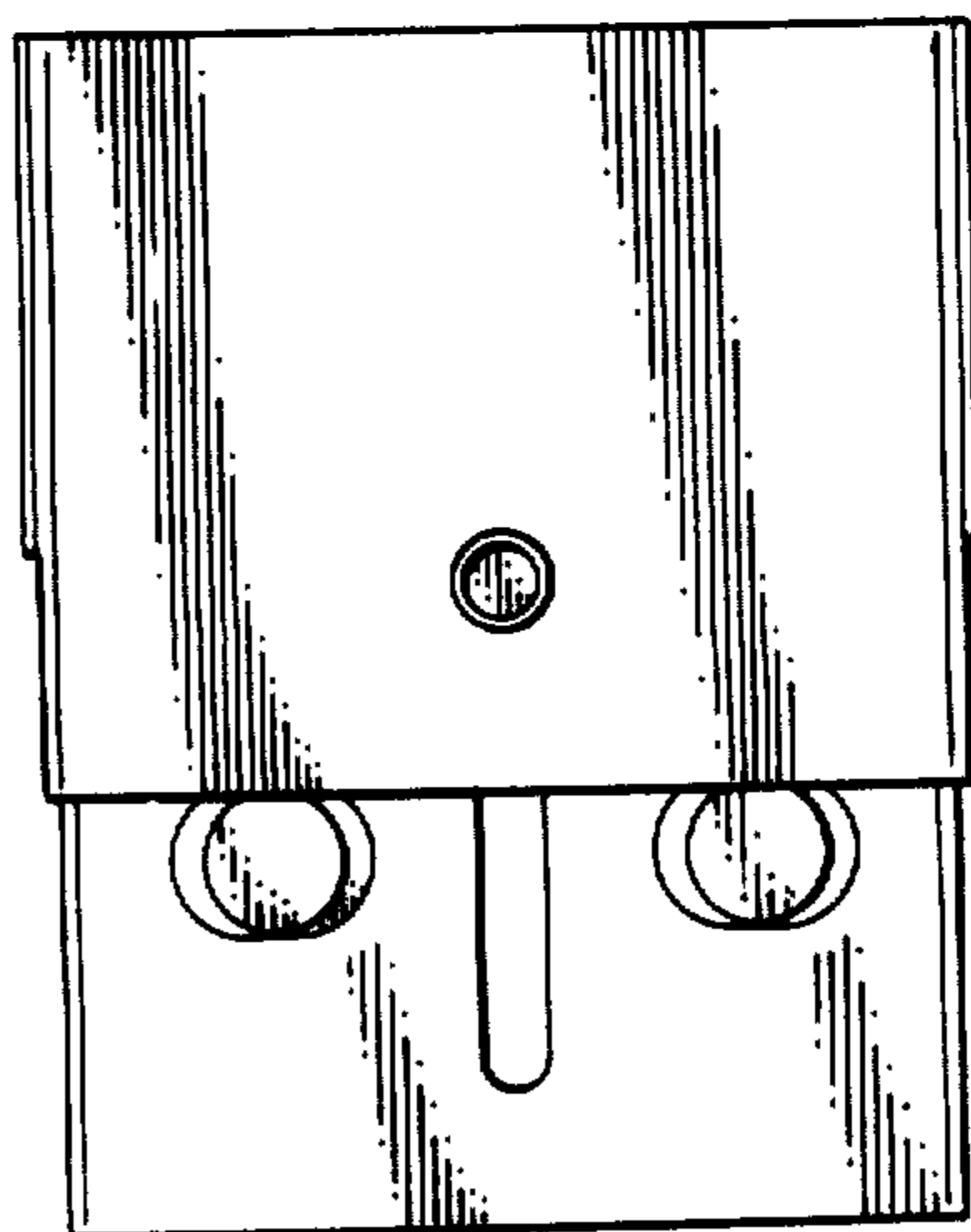


Fig-9

