

[54] **BAR OF SOAP**

[76] Inventor: **Russell A. O'Connor, 462 Penhale Ave., Campbell, Ohio 44405**

[**] Term: **14 Years**

[21] Appl. No.: **1,464**

[22] Filed: **Jan. 8, 1979**

[51] Int. Cl. **D28-02**

[52] U.S. Cl. **D28/8.1**

[58] Field of Search **D28/8.1, 8.2; 252/DIG. 16, 90, 92, 134, 174; 248/359**

[56] **References Cited**

U.S. PATENT DOCUMENTS

246,989 9/1881 Wilkerson 248/359

999,210 8/1911 Dilg et al. 252/134
3,925,225 12/1975 Morrison 252/134 X

FOREIGN PATENT DOCUMENTS

277943 12/1951 Switzerland 252/92

Primary Examiner—Louis S. Zarfes
Attorney, Agent, or Firm—Webster B. Harpman

[57] **CLAIM**

The ornamental design for a bar of soap, as shown.

DESCRIPTION

FIG. 1 is a perspective view of a bar of soap showing my new design;
FIG. 2 is a bottom perspective view thereof;
FIG. 3 is an end elevational view thereof; and
FIG. 4 is a side elevational view thereof.

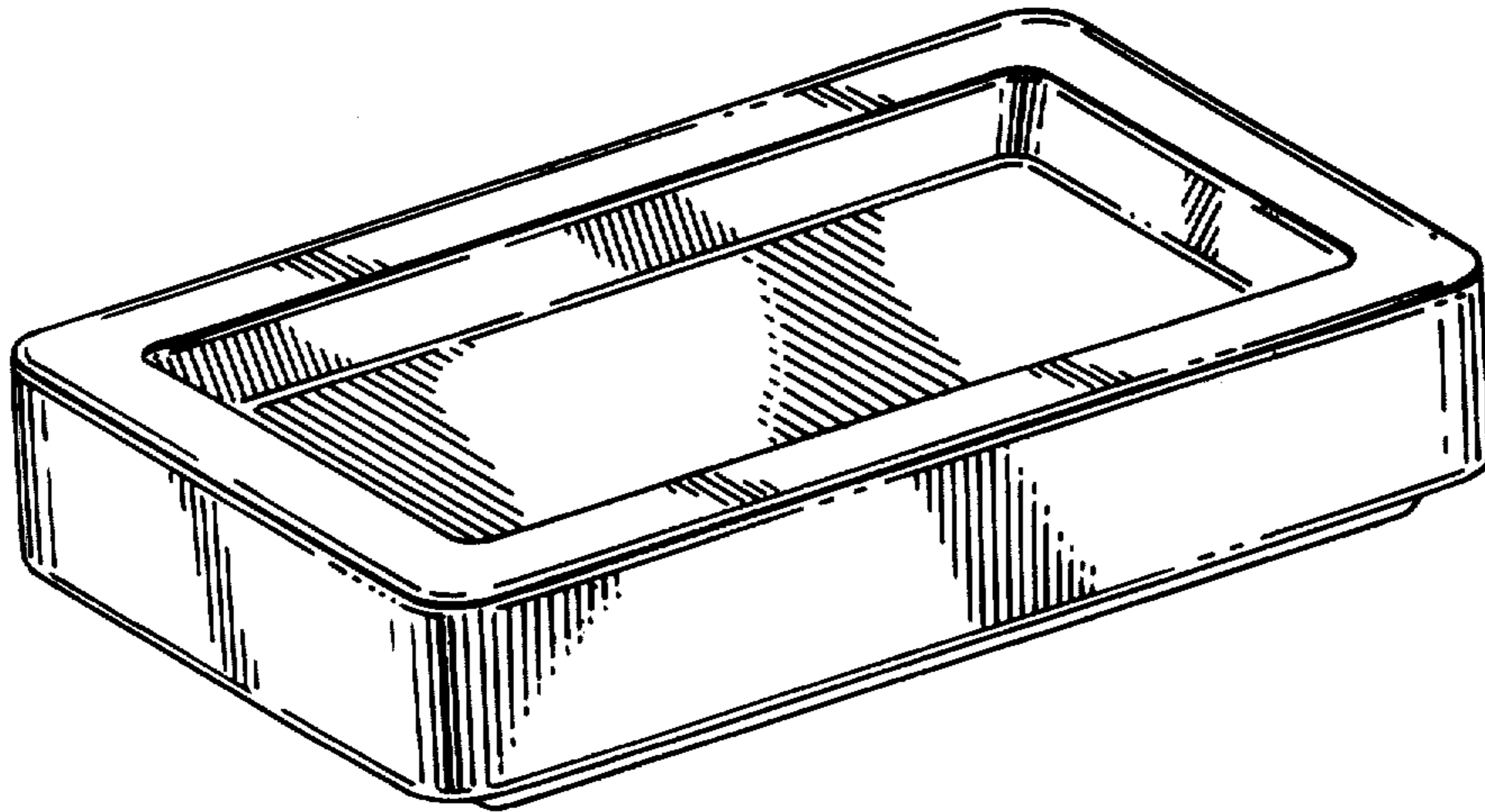


FIG. 1

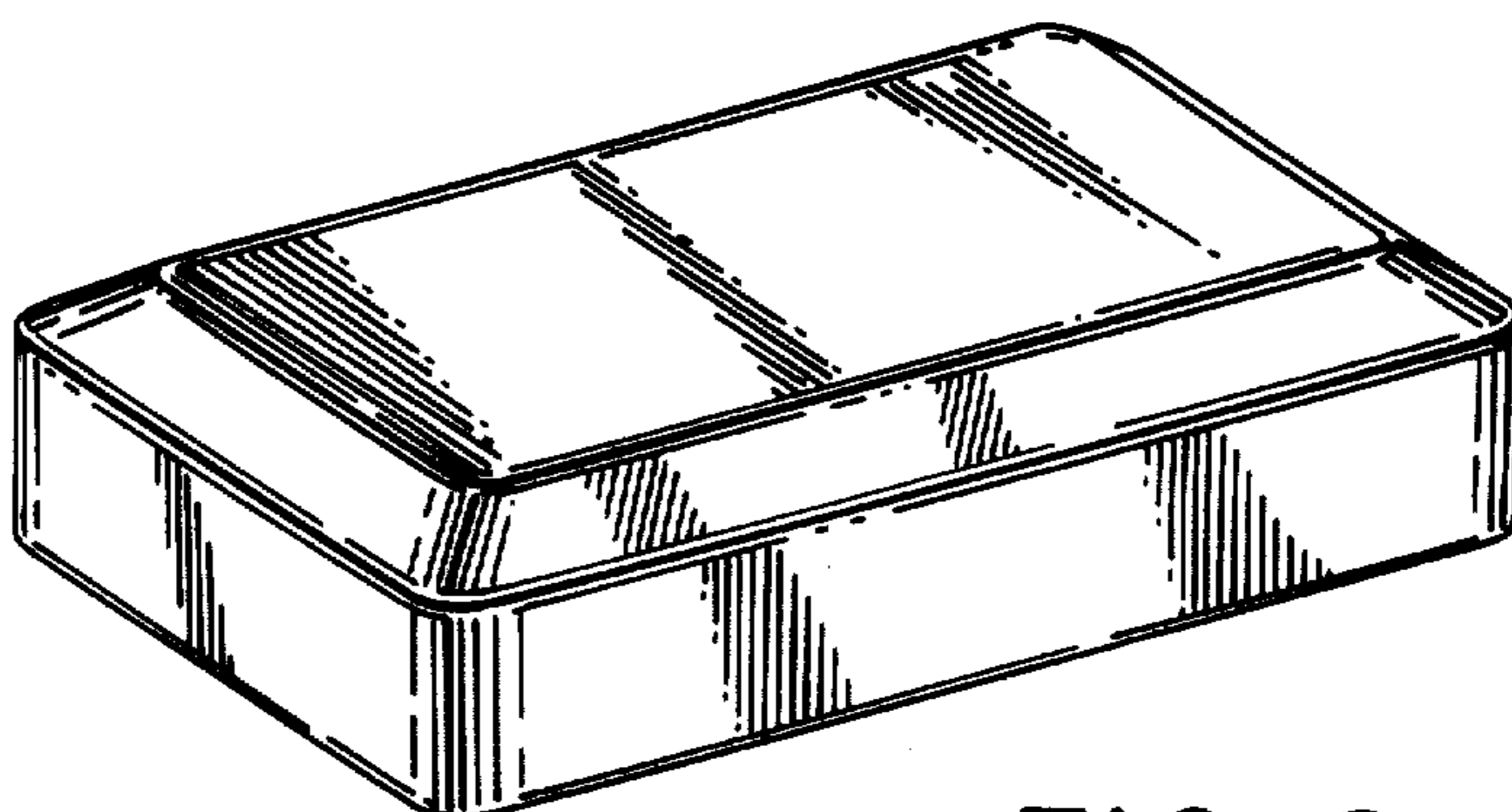
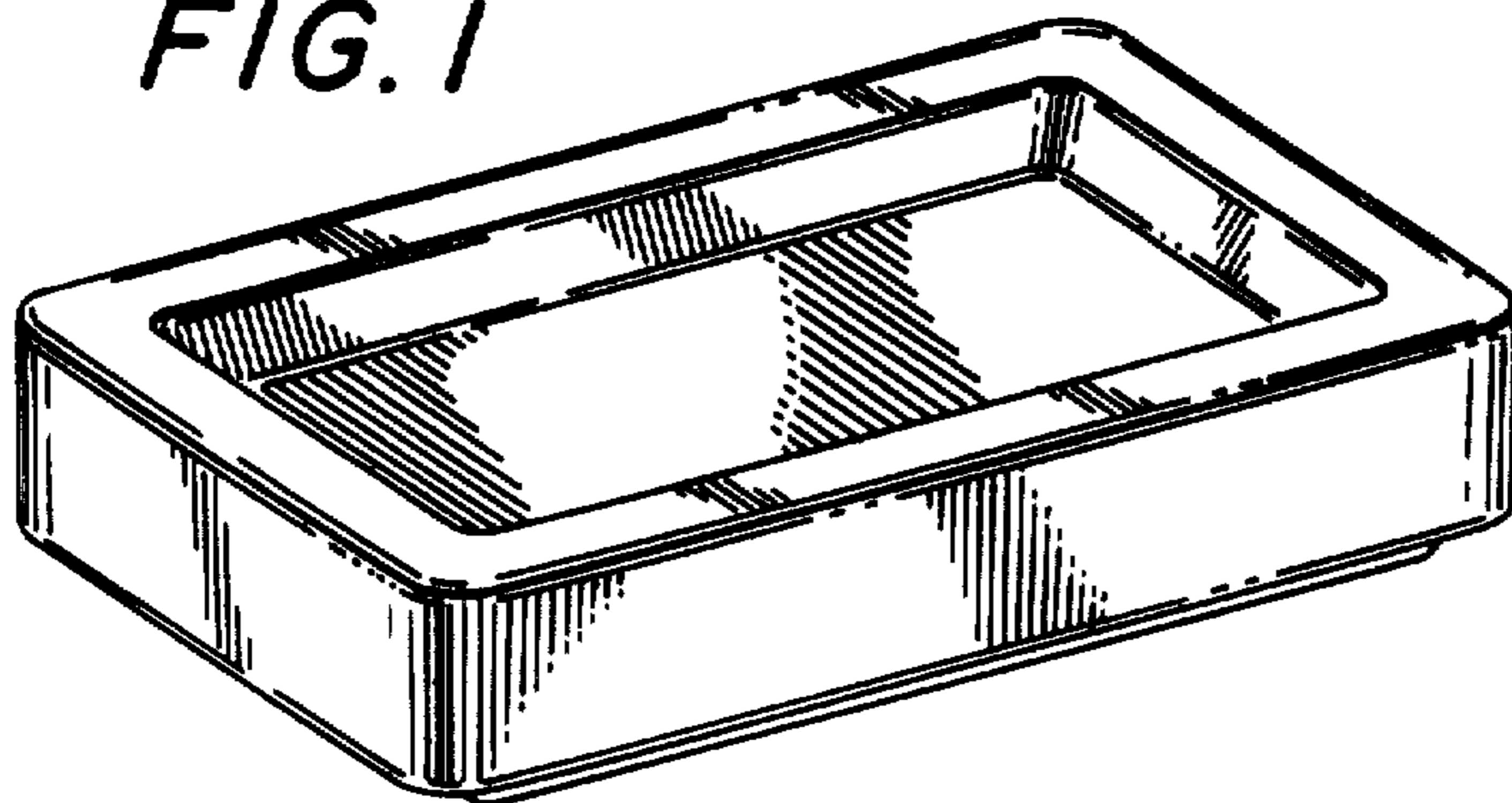


FIG. 2



FIG. 4

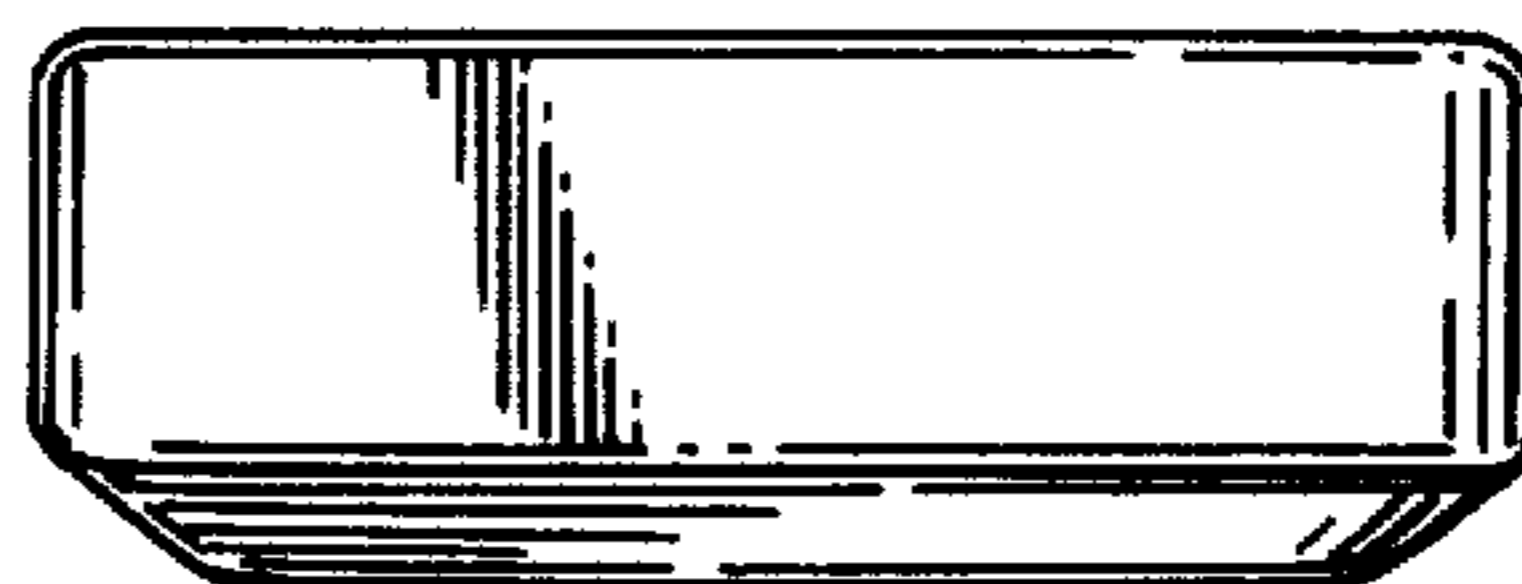


FIG. 3