

[54] DECORATIVE COMPOSITE GLASS PANEL FOR INSTALLATION IN A DOOR OR WINDOW

[75] Inventor: B. Jeremiah Shaffer, Worthington, Ohio

[73] Assignee: Pease Company, Fairfield, Ohio

[\*\*] Term: 14 Years

[21] Appl. No.: 88,202

[22] Filed: Oct. 24, 1979

[51] Int. Cl. .... D25-01

[52] U.S. Cl. .... D25/72

[58] Field of Search ..... 428/38; 52/306; D25/52, D25/72

[56] References Cited

U.S. PATENT DOCUMENTS

D. 29,808	12/1898	Cummings	.....	D25/72 X
D. 110,453	7/1938	Baum	.....	D25/52 X
1,524,998	2/1925	Russell	.....	428/38 X
3,420,730	1/1969	Ellefson	.....	428/38

3,713,958 1/1973 McCracken ..... 428/38

Primary Examiner—A. Hugo Word  
Attorney, Agent, or Firm—Biebel, French & Nauman

[57] CLAIM

The ornamental design for a decorative composite glass panel for installation in a door or window, substantially as shown and described.

DESCRIPTION

FIG. 1 is a front elevational view of a composite glass panel embodying my design; and FIGS. 2, 3 and 4 are enlarged fragmentary sections taken along the lines 2—2, 3—3 and 4—4, respectively, of FIG. 1.

The dominant features of my design reside in the illustrated combination of particularly shaped pieces of transparent or translucent glass and opaque dark beading of T-shaped section between adjacent pieces of glass, some or all of which may be colored similarly to or differently from adjacent pieces, and at least some of which are edge beveled as shown, the beveled edges being present on only one surface of the panel.

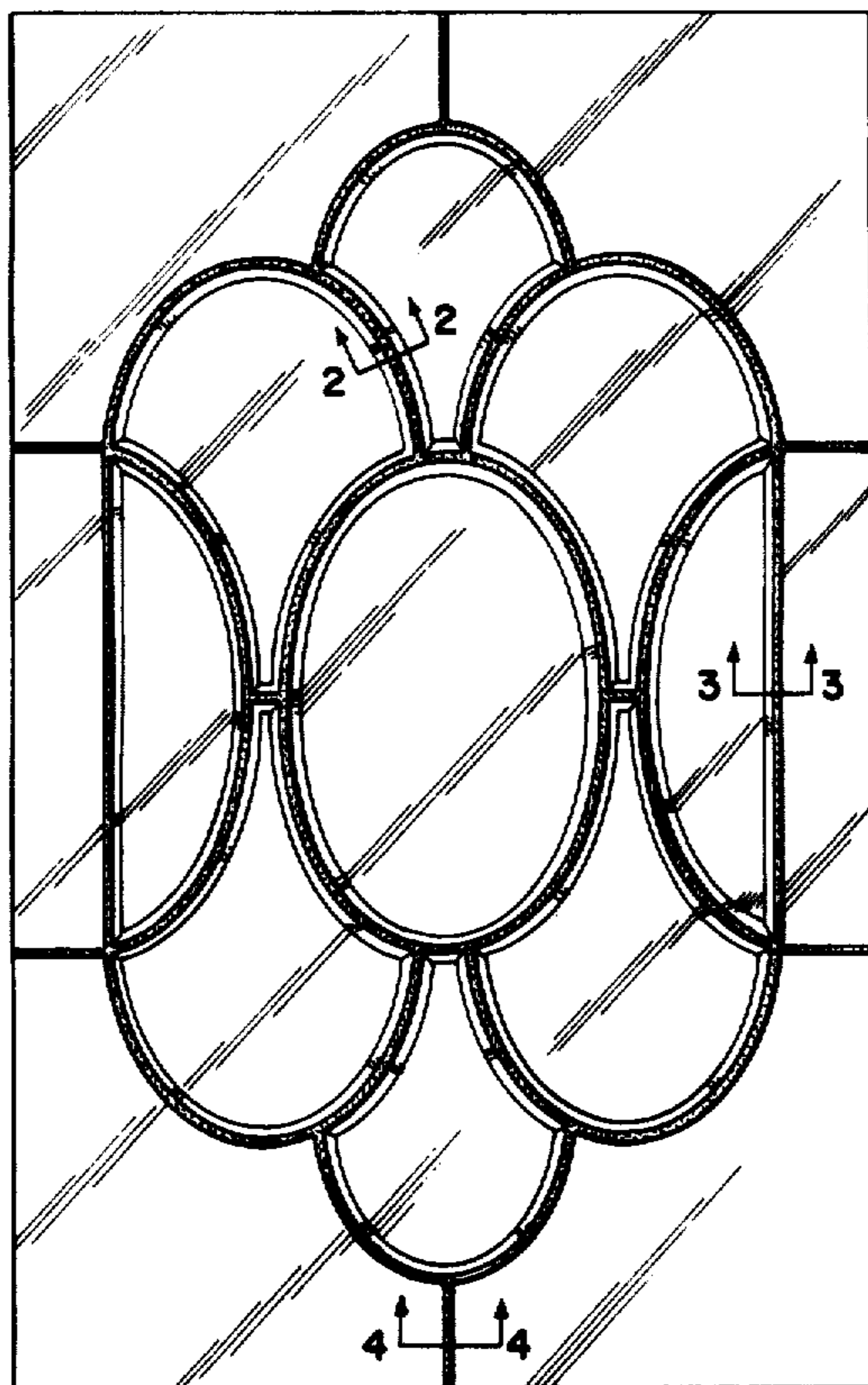


FIG-1

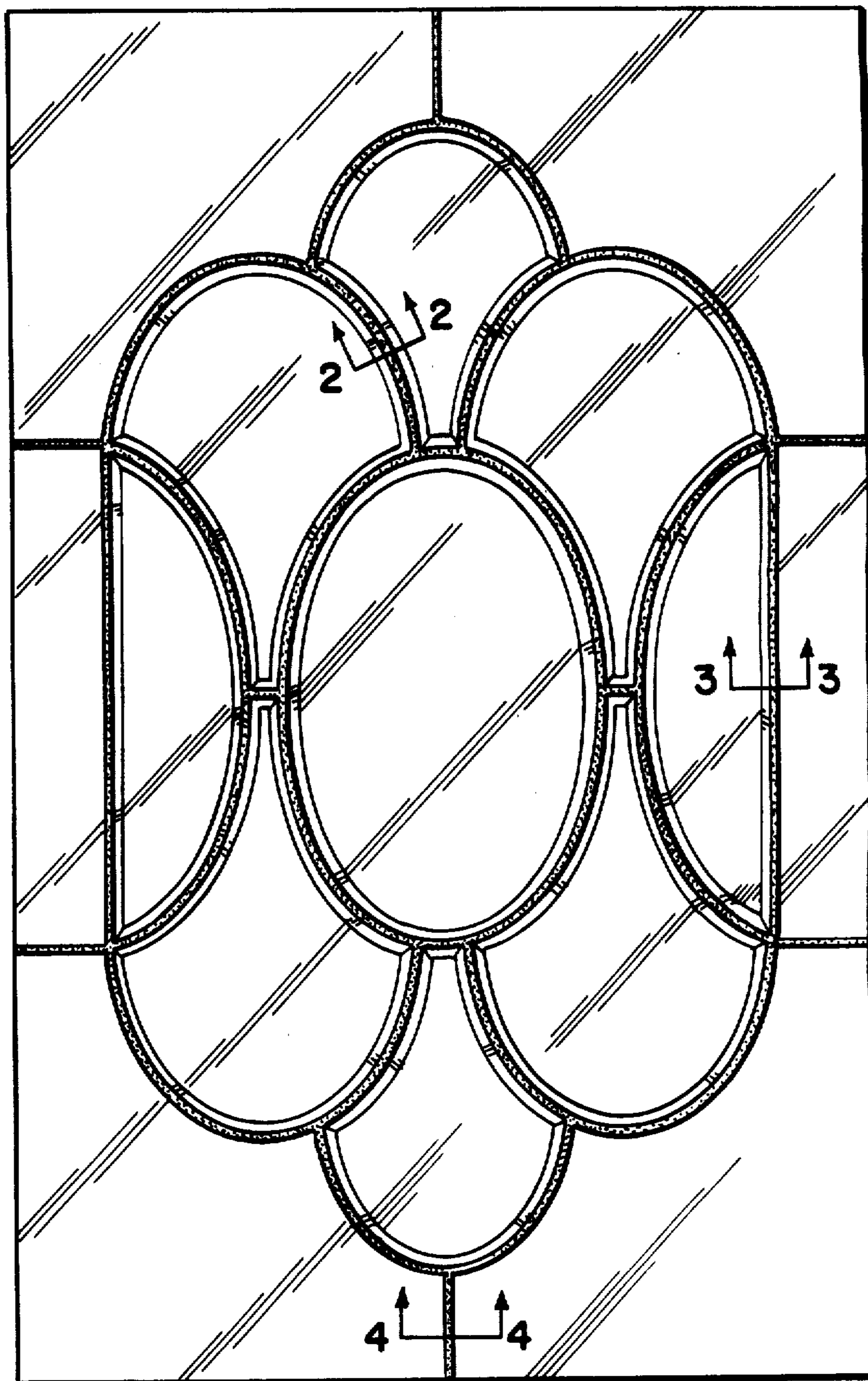


FIG-2



FIG-3



FIG-4

