

[54] DENTAL ARTICULATOR	3,452,439	7/1969	Lee	433/55
	3,590,487	7/1971	Guichet	433/62
[76] Inventor: Robert L. Lee, 22937 Grand Ter., Colton, Calif. 92324	3,593,424	7/1971	Lee	433/55
	3,694,919	10/1972	Lee et al.	433/55
[**] Term: 14 Years	3,896,550	7/1975	Lee	433/57
	3,897,632	8/1975	Beu	433/57
[21] Appl. No.: 964,978	4,024,640	5/1977	Guichet	433/56
	4,034,474	7/1977	Lee	433/57
[22] Filed: Nov. 30, 1978	4,034,475	7/1977	Lee	433/69
[51] Int. Cl. .... D24-02	<i>Primary Examiner—Bernard Ansher</i>			
[52] U.S. Cl. .... D24/10	<i>Attorney, Agent, or Firm—Knobbe, Martens, Olson, Hubbard &amp; Bear</i>			
[58] Field of Search .... 433/60, 55, 57, 58, 433/56, 62, 69; D24/10	[57] CLAIM			

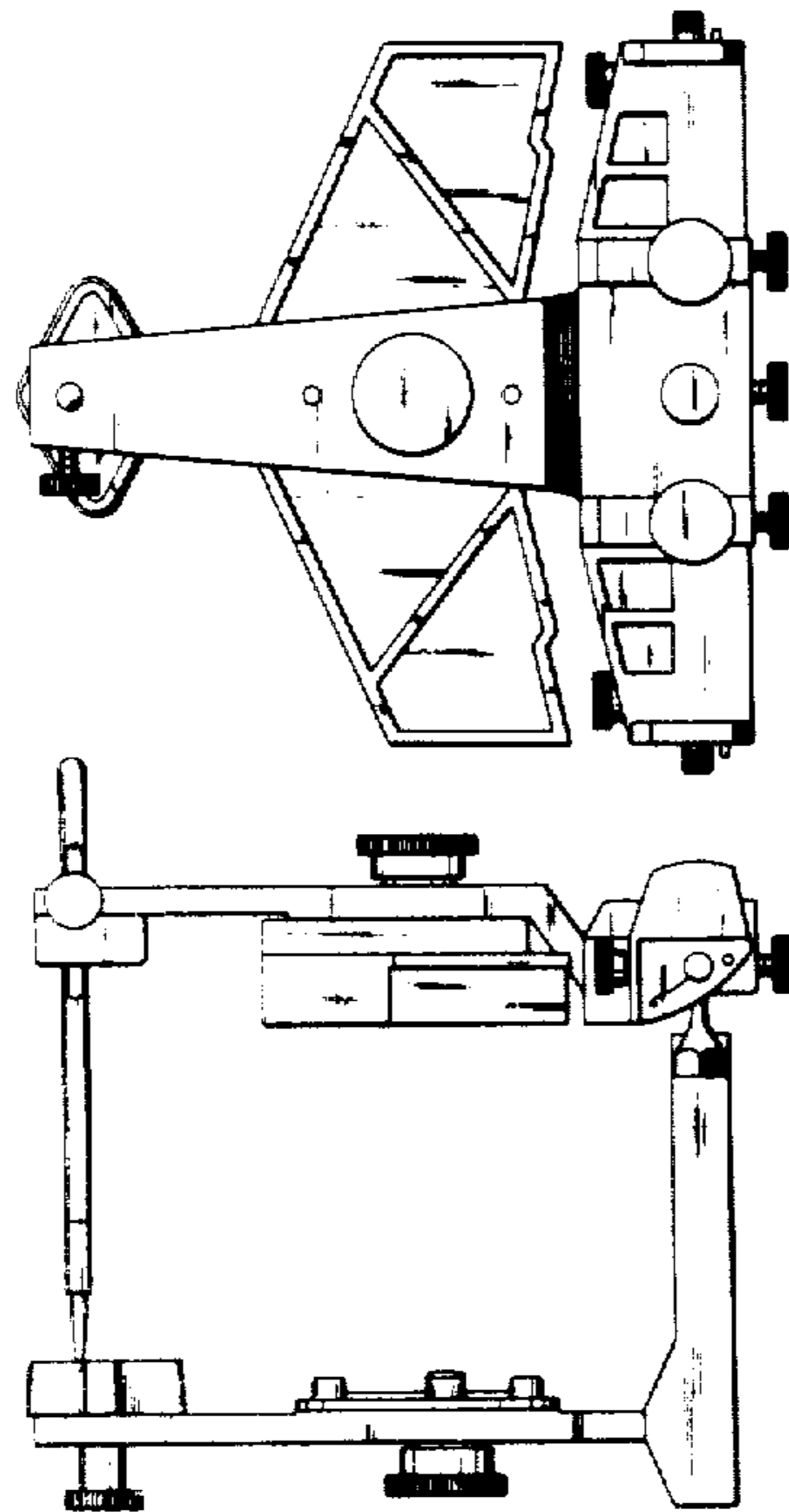
[56] References Cited

U.S. PATENT DOCUMENTS			
D. 198,024	4/1964	De Pietro	D24/10
D. 204,381	4/1966	Orofino	D24/10
1,703,105	2/1929	Hawksworth	433/56
1,733,507	10/1929	McCollum	433/56
1,815,956	7/1931	Ralph	433/58
2,235,524	3/1941	Lentz	433/58
2,816,360	12/1957	Stuart	433/55
3,019,530	2/1962	De Pietro	433/59

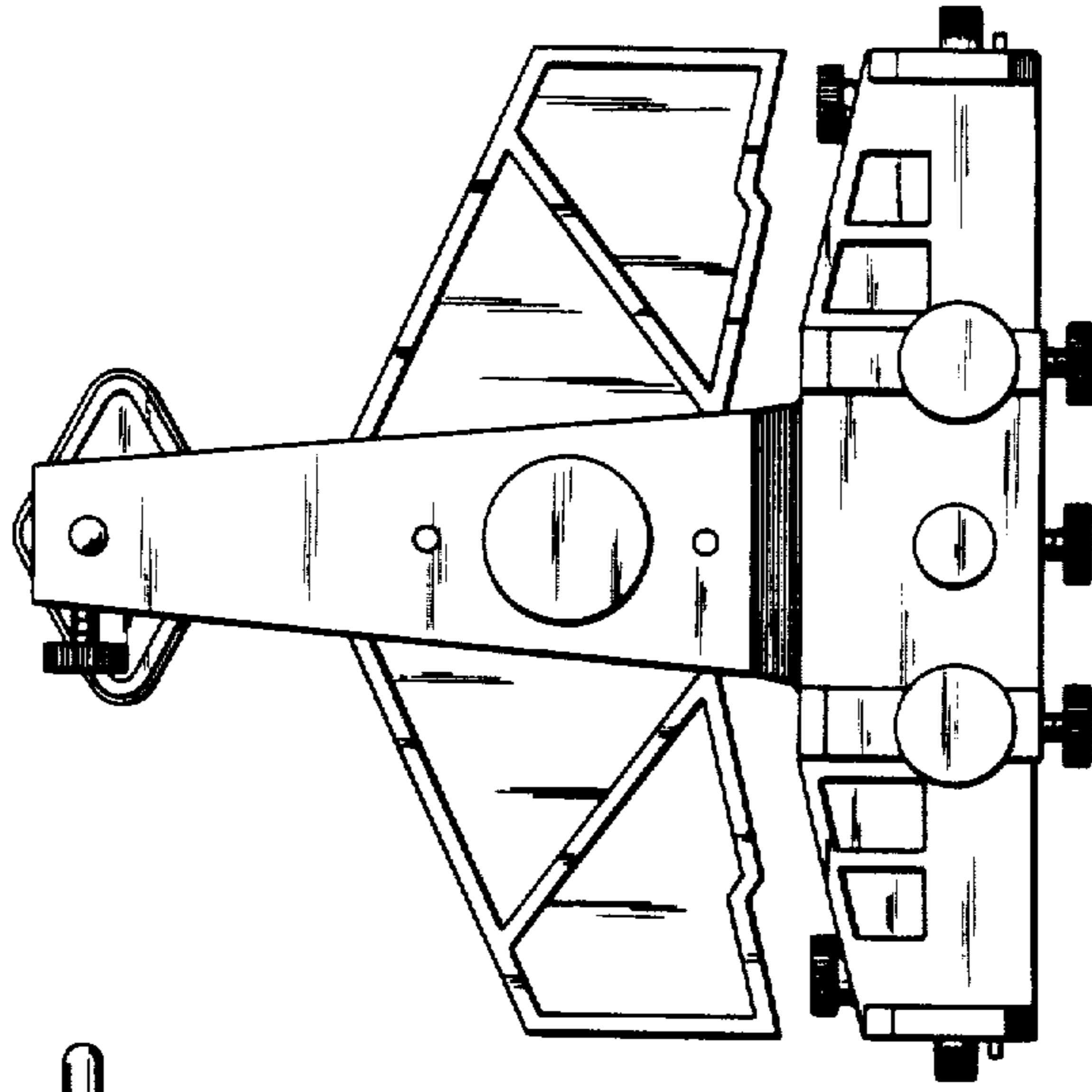
The ornamental design for a dental articulator, as shown and described.

DESCRIPTION

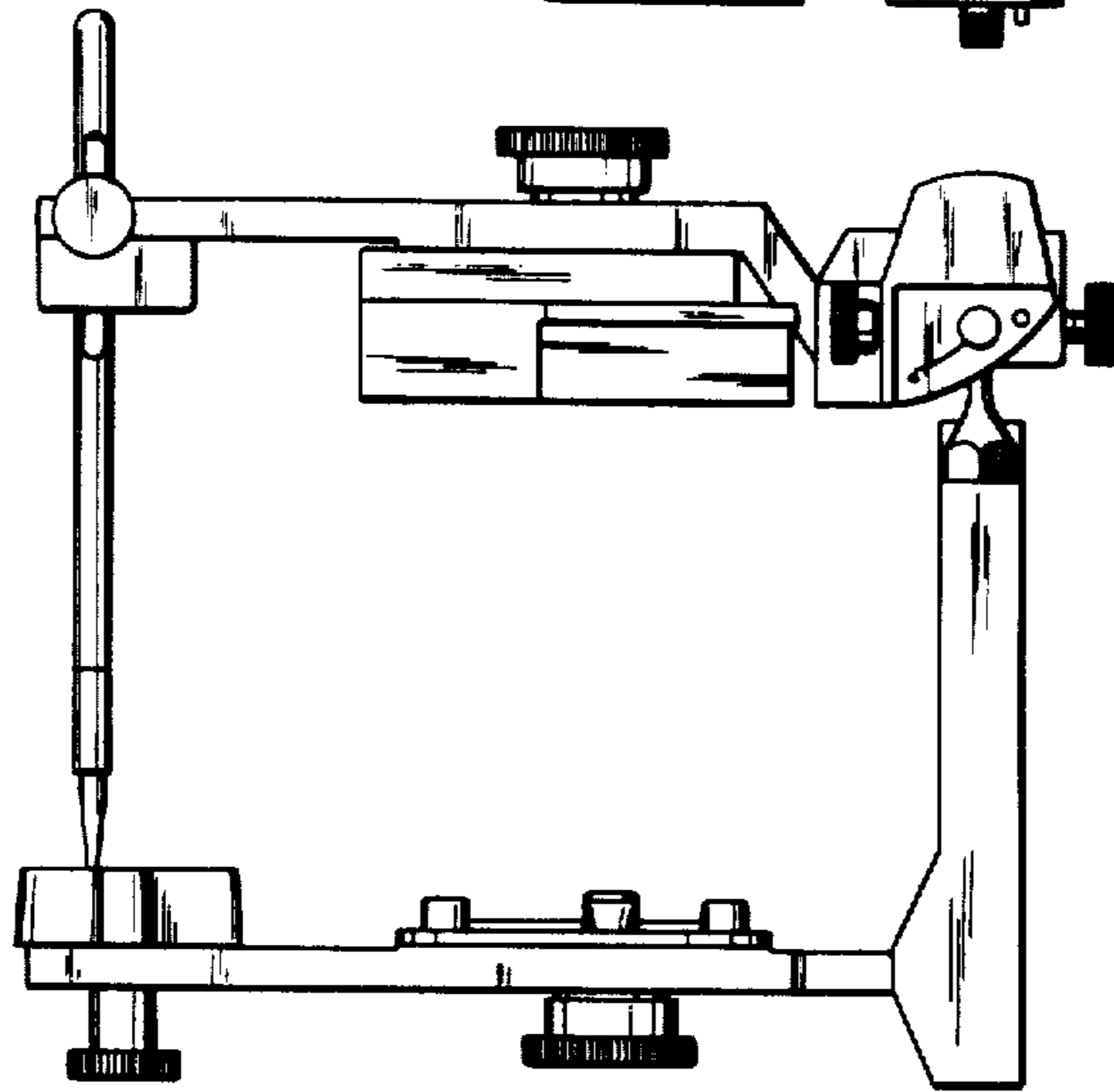
FIG. 1 is a top plan view of a dental articulator showing my new design;  
 FIG. 2 is a right side view thereof;  
 FIG. 3 is a bottom plan view thereof;  
 FIG. 4 is a front view thereof;  
 FIG. 5 is a rear view thereof; and  
 FIG. 6 is a left side view thereof.



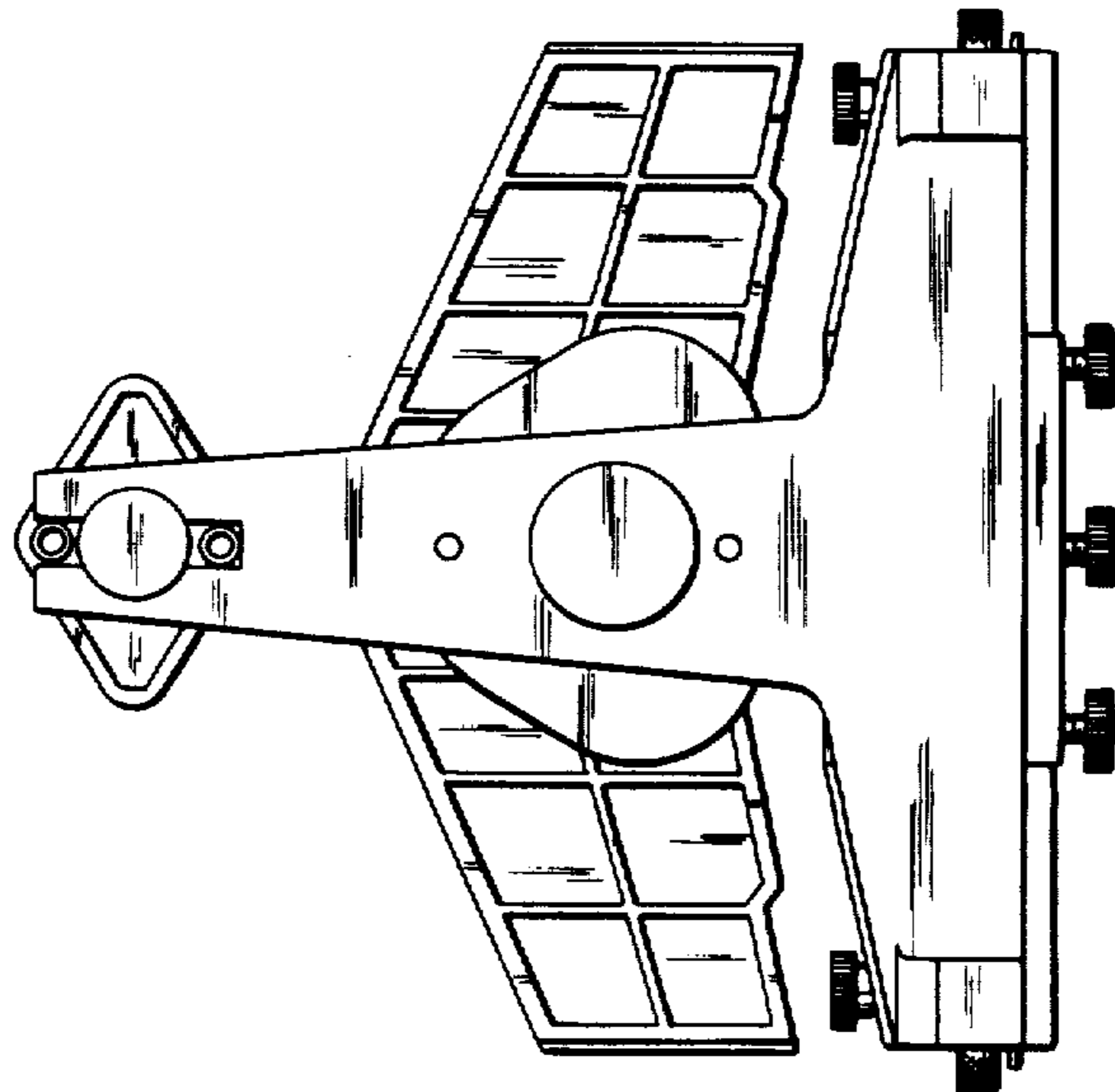
*Fig. 1*



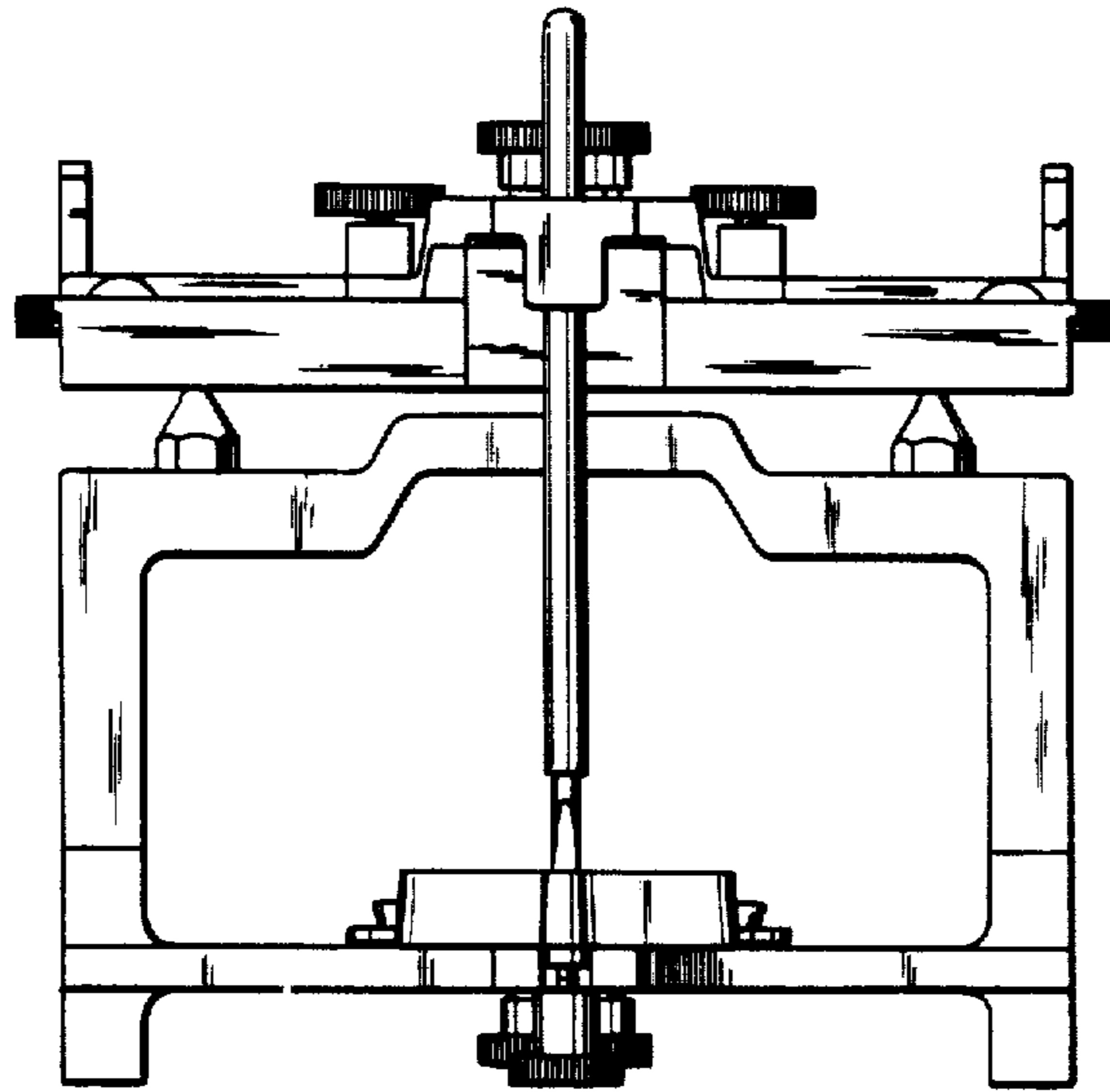
*Fig. 2*



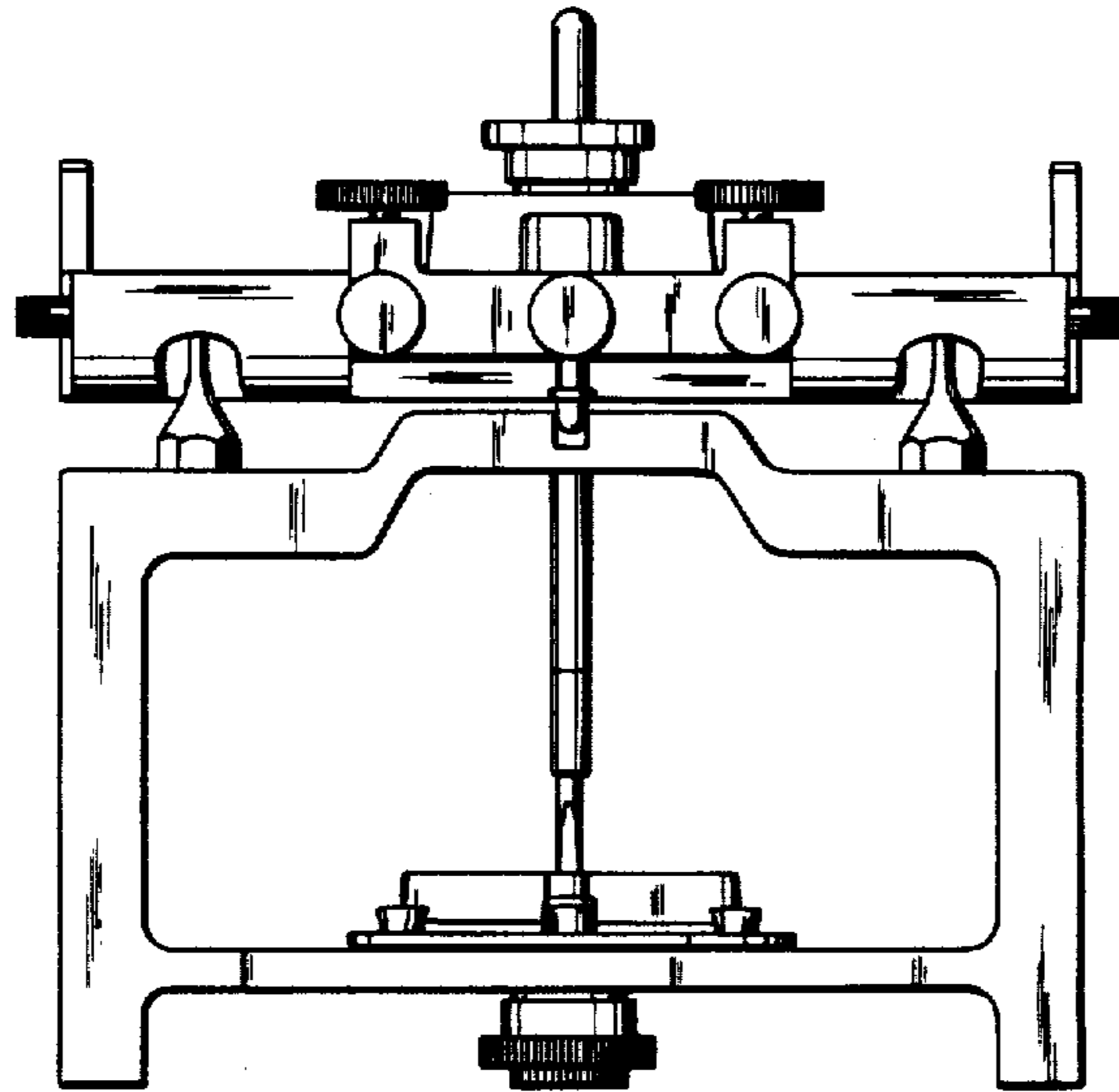
*Fig. 3*



*Fig. 4*



*Fig. 5*



*Fig. 6*

