

[54] **TOP FOR A WOOD BURNING STOVE**

[75] **Inventor:** Duncan C. Syme, Chelsea, Vt.

[73] **Assignee:** Vermont Castings, Inc., Randolph, Vt.

[**] **Term:** 14 Years

[21] **Appl. No.:** 86,516

[22] **Filed:** Oct. 19, 1979

[51] **Int. Cl.** D23—03

[52] **U.S. Cl.** D23/127

[58] **Field of Search** D23/72, 86, 89, 92-97,
D23/105, 107, 108, 127, 128; D7/112, 113, 114;
126/4, 6, 58-66, 120, 121, 123, 126, 138, 211,
217

[56] **References Cited**

U.S. PATENT DOCUMENTS

D. 250,203 11/1978 Syme D23/97

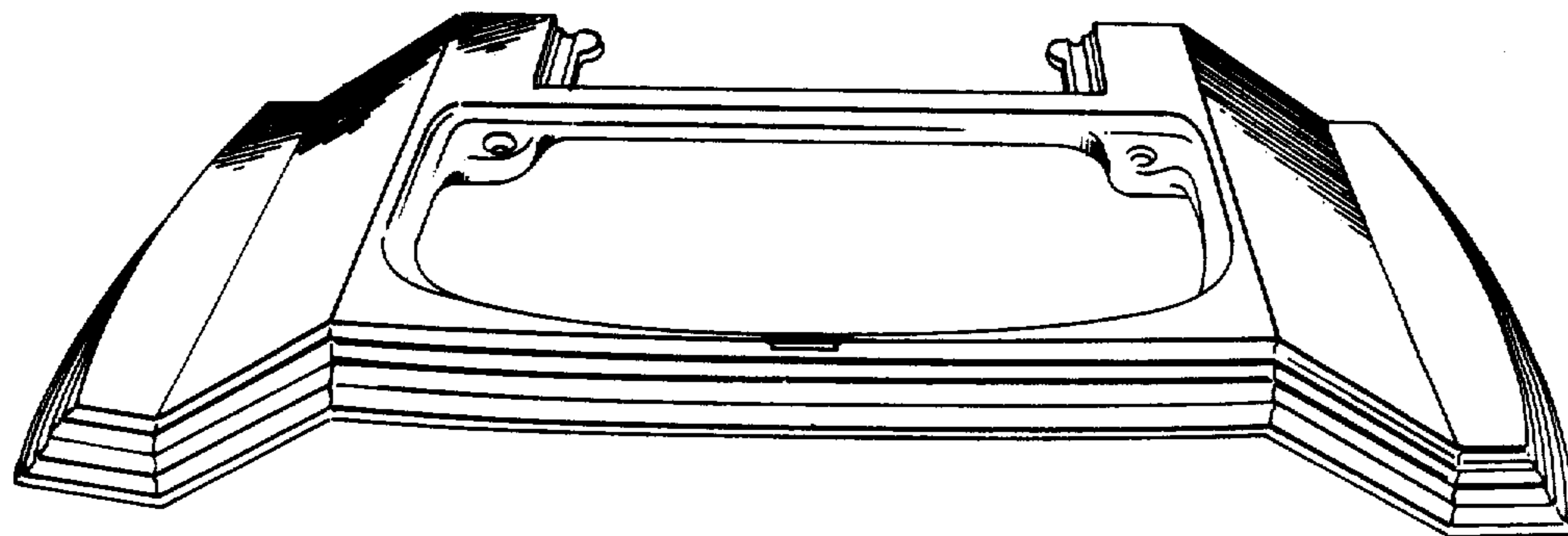
Primary Examiner—Catherine E. Kemper
Attorney, Agent, or Firm—Kenway & Jenney

[57] **CLAIM**

The ornamental design for a top for a wood burning stove, as shown.

DESCRIPTION

FIG. 1 is a plan view of the outside of a top for a wood burning stove showing my new design;
FIG. 2 is a top perspective view thereof showing the outside of the top;
FIG. 3 is a bottom perspective view thereof showing the inside of the top; and
FIG. 4 is another bottom view of the inside of the top.



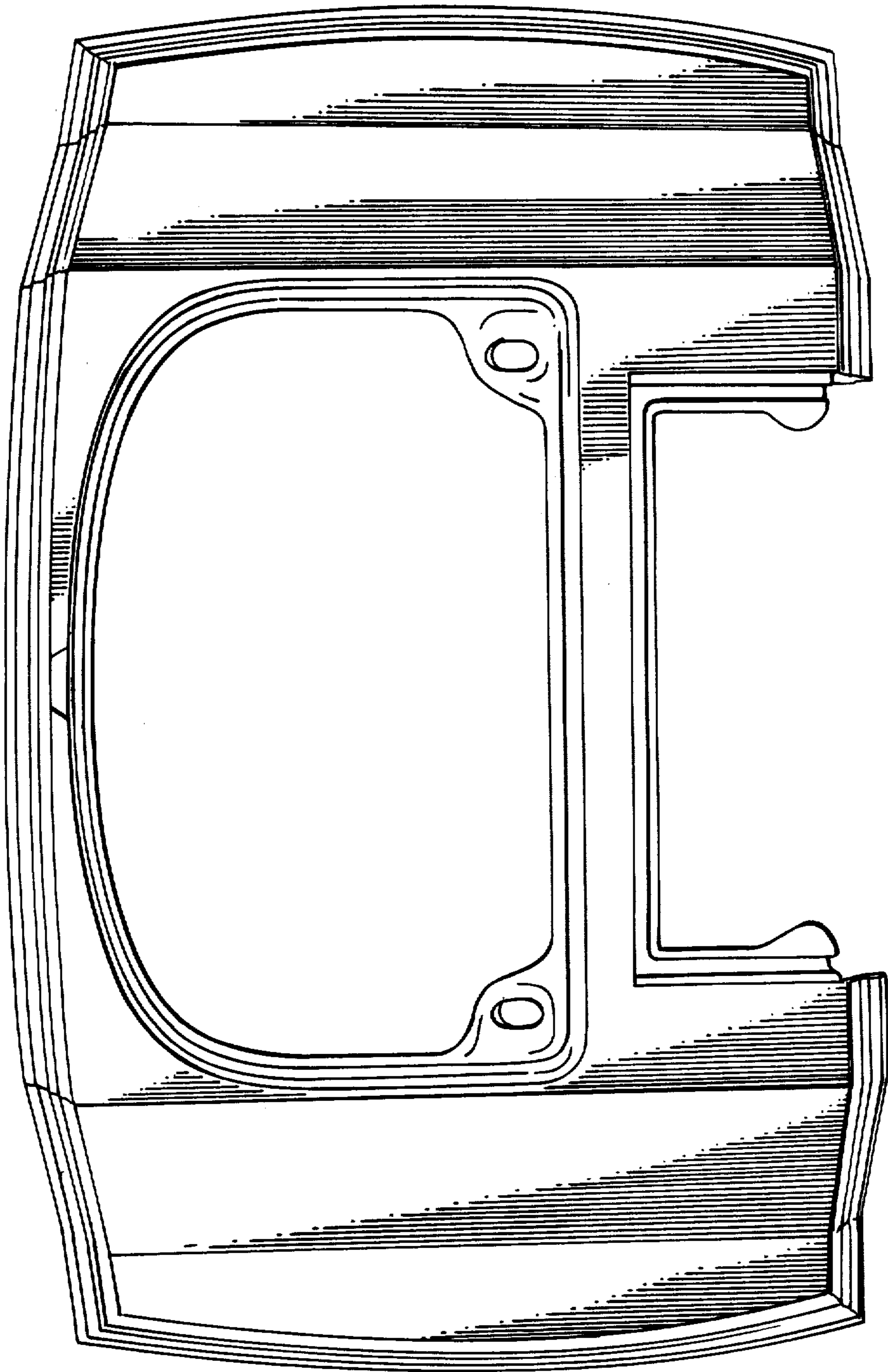


FIG. 1

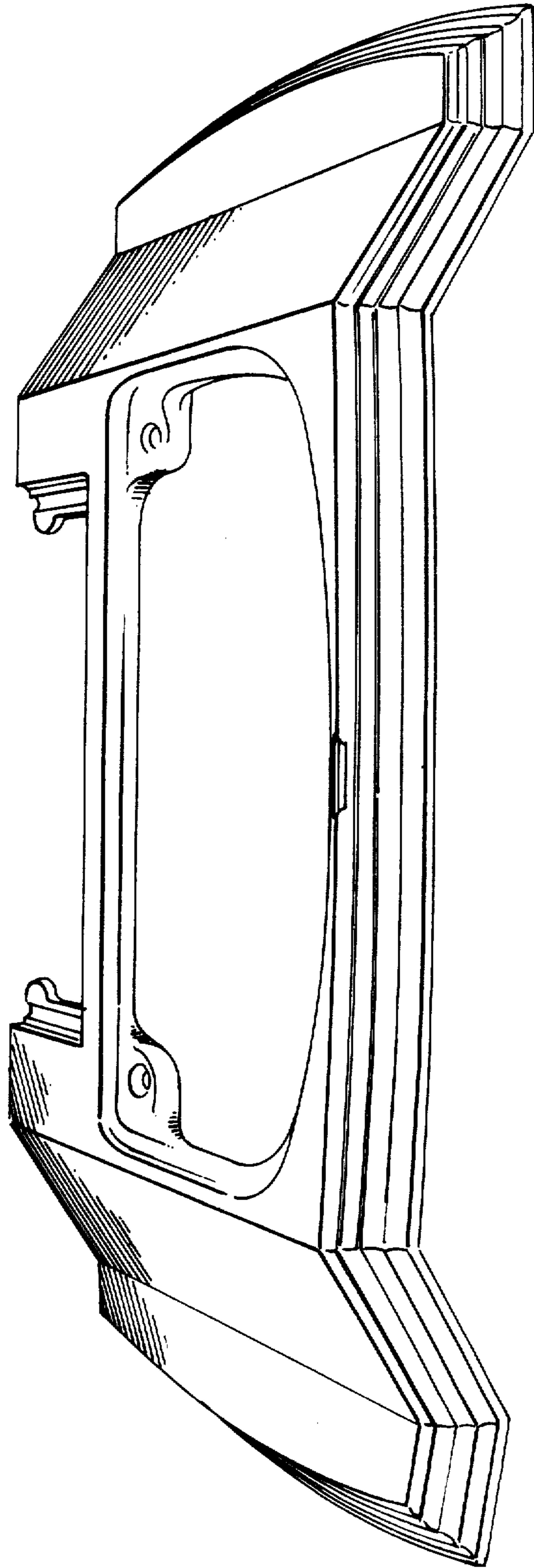


FIG. 2

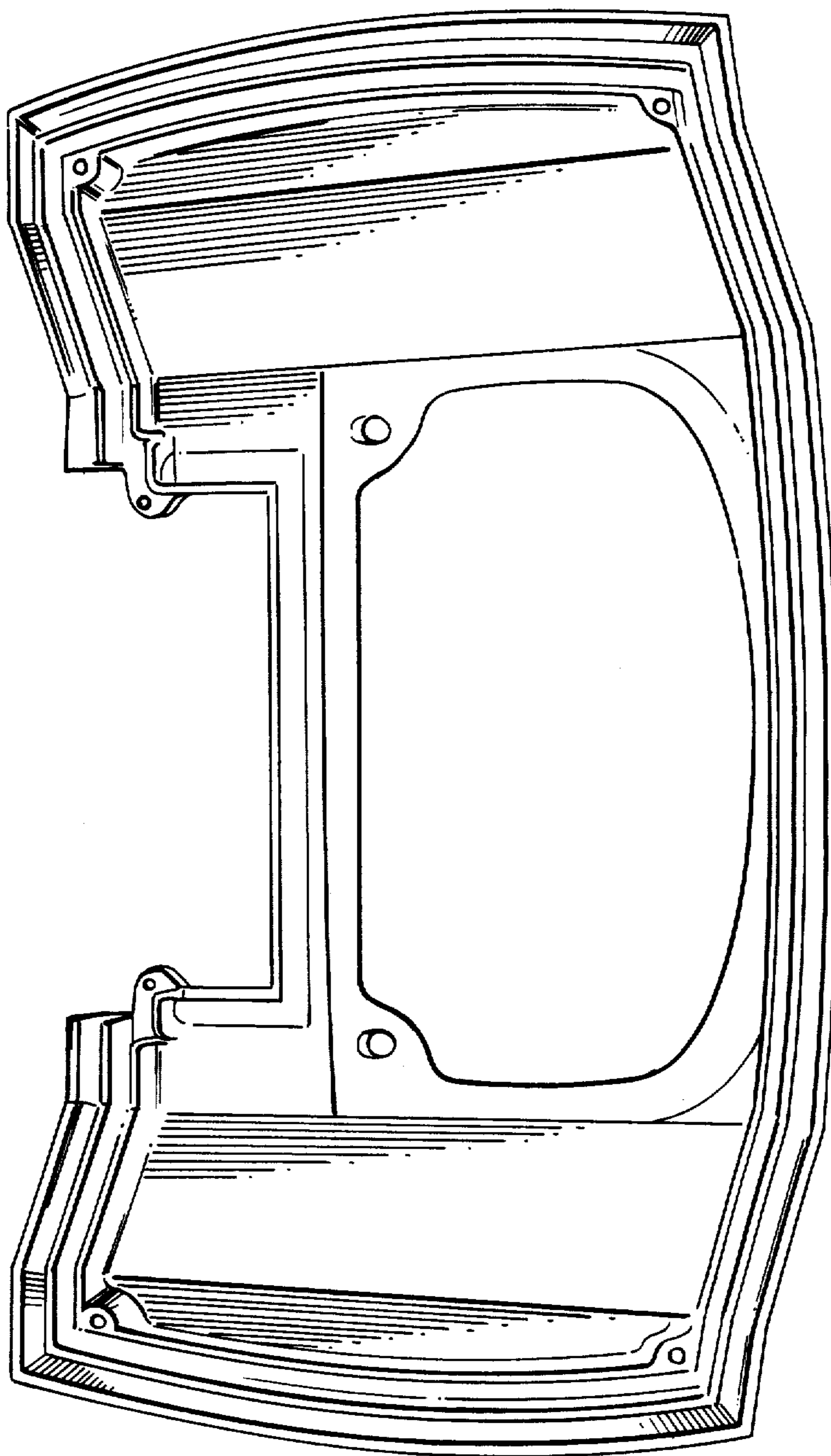


FIG. 3

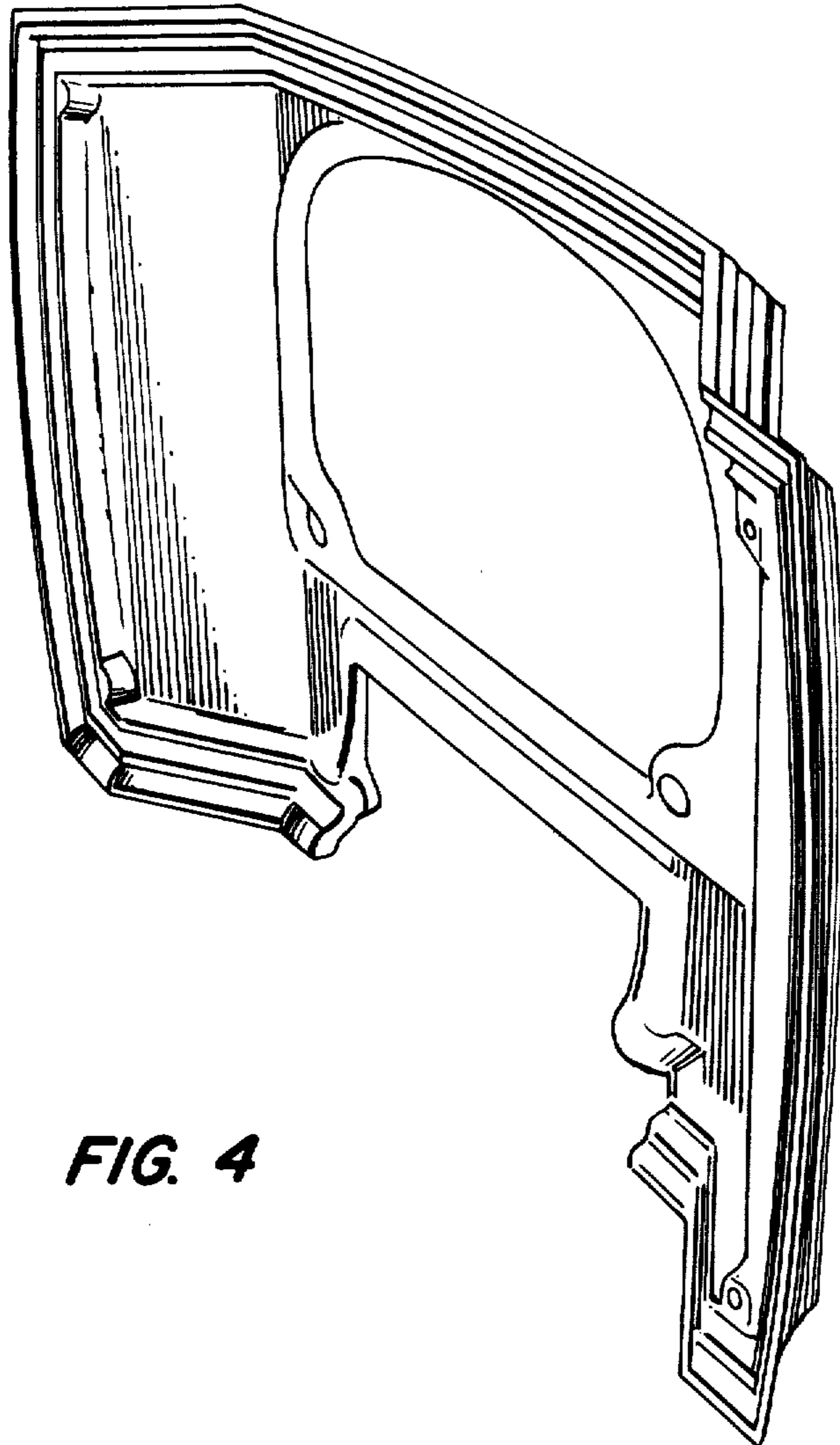


FIG. 4