

[54] BACK PANEL FOR WOOD BURNING STOVE

[75] Inventor: Duncan C. Syme, Chelsea, Vt.

[73] Assignee: Vermont Castings, Inc., Randolph, Vt.

[\*\*] Term: 14 Years

[21] Appl. No.: 86,515

[22] Filed: Oct. 19, 1979

[51] Int. Cl. .... D23-03

[52] U.S. Cl. .... D23/127

[58] Field of Search ..... D23/72, 86, 89, 92-97, D23/105, 107, 108, 127, 128; D7/112, 113, 114; 126/4, 6, 58-66, 120, 121, 123, 126, 138

[56]

References Cited

U.S. PATENT DOCUMENTS

D. 250,203 11/1978 Syme ..... D23/97

Primary Examiner—Catherine E. Kemper  
Attorney, Agent, or Firm—Kenway & Jenney

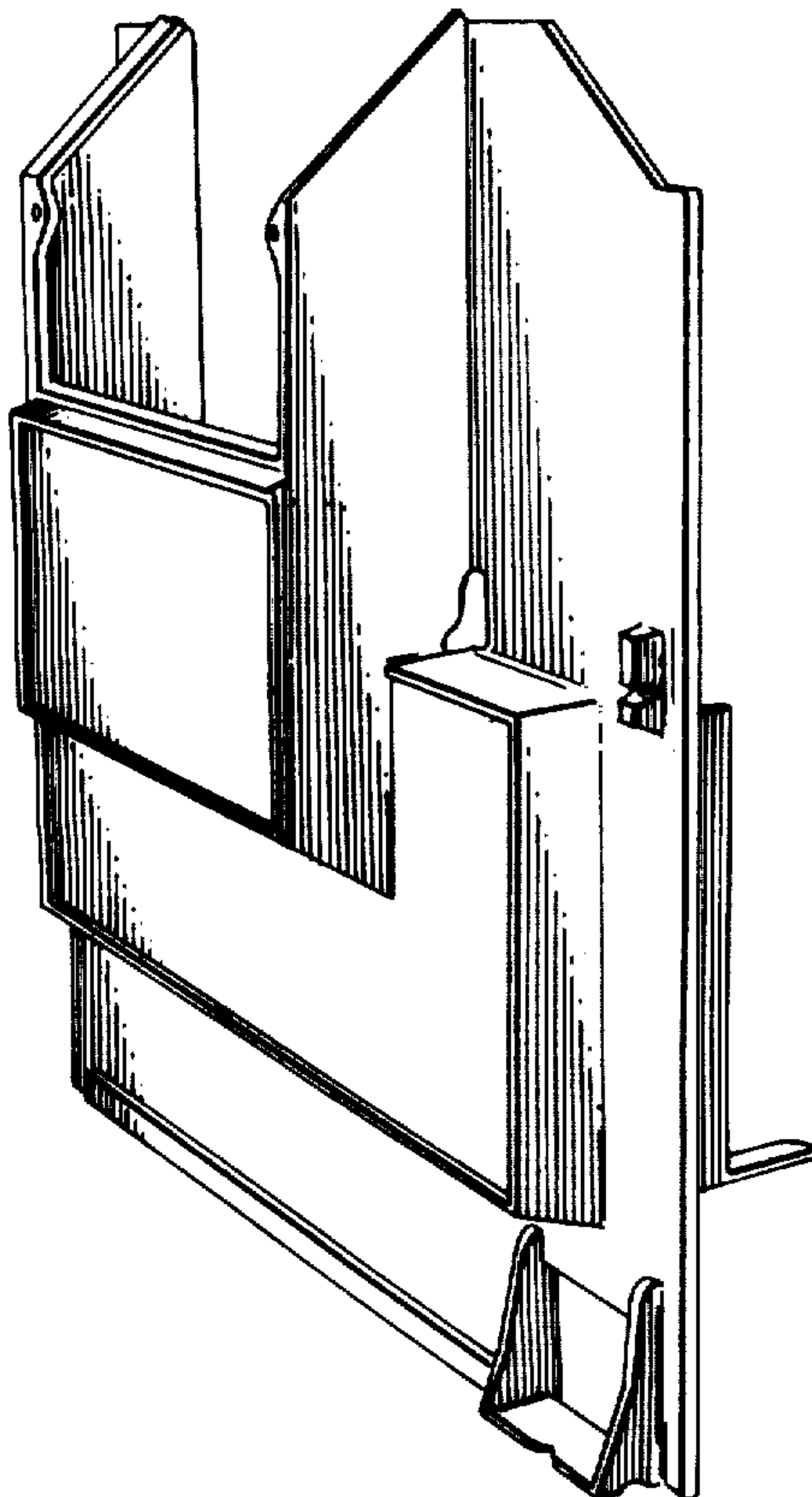
[57]

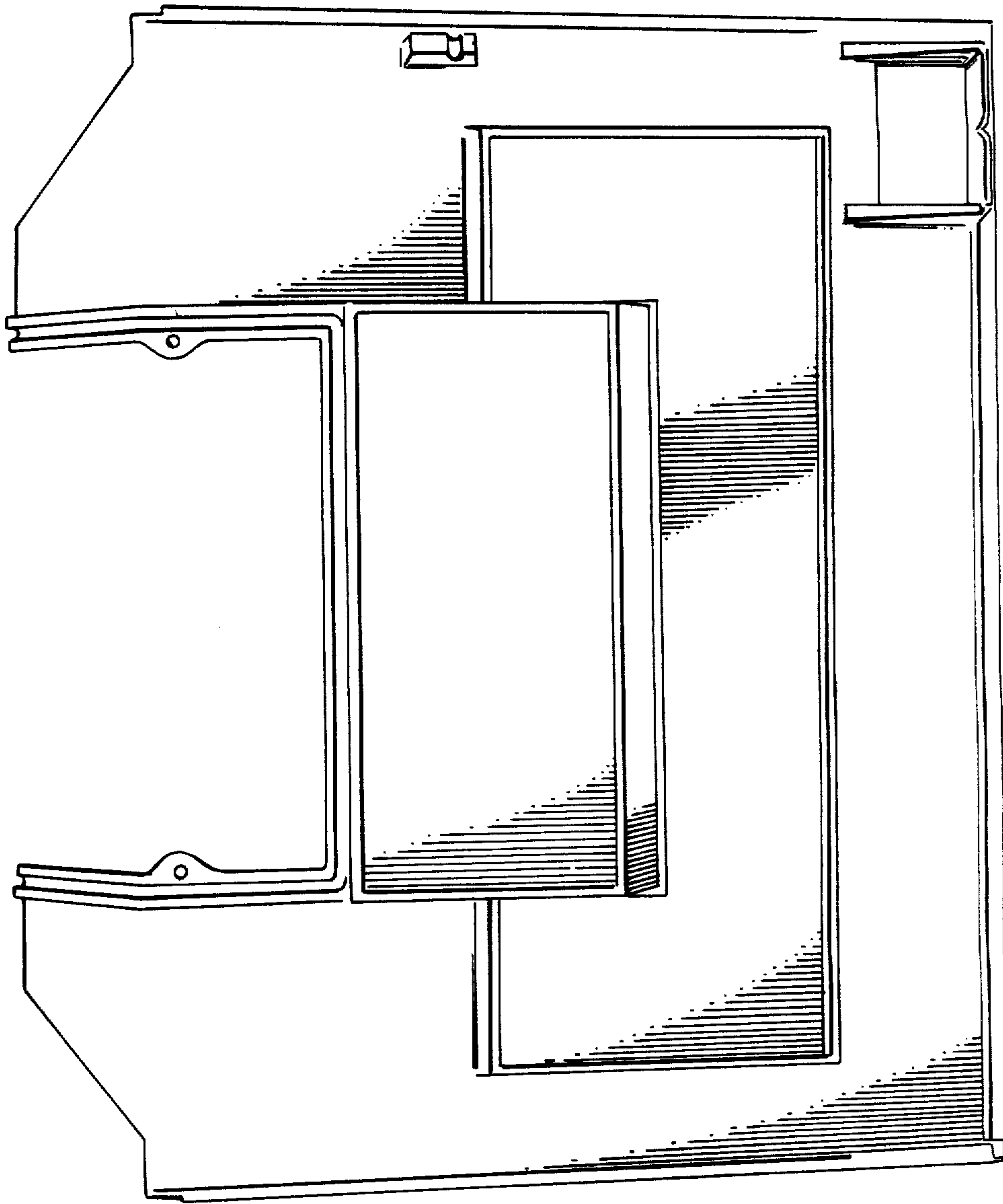
CLAIM

The ornamental design for a back panel for a wood burning stove, as shown.

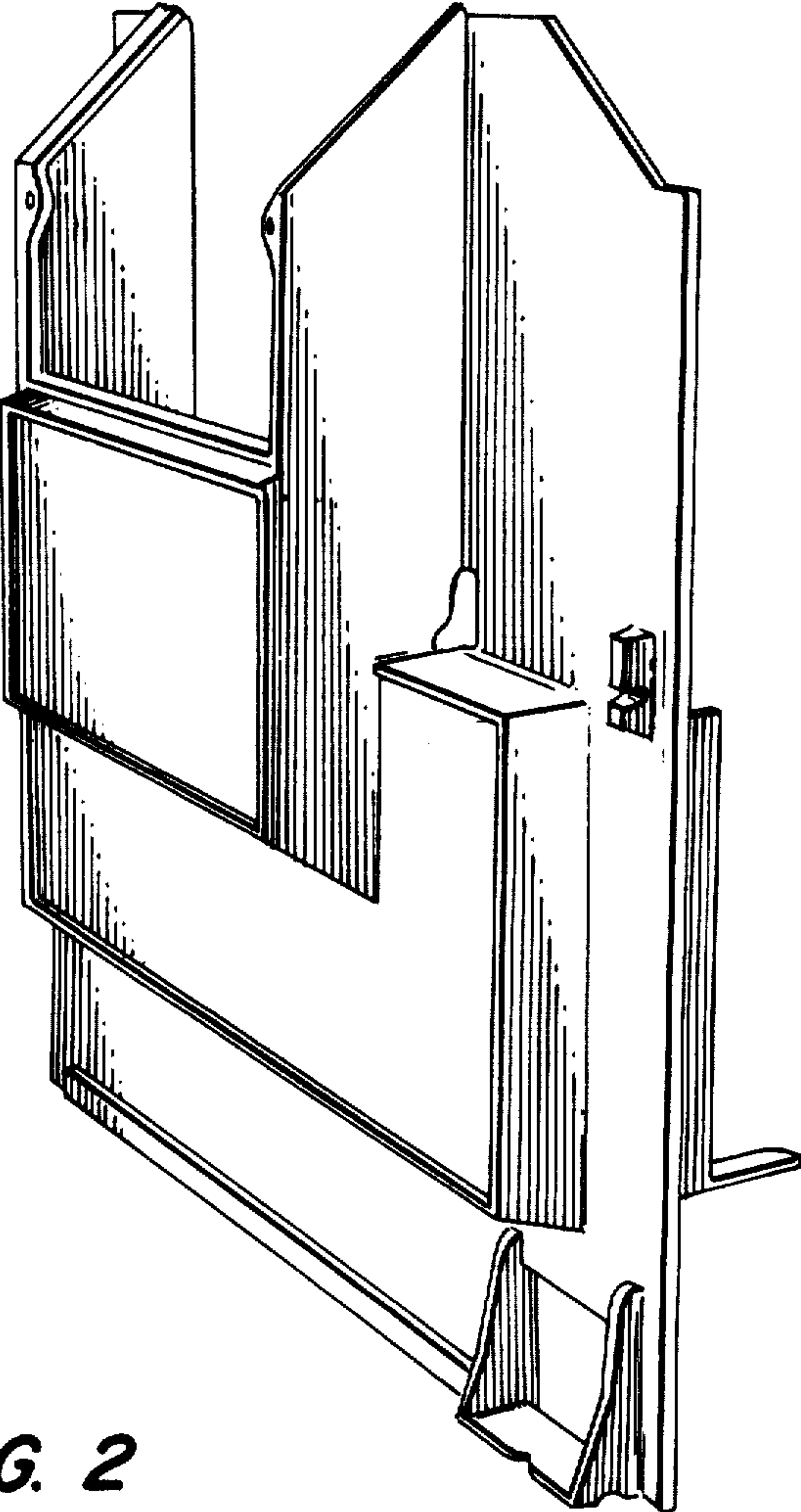
DESCRIPTION

FIG. 1 is a front view of the outside of the back panel for a wood burning stove showing my new design; FIG. 2 is a front perspective view thereof; FIG. 3 is a rear view thereof showing the inside of the back panel; FIG. 4 is a rear perspective view thereof from one side; and FIG. 5 is a rear perspective view thereof from the other side.

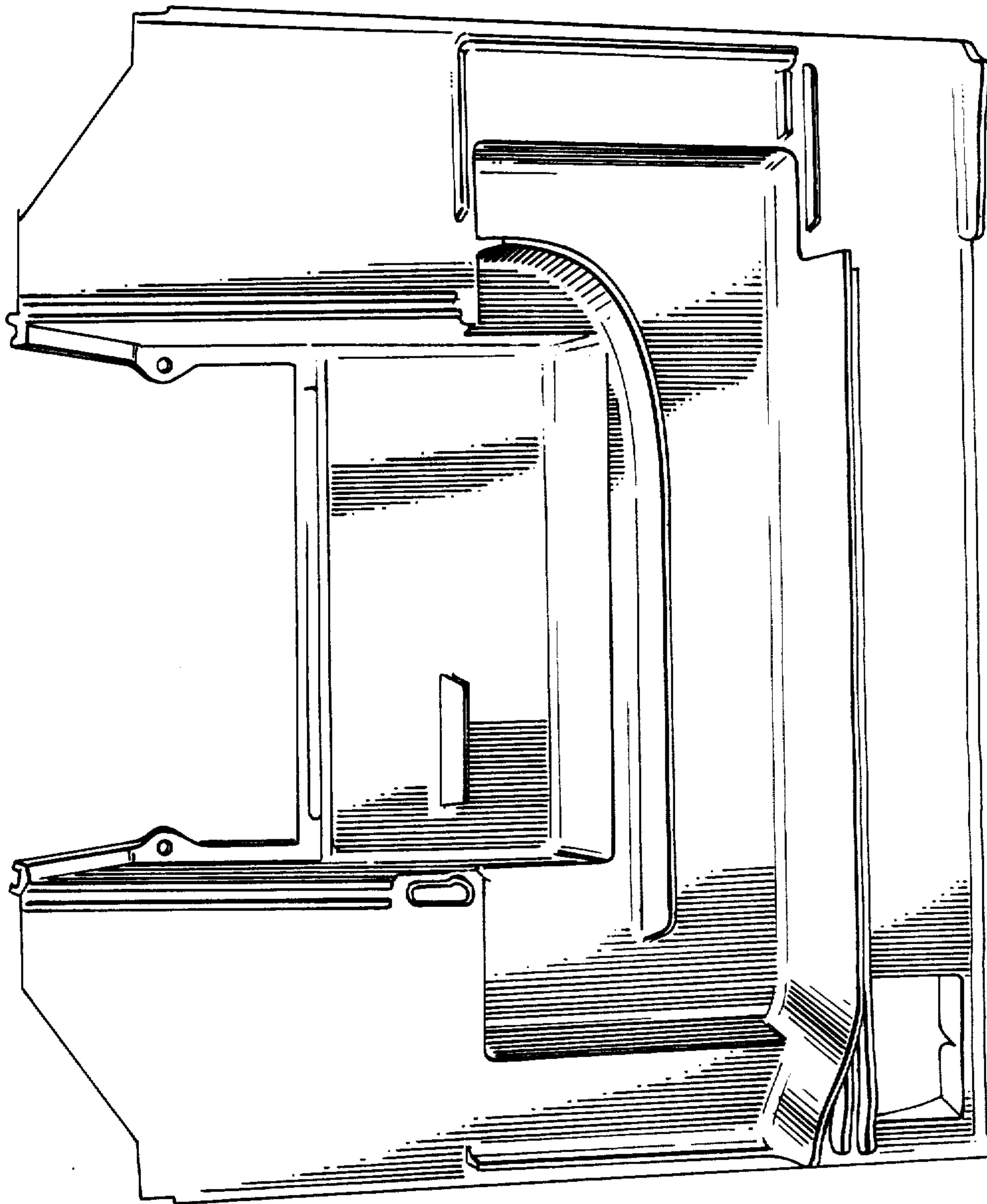




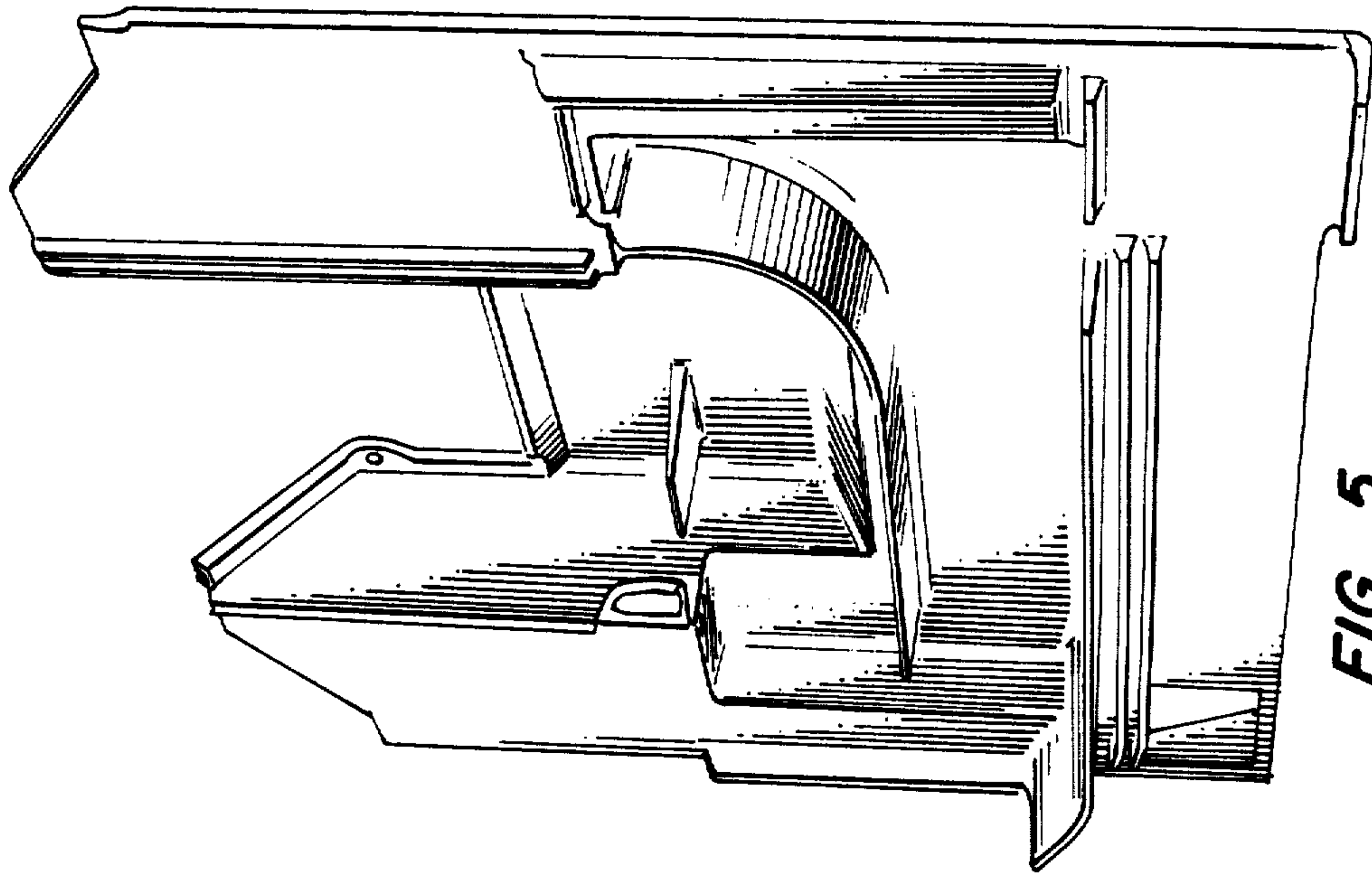
*FIG. 1*



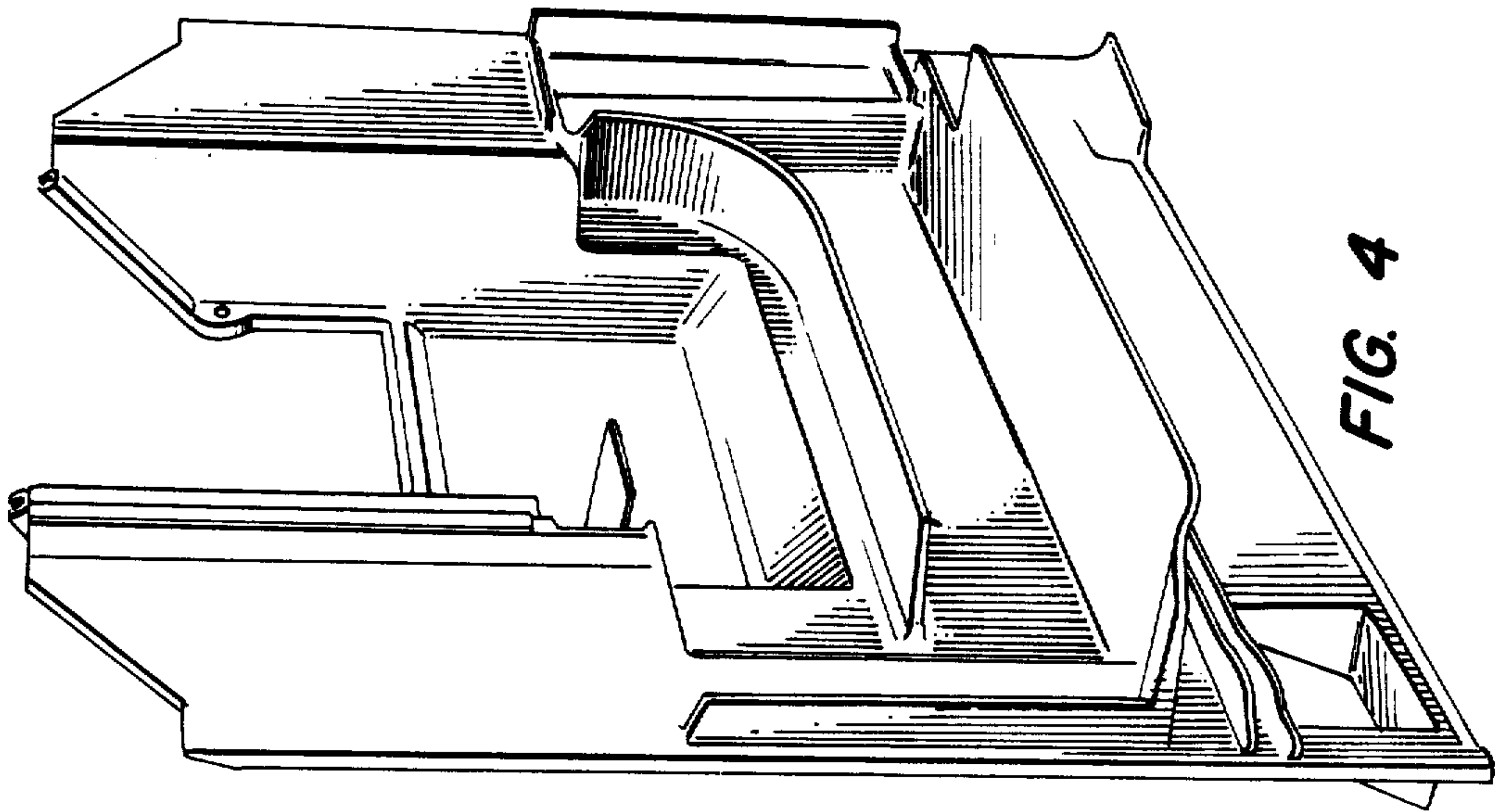
**FIG. 2**



**FIG. 3**



**FIG. 5**



**FIG. 4**