

[54] **SOLID FUEL FURNACE**

[76] Inventor: **Bunyan B. Cagle**, 5711 Grand Ave., Fort Smith, Ark. 72901

[**] Term: **14 Years**

[21] Appl. No.: **18,659**

[22] Filed: **Mar. 8, 1979**

[51] Int. Cl. **D23—03**

[52] U.S. Cl. **D23/97**

[58] Field of Search **D23/72, 77, 92, 93, D23/94, 95, 96, 97, 105; 126/4, 6, 58, 59, 60, 61, 62, 63, 64, 65, 120, 121, 123, 126, 138, 110 R, 110 A, 110 B, 110 D, 116 R, 112; 236/11**

[56] **References Cited**

U.S. PATENT DOCUMENTS

D. 250,127	10/1978	Ramacher, Jr.	D23/97
D. 250,346	11/1978	Leach	D23/97
1,813,732	7/1931	Freeman	236/11

2,210,768	8/1940	McNamar	126/116 R
2,431,772	12/1947	Russell	126/110 R
2,456,570	12/1948	Stuckey et al.	126/77 X
3,171,399	3/1965	Kirgan	126/110 B
3,981,291	9/1976	Smith	126/110 R
4,020,822	5/1977	Harris	126/110 R
4,047,515	9/1977	Daniel	126/110 R
4,149,671	4/1979	Cagle	126/112 X
4,180,051	12/1979	Maier et al.	126/63 X

Primary Examiner—Catherine E. Kemper
Attorney, Agent, or Firm—Anthony A. O'Brien

[57] **CLAIM**

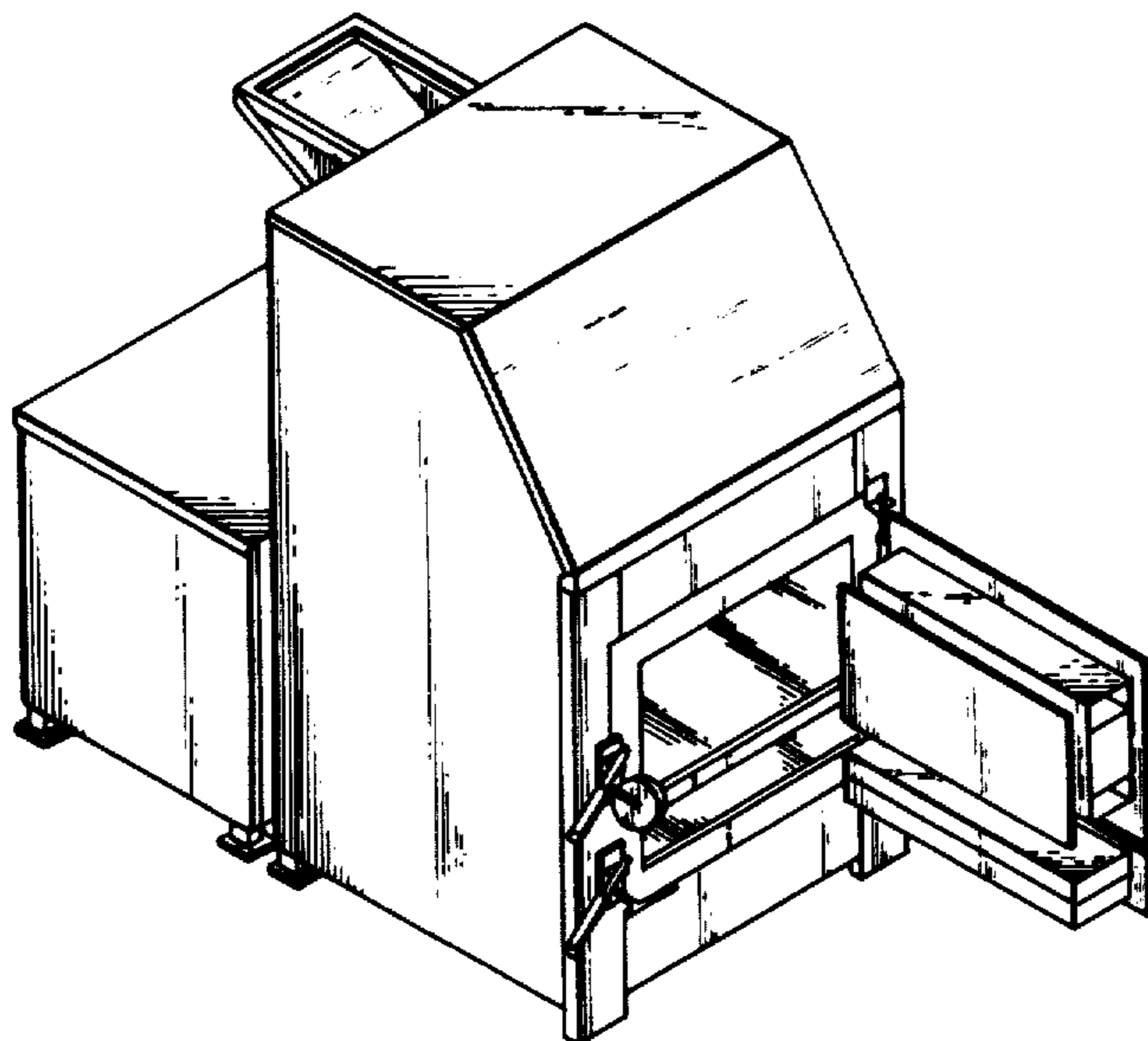
The ornamental design for a solid fuel furnace, substantially as shown and described.

DESCRIPTION

FIG. 1 is a front perspective view of a solid fuel furnace showing my new design.

FIG. 2 is a rear perspective view thereof.

FIG. 3 is a front elevational view thereof, shown with the doors closed and on a slightly smaller scale.



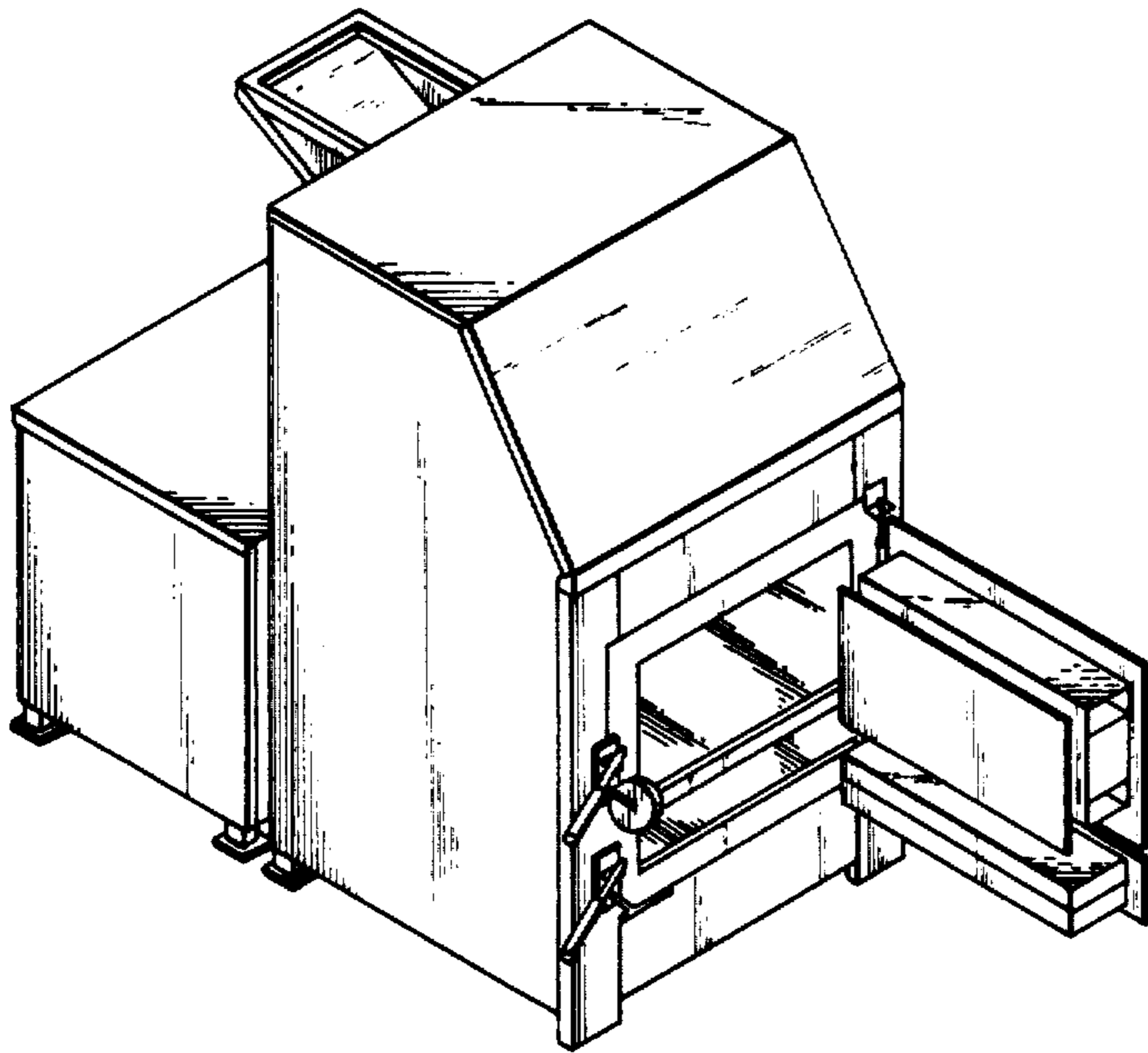


FIG. 1

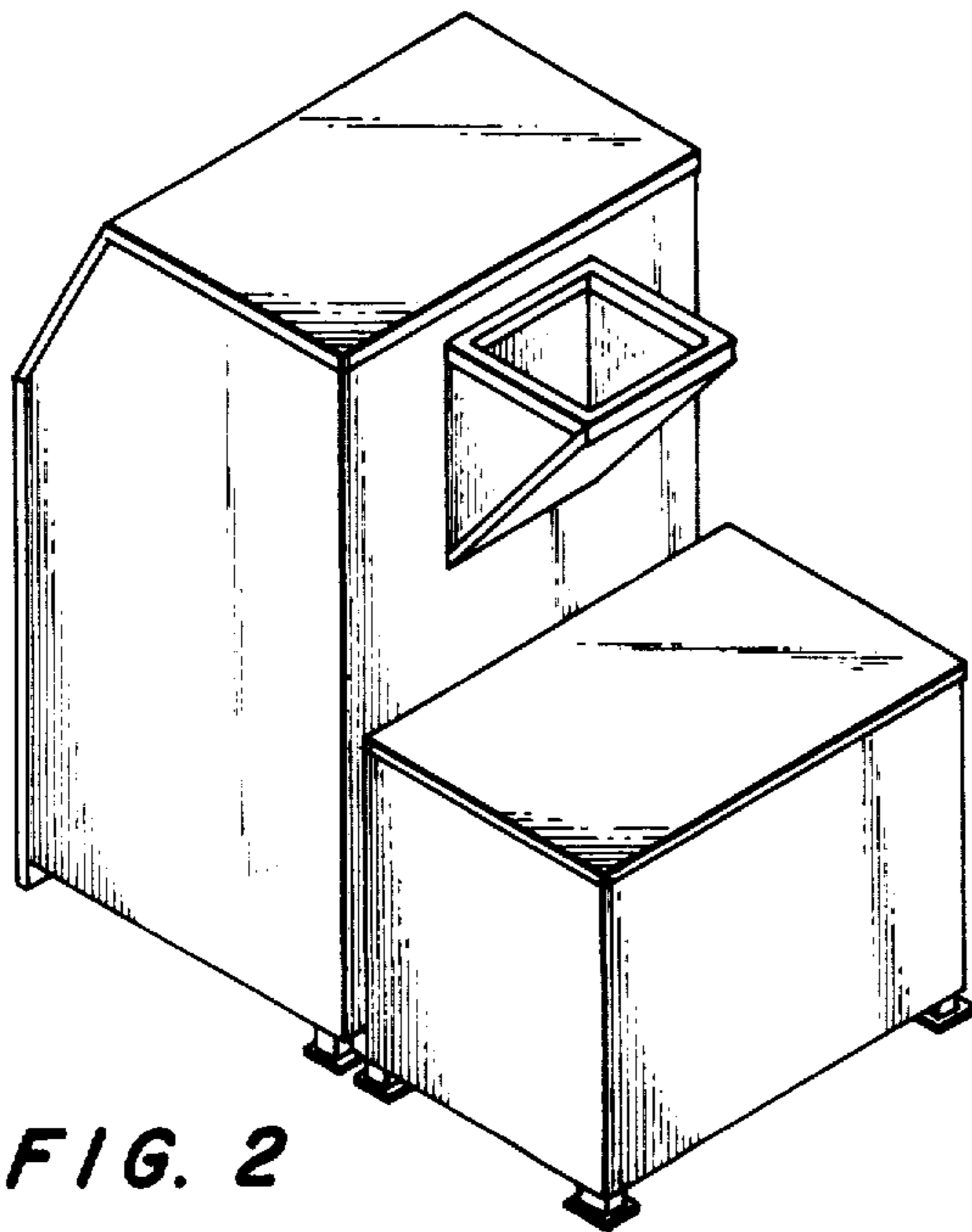


FIG. 2

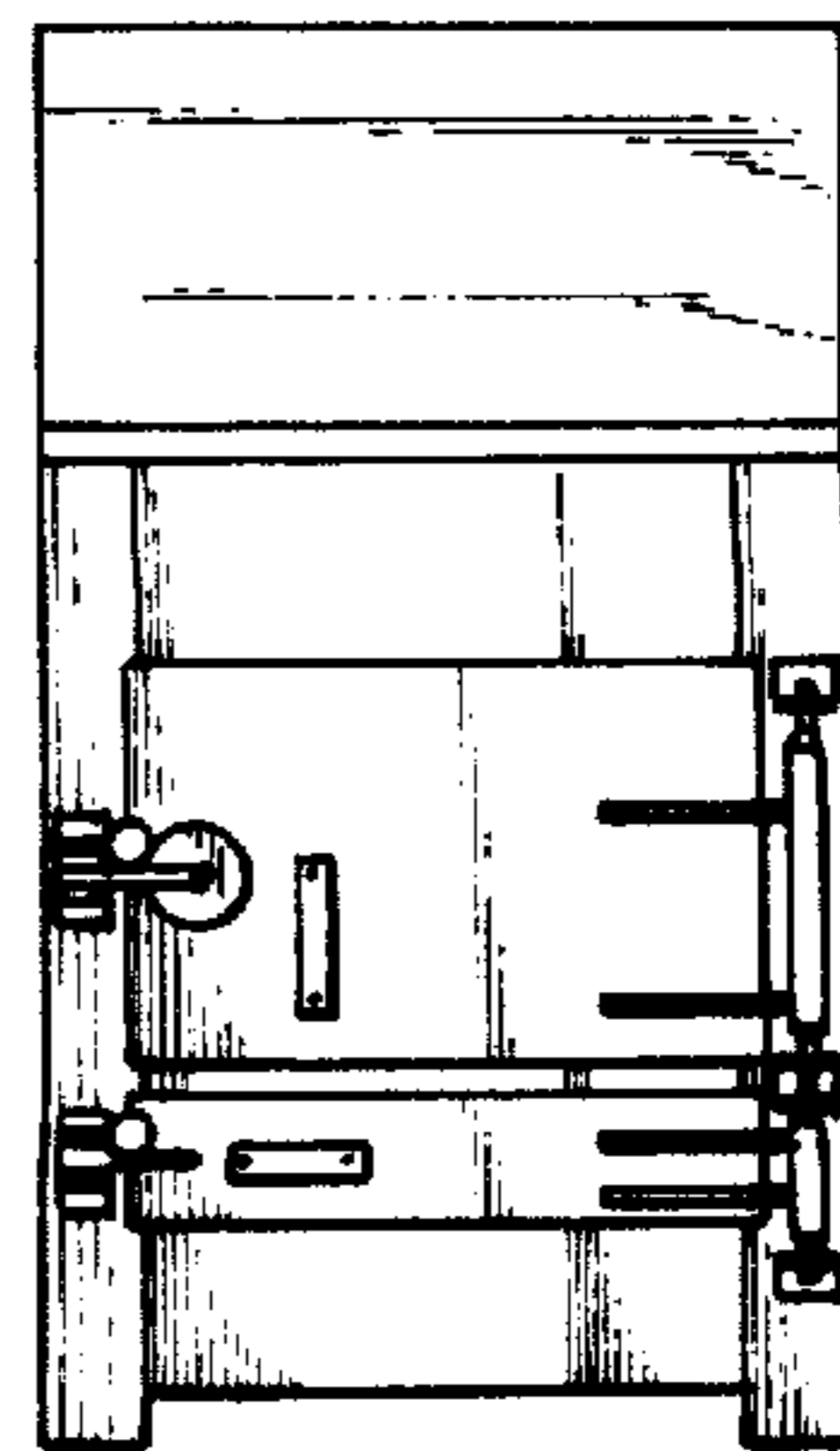


FIG. 3