

[54] **CONCENTRATING SOLAR RADIATION COLLECTOR ASSEMBLY**

[76] Inventor: **Arthur P. Fattor**, 5380 S. Holly, Englewood, Colo. 80111

[**] Term: **14 Years**

[21] Appl. No.: **887,636**

[22] Filed: **Mar. 17, 1978**

[51] Int. Cl. **D23-03**

[52] U.S. Cl. **D23/72**

[58] Field of Search **D23/72, 127; 126/417-451**

[56] **References Cited**

U.S. PATENT DOCUMENTS

3,990,430	11/1976	Robertson	126/438
4,003,366	1/1977	Lightfoot	126/438
4,022,184	5/1977	Anderson	126/438 X

Primary Examiner—Catherine E. Kemper
Attorney, Agent, or Firm—Richard D. Law

[57] **CLAIM**

The ornamental design for a concentrating solar radiation collector assembly, as shown and described.

DESCRIPTION

FIG. 1 is a top right front perspective view of a concentrating solar radiation collection assembly, showing my new design;

FIG. 2 is a front elevational view thereof;

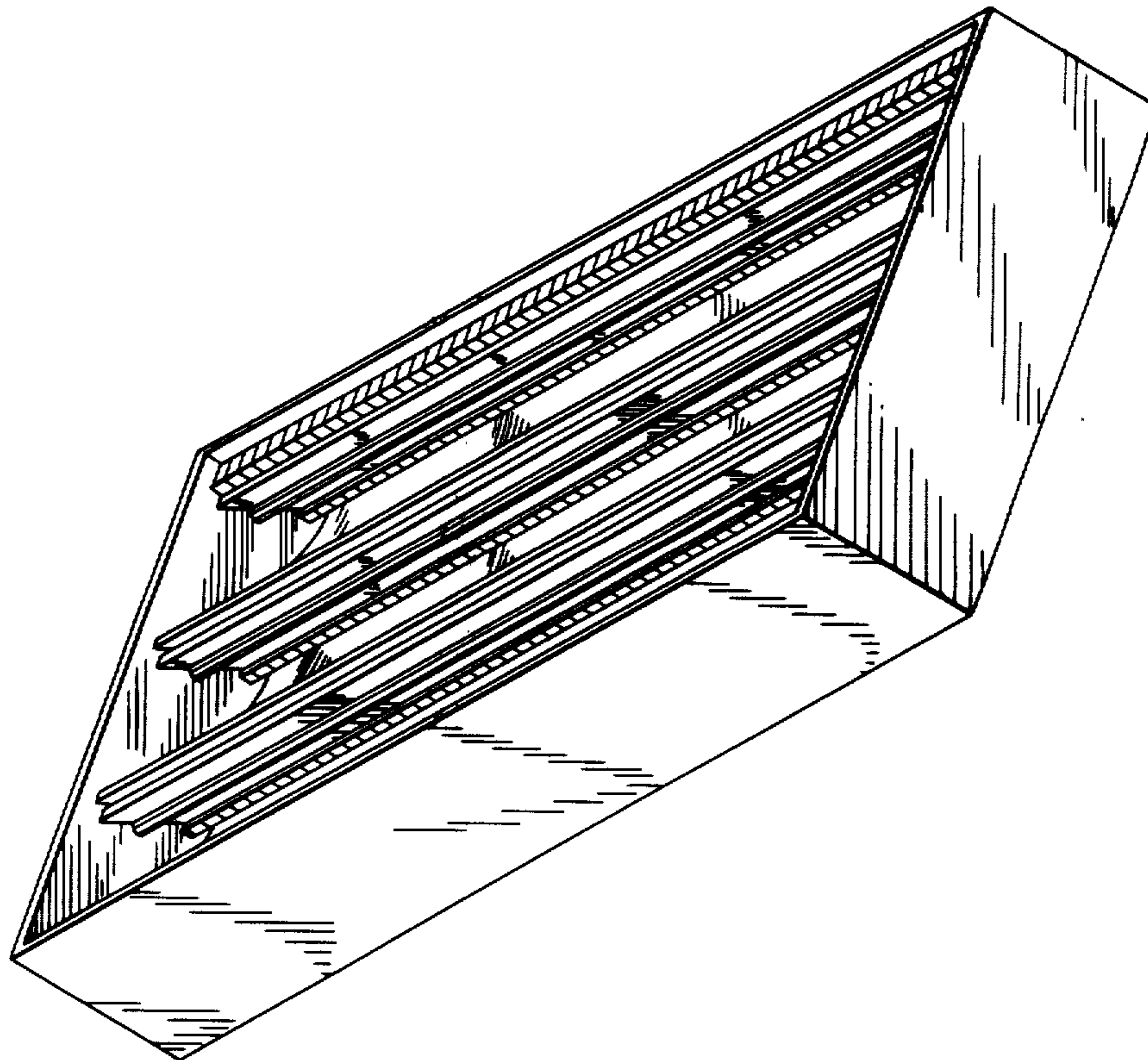
FIG. 3 is a side elevational view, the opposite side being identical thereto;

FIG. 4 is a rear elevation and view thereof;

FIG. 5 is a lower right perspective view of the concentrating solar radiation collector assembly;

FIG. 6 is a top plan view, the bottom being identical thereto;

FIG. 7 is a sectional view taken along line 7-7 shown in FIG. 2.



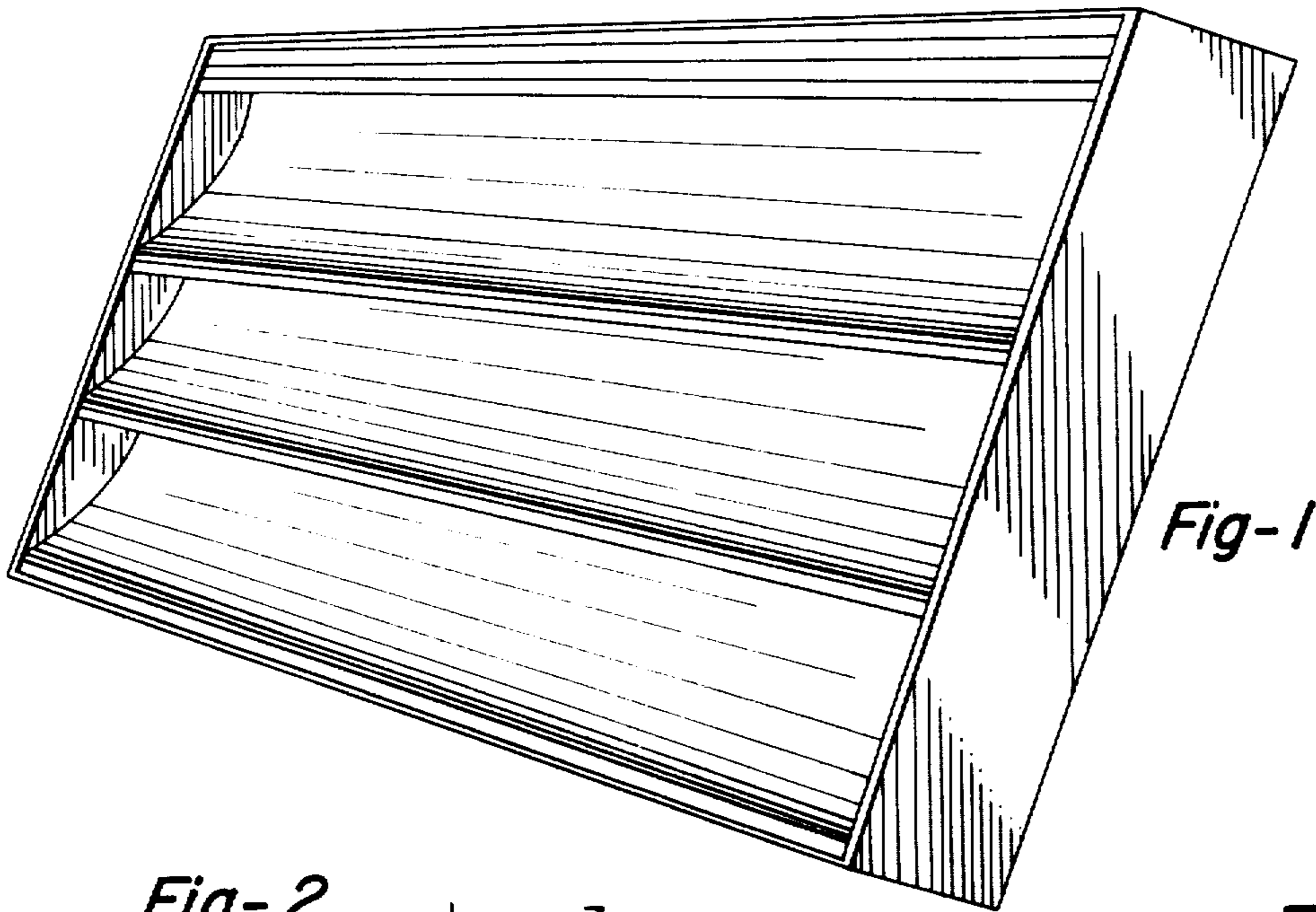
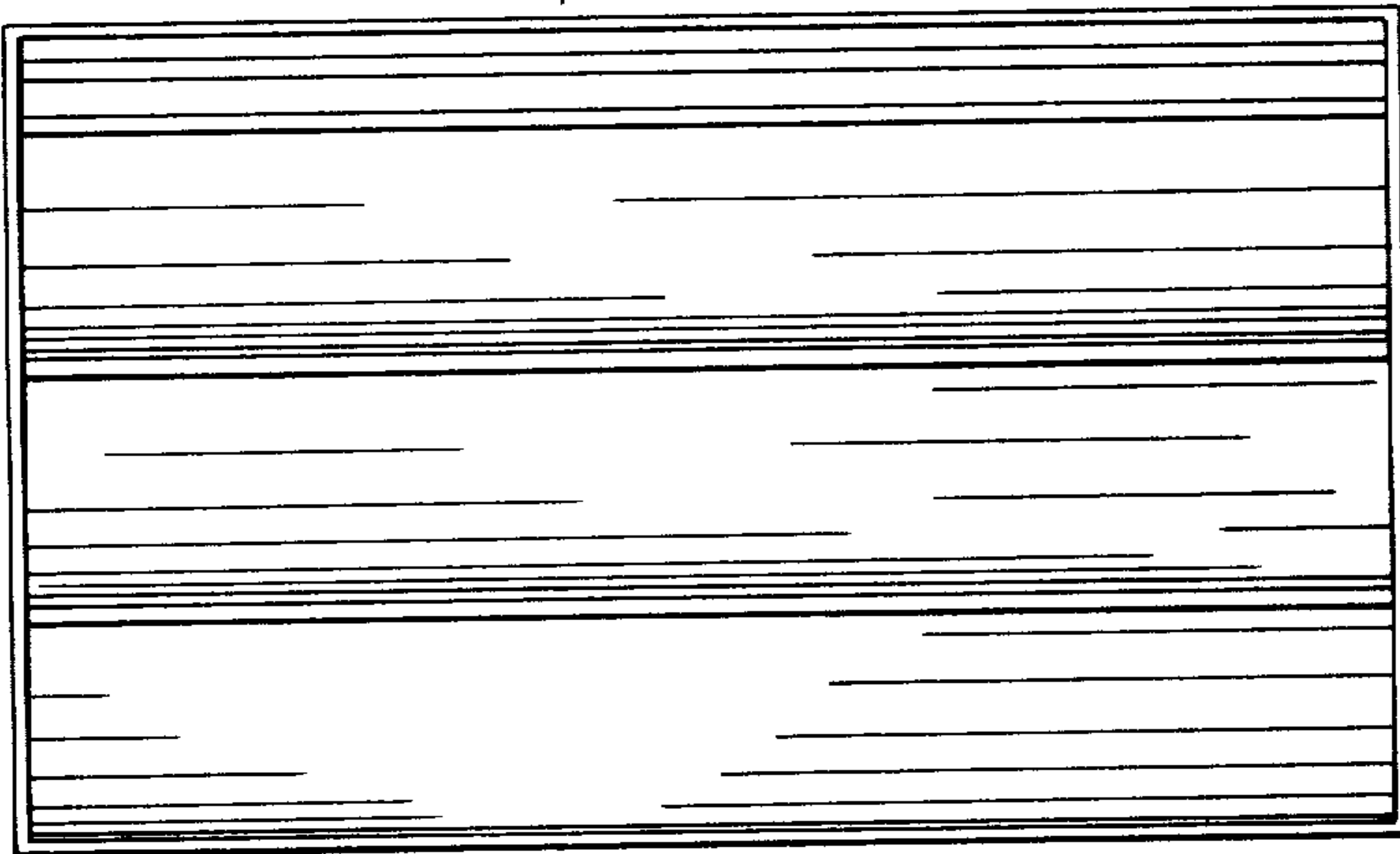


Fig-1

Fig-2 ← | — 7



← | — 7

Fig-3

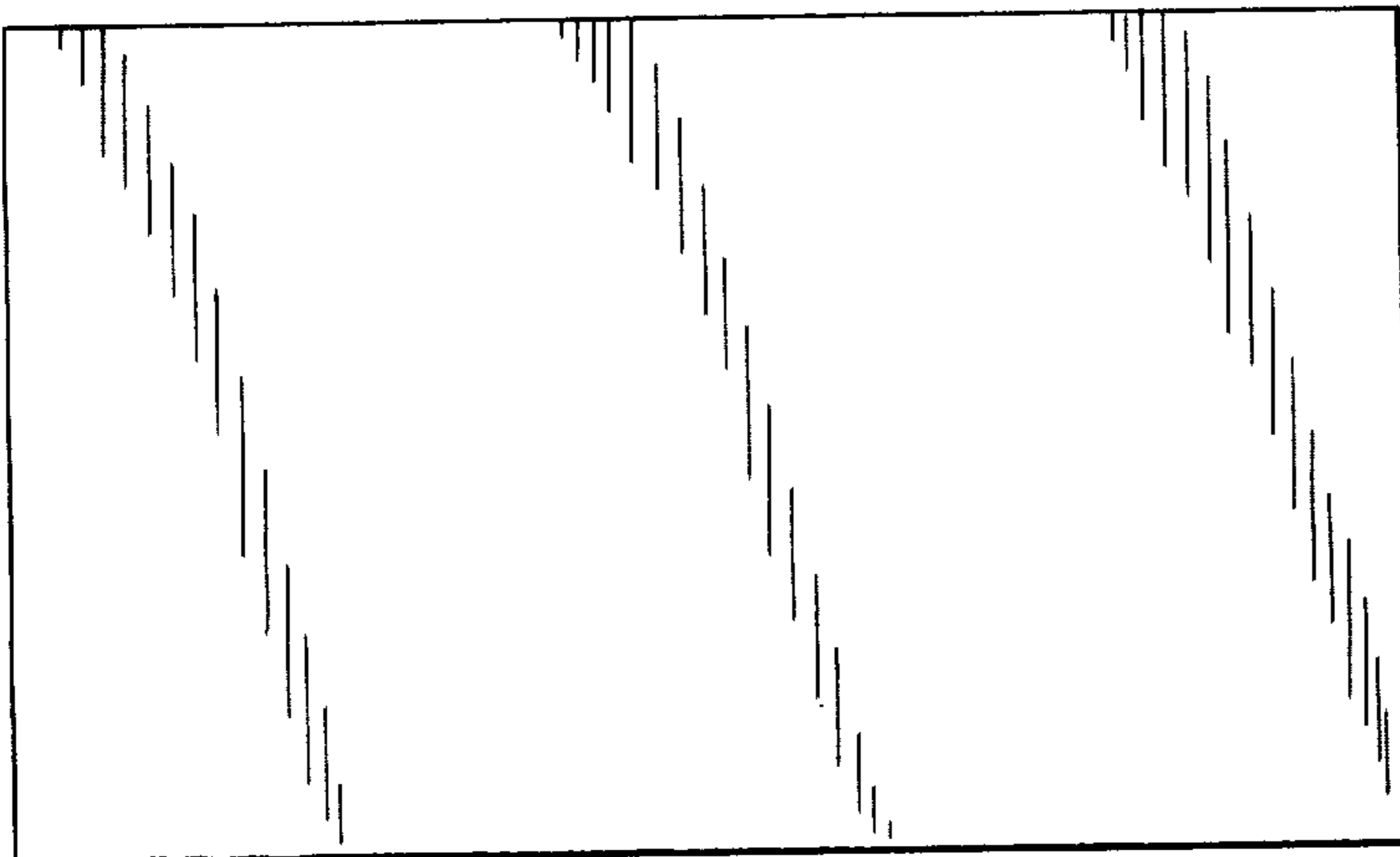
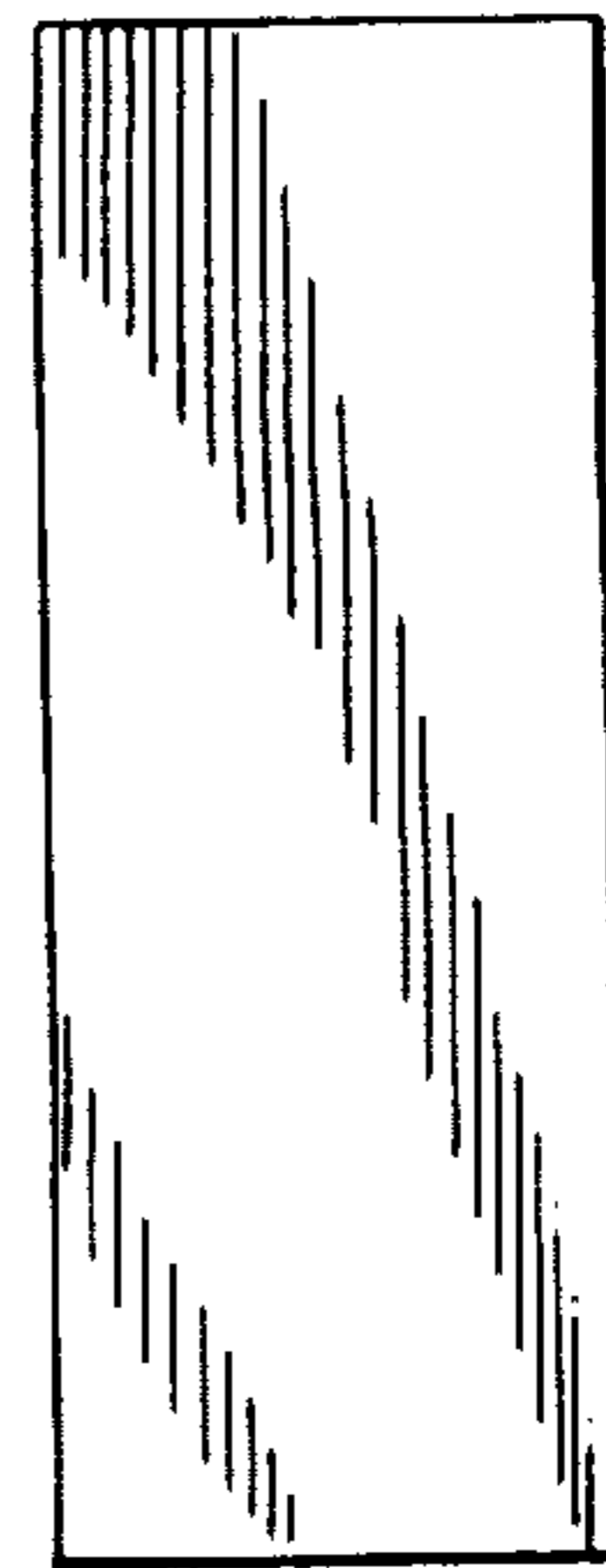


Fig-4

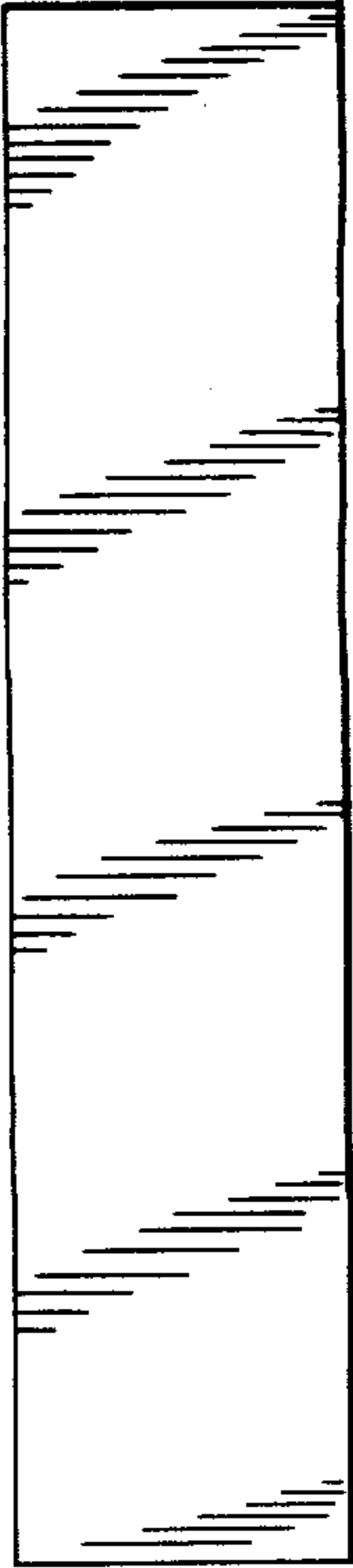
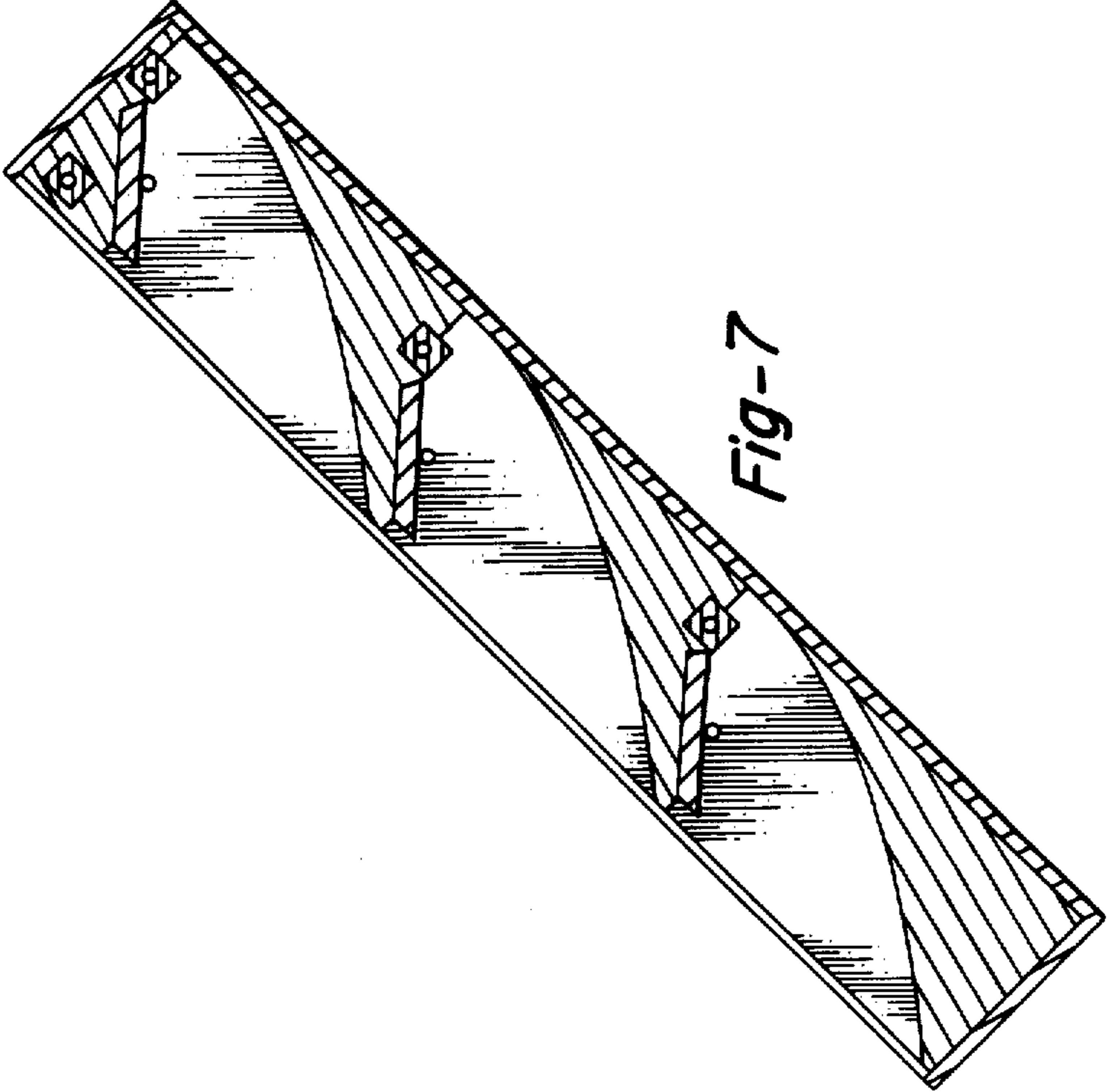
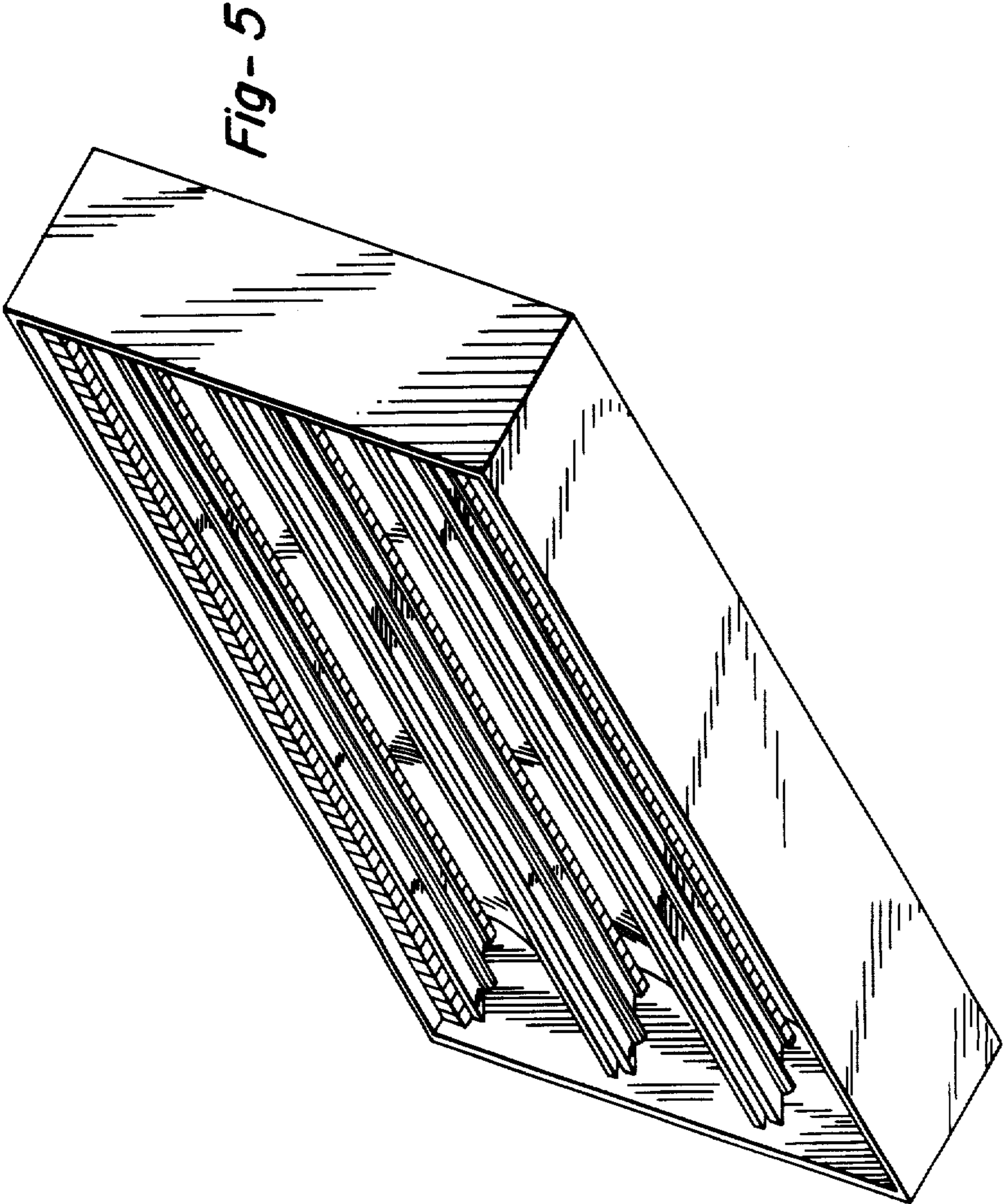


Fig-6