

[54] SLIDE WITH SIDE RAILS

[75] Inventors: Roger D. Gehlbach, White Rock; Zoltan Kitka, Surrey, both of Canada

[73] Assignee: Interplay Design Limited, Surrey, Canada

[**] Term: 14 Years

[21] Appl. No.: 78,614

[22] Filed: Sep. 24, 1979

[51] Int. Cl. D21-03

[52] U.S. Cl. D21/244

[58] Field of Search D21/242-246; 272/56.5, 113

[56] References Cited

U.S. PATENT DOCUMENTS

D. 186,175 9/1959 Ahrens D21/244

Primary Examiner—Melvin B. Feifer
Attorney, Agent, or Firm—Fetherstonhaugh & Co.

[57] CLAIM

The ornamental design for a slide with side rails, substantially as shown.

DESCRIPTION

FIG. 1 is an isometric view of a slide with side rails showing our new design;

FIG. 2 is an elevational view showing one side of the slide;

FIG. 3 is an elevational view showing one end of the slide;

FIG. 4 is an elevational view showing an end of the slide opposite the one end of FIG. 3;

FIG. 5 is an elevational view showing a side of the slide opposite the one side of FIG. 2;

FIG. 6 is a top plan view of the slide; and

FIG. 7 is a bottom plan view of the slide.

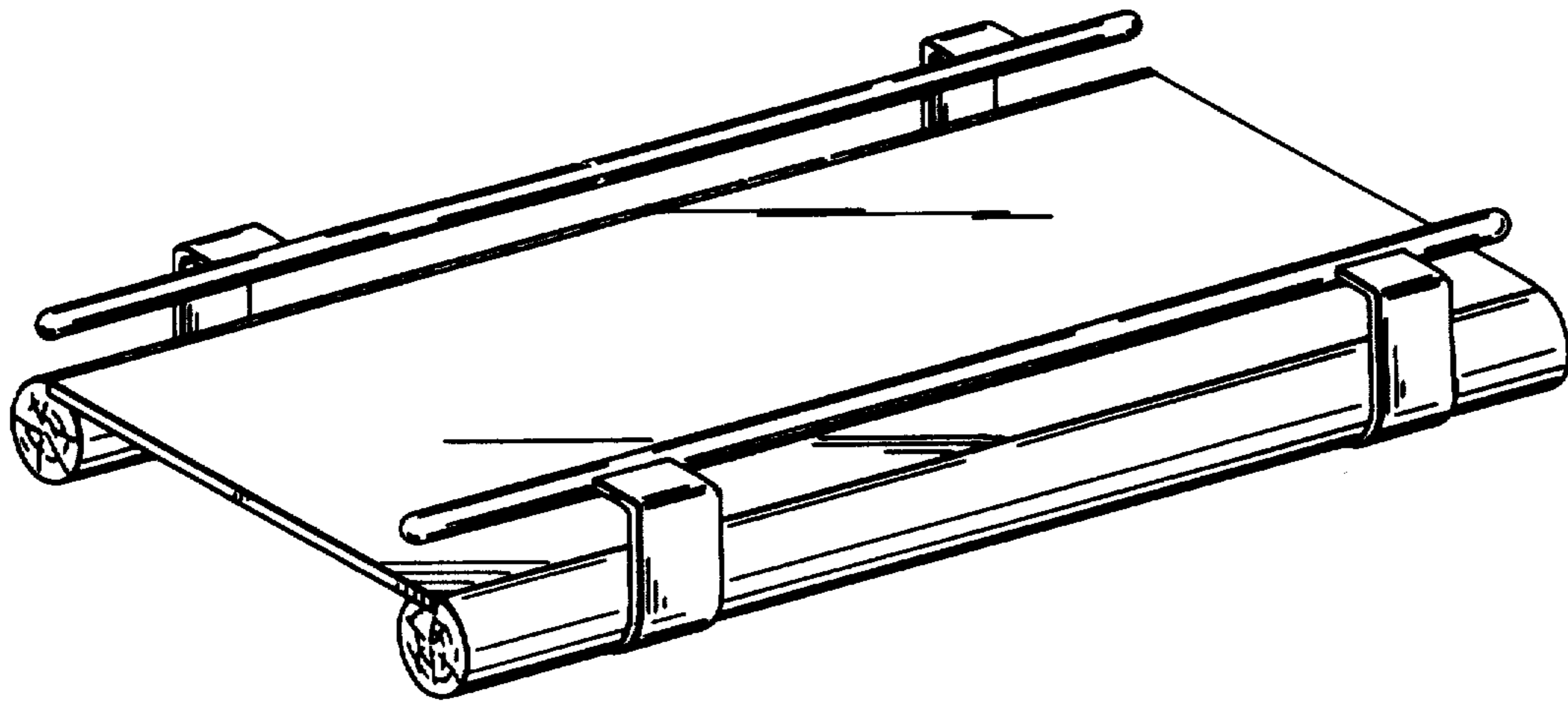


Fig. 1.

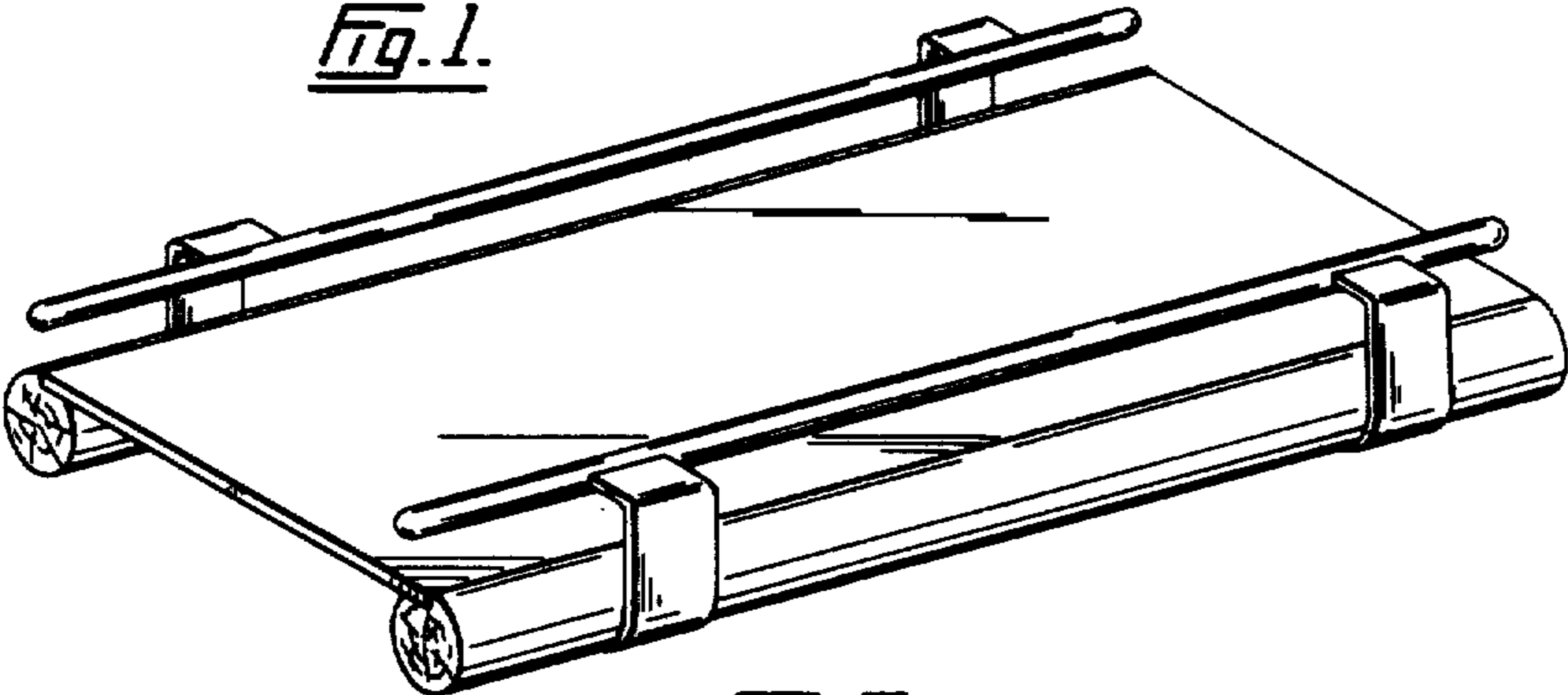


Fig. 2.

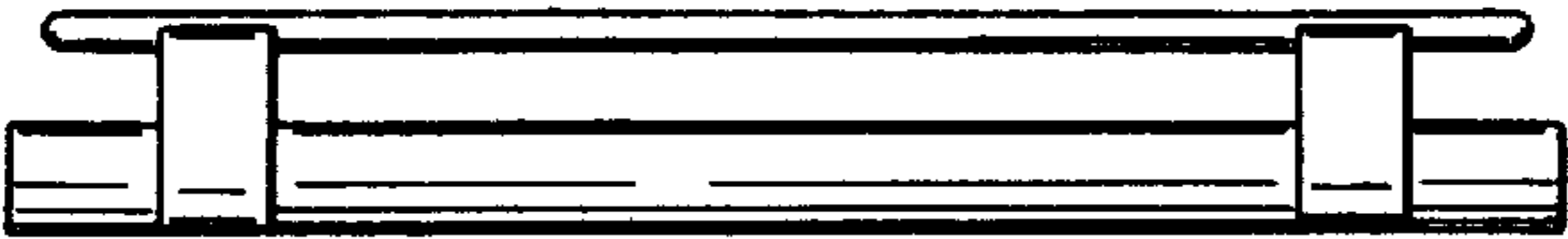


Fig. 3.

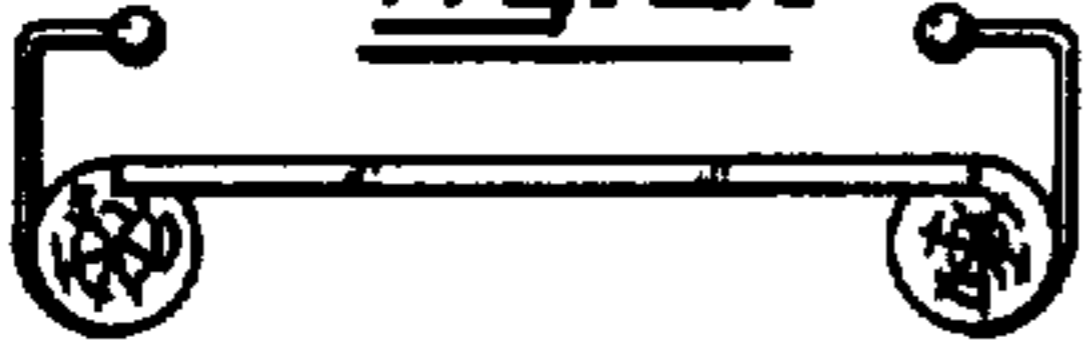


Fig. 4.

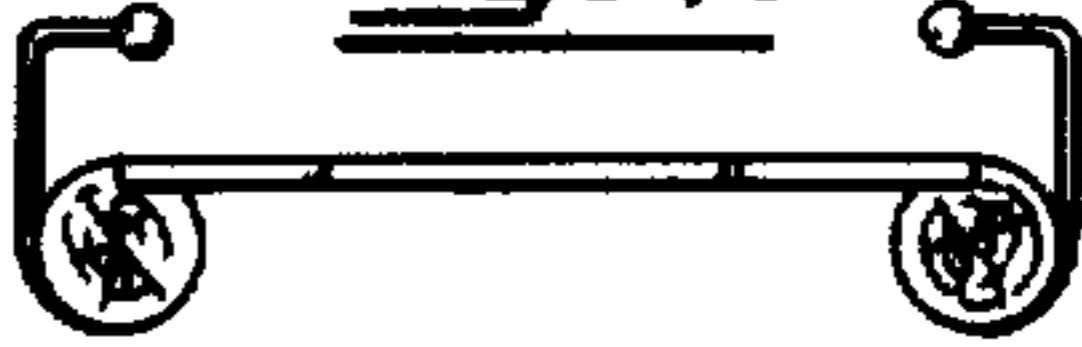


Fig. 5.

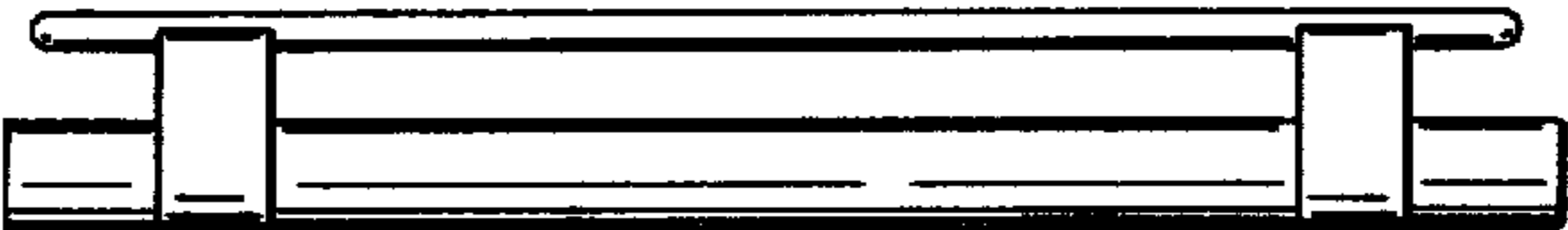


Fig. 6.

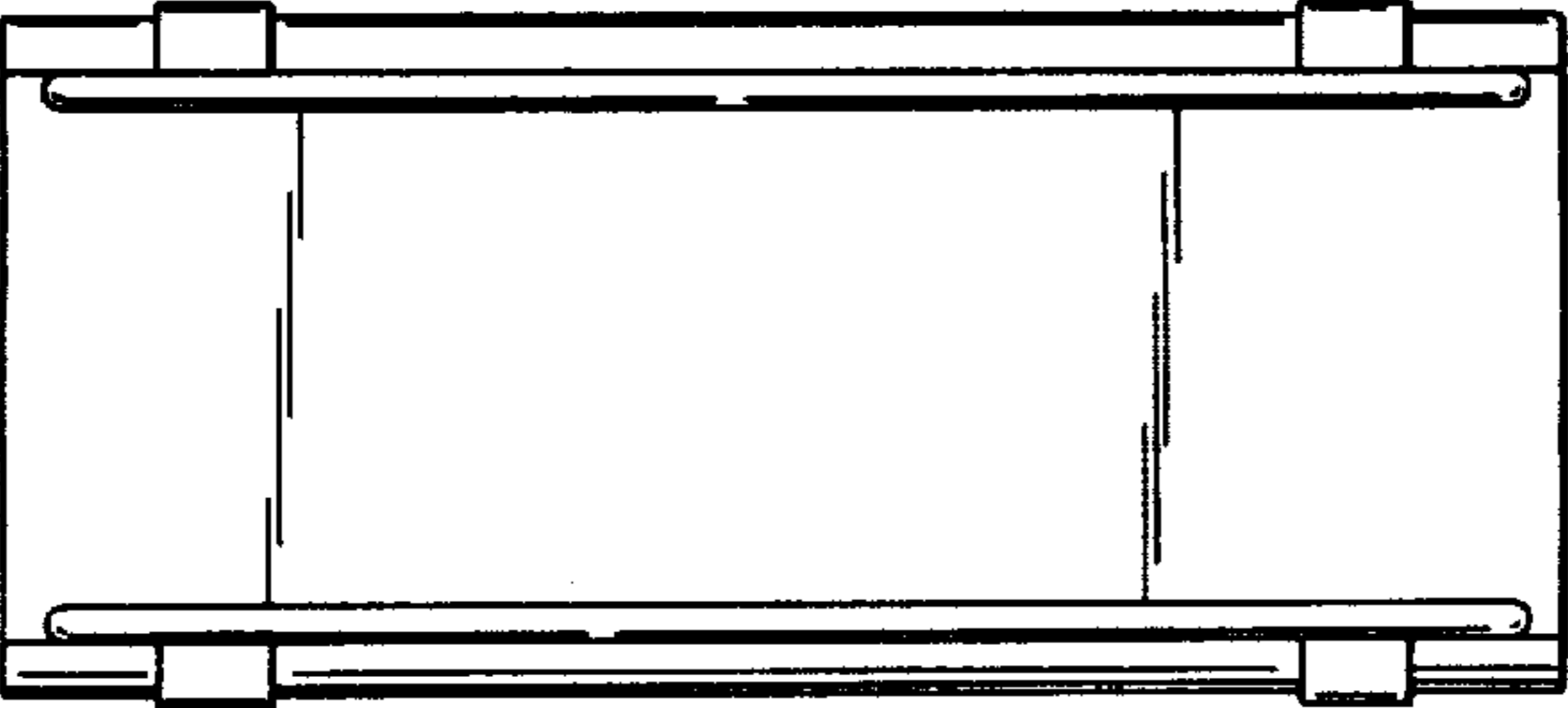


Fig. 7.

