

[54] **WALL MOUNTABLE TELEPHONE REGISTER**

[75] **Inventor:** Hans Halm, Herne, Fed. Rep. of Germany

[73] **Assignee:** Arlac-Werk Heiko Ippen, Hamburg, Fed. Rep. of Germany

[**] **Term:** 14 Years

[21] **Appl. No.:** 35,231

[22] **Filed:** May 2, 1979

[51] **Int. Cl.** D19-02

[52] **U.S. Cl.** D19/76

[58] **Field of Search** D19/2, 21, 25, 75, 76,
D19/86-89, 92; 40/371, 372, 378, 389, 405;
281/15 B, 45; D14/56

[56] **References Cited**

U.S. PATENT DOCUMENTS

D. 232,160	1/1975	Kif	D19/76
D. 234,160	1/1975	Mori	D19/76
D. 249,047	8/1978	Greif	D19/87
D. 252,465	7/1979	Halm	D19/76

Primary Examiner—George P. Word
Attorney, Agent, or Firm—Toren, McGeady and Stanger

[57] **CLAIM**

The ornamental design for a wall mountable telephone register, as shown and described.

DESCRIPTION

FIG. 1 is a perspective view of a wall mountable telephone register showing my new design;
FIG. 2 is a bottom plan view thereof;
FIG. 3 is a front elevational view thereof;
FIG. 4 is a right side elevational view thereof;
FIG. 5 is a top plan view thereof;
FIG. 6 is a rear elevational view thereof; and
FIG. 7 is a front elevational view thereof with a card in a lowered position.

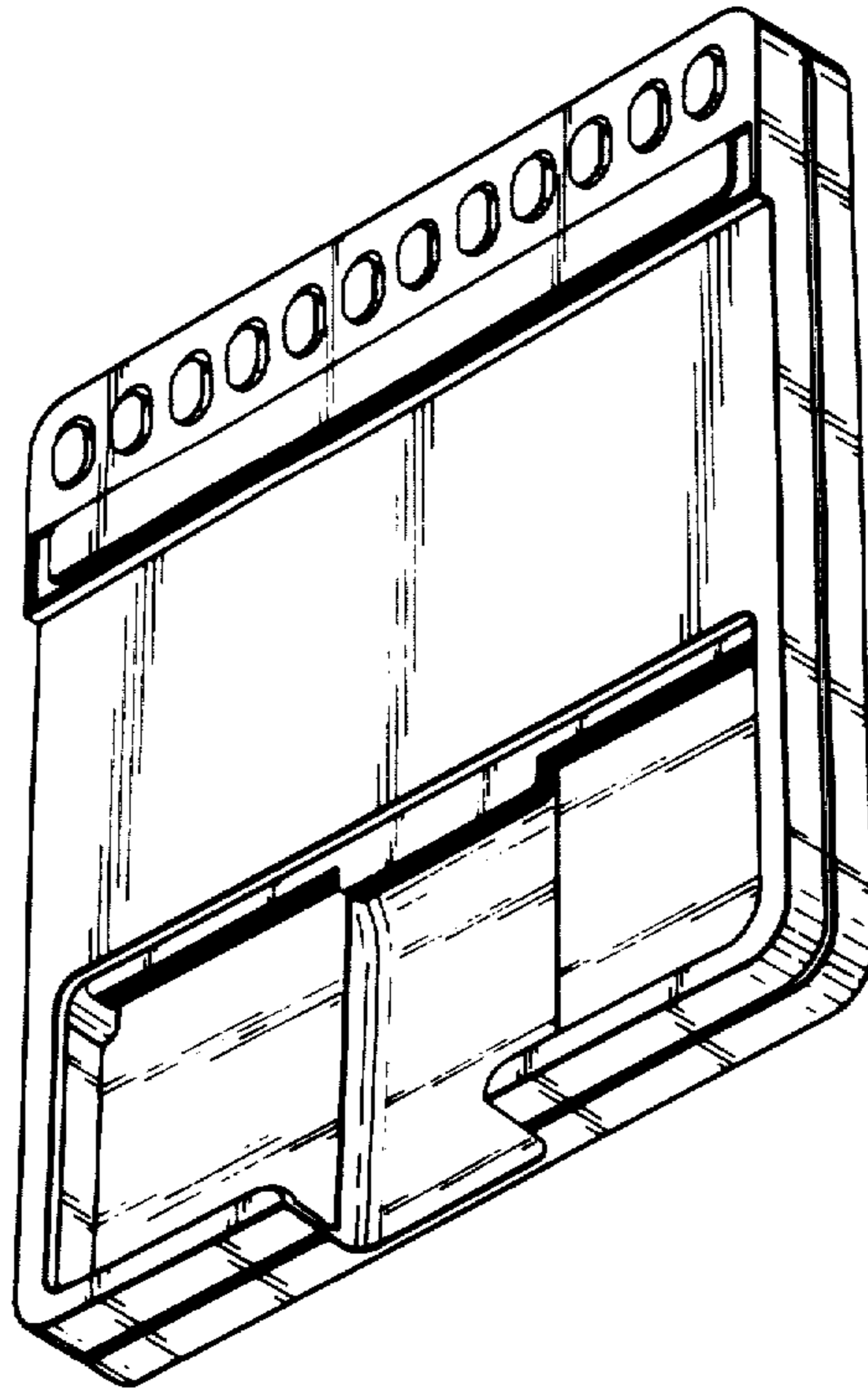


FIG. 1

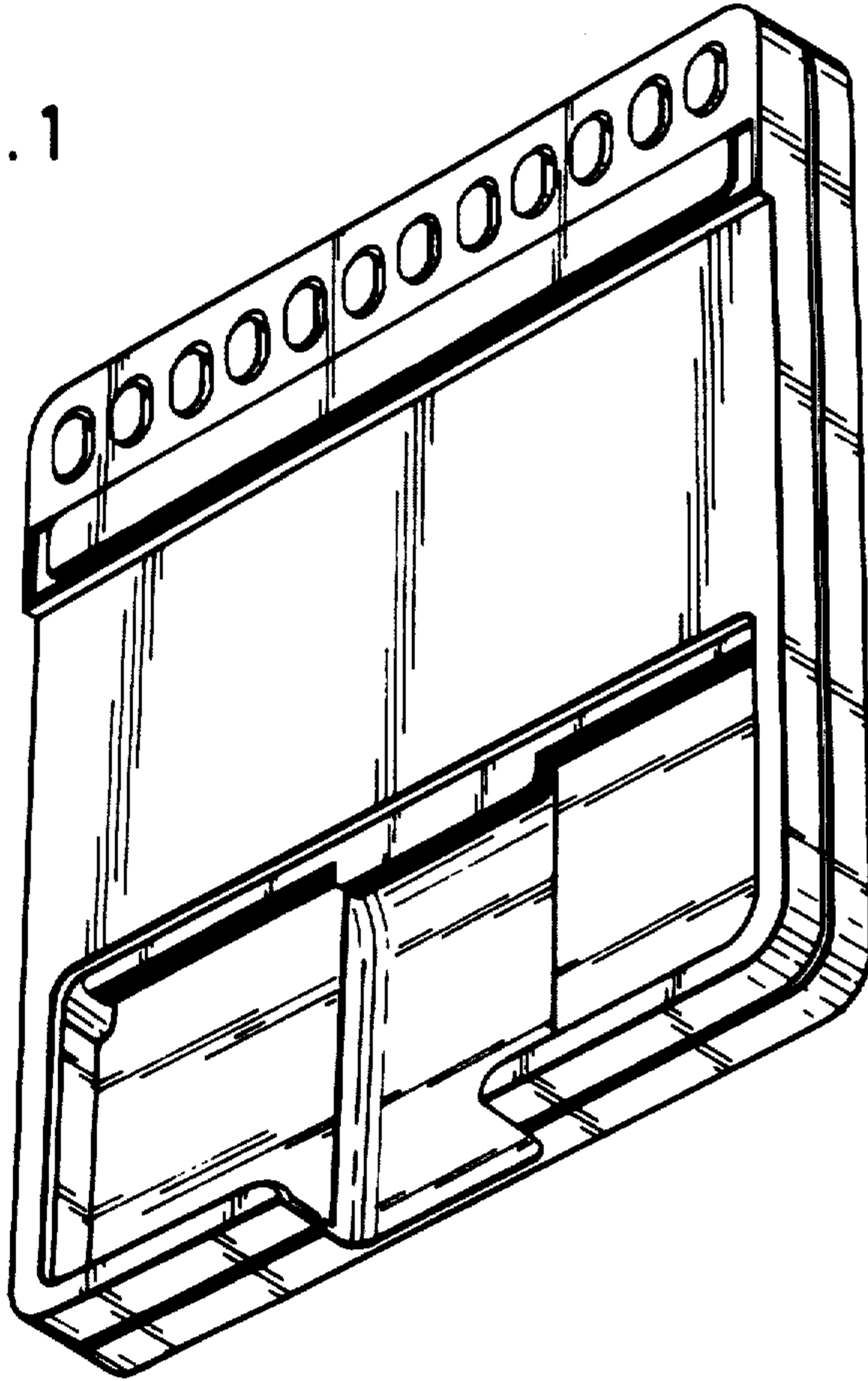


FIG. 2



FIG. 3

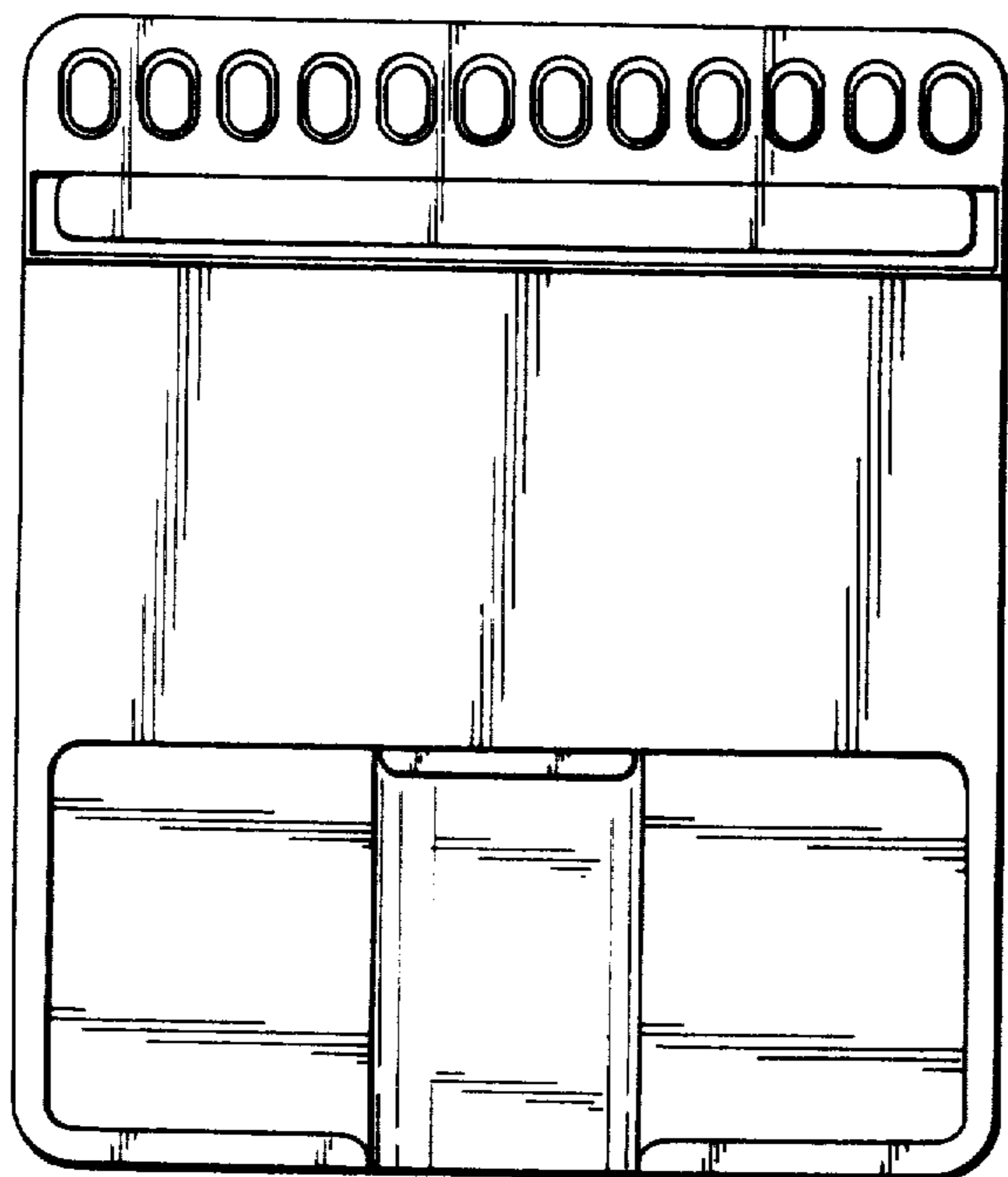


FIG. 4



FIG. 5

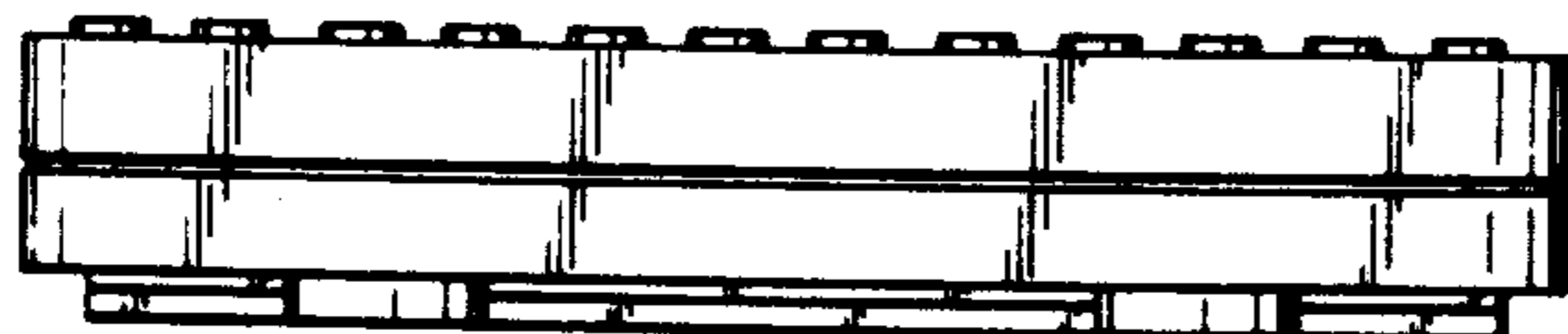


FIG. 6

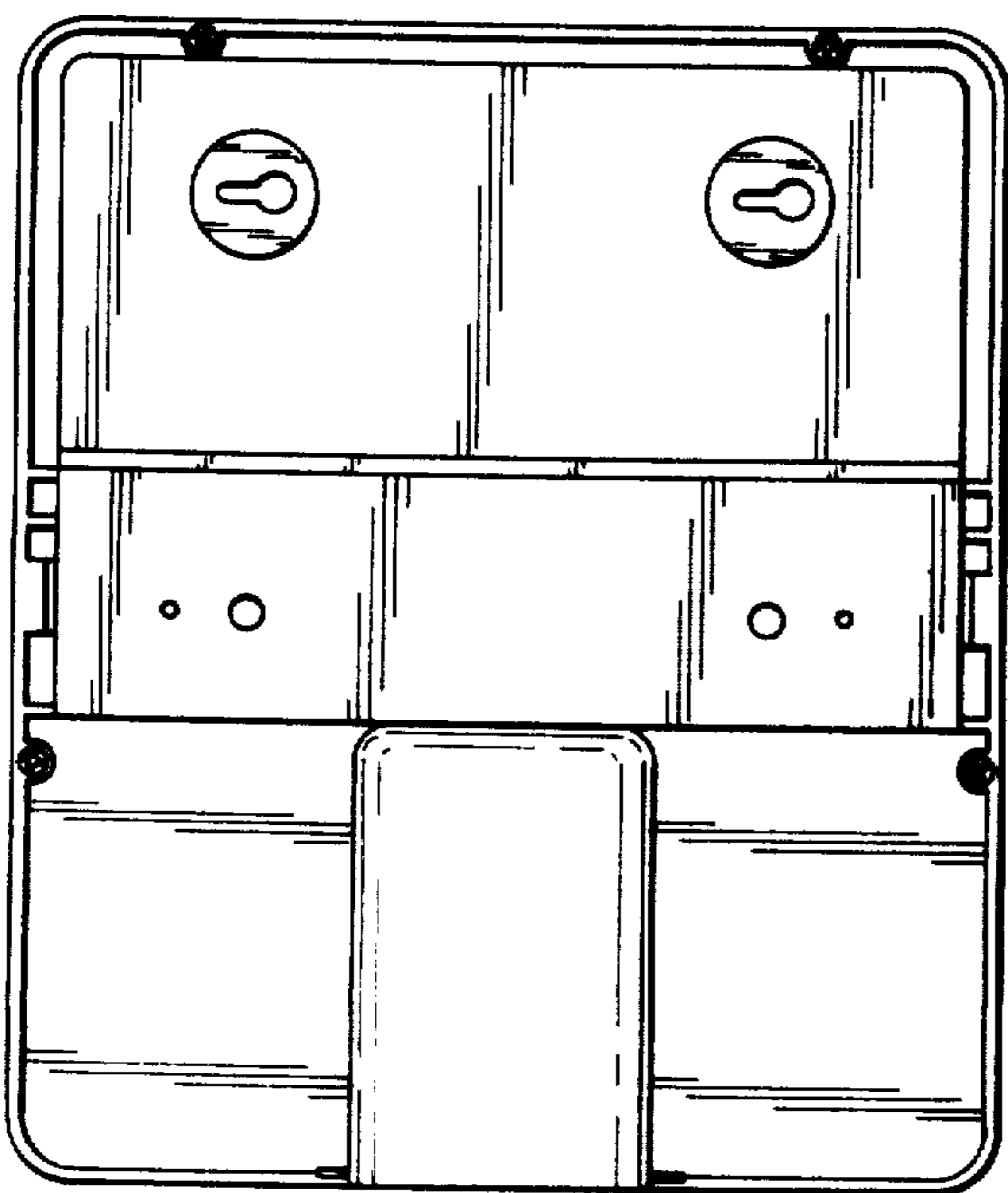


FIG. 7

