

[54] MINIATURE SEWING MACHINE

[76] Inventor: John S. Doyel, 404 W. 20th St., New York, N.Y. 10011

[**] Term: 14 Years

[21] Appl. No.: 12,228

[22] Filed: Feb. 14, 1979

[51] Int. Cl. D15-06

[52] U.S. Cl. D15/69

[58] Field of Search D15/66, 68, 69, 70; D21/122; 112/169

[56] References Cited
U.S. PATENT DOCUMENTS

D. 244,399	5/1977	Chiu	D15/69
3,168,849	2/1965	Zilg et al.	112/169
3,837,306	9/1974	Doyel	112/169

Primary Examiner—Joel Stearman

Assistant Examiner—Carmen H. Vales
Attorney, Agent, or Firm—Cooper, Dunham, Clark,
Griffin & Moran

[57] CLAIM

The ornamental design for a miniature sewing machine, as shown and described.

DESCRIPTION

FIG. 1 is a top plan view of a miniature sewing machine showing my new design;
FIG. 2 is a front elevational view thereof;
FIG. 3 is a rear elevational view thereof, the cord and foot switch being omitted for convenience of illustration;
FIG. 4 is a bottom plan view thereof, the cord and foot switch being omitted for convenience of illustration;
FIG. 5 is an end elevational view taken from the left of FIG. 2; and
FIG. 6 is an end elevational view taken from the right of FIG. 2, the cord and foot switch being omitted for convenience of illustration.

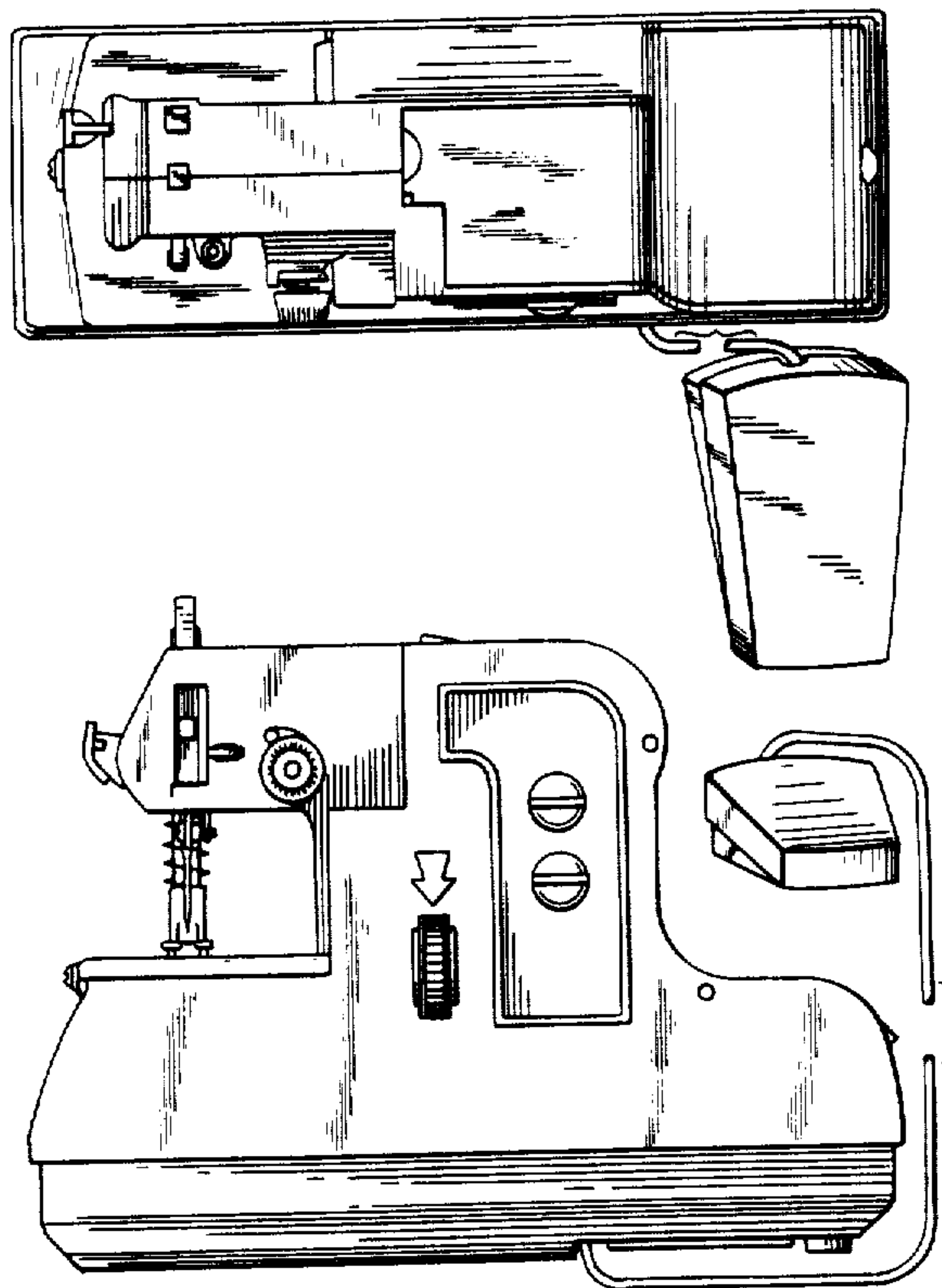


Fig. 1.

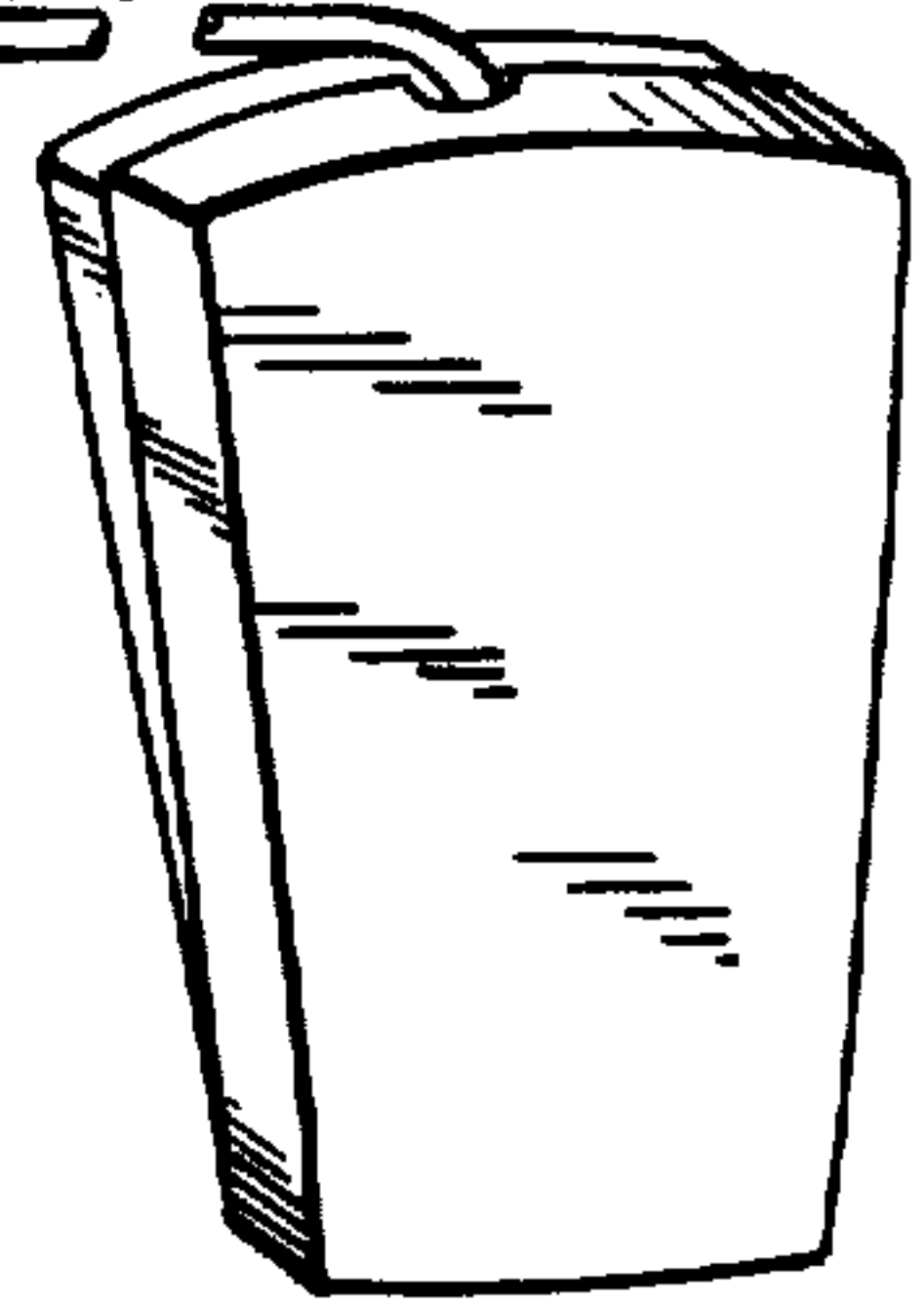
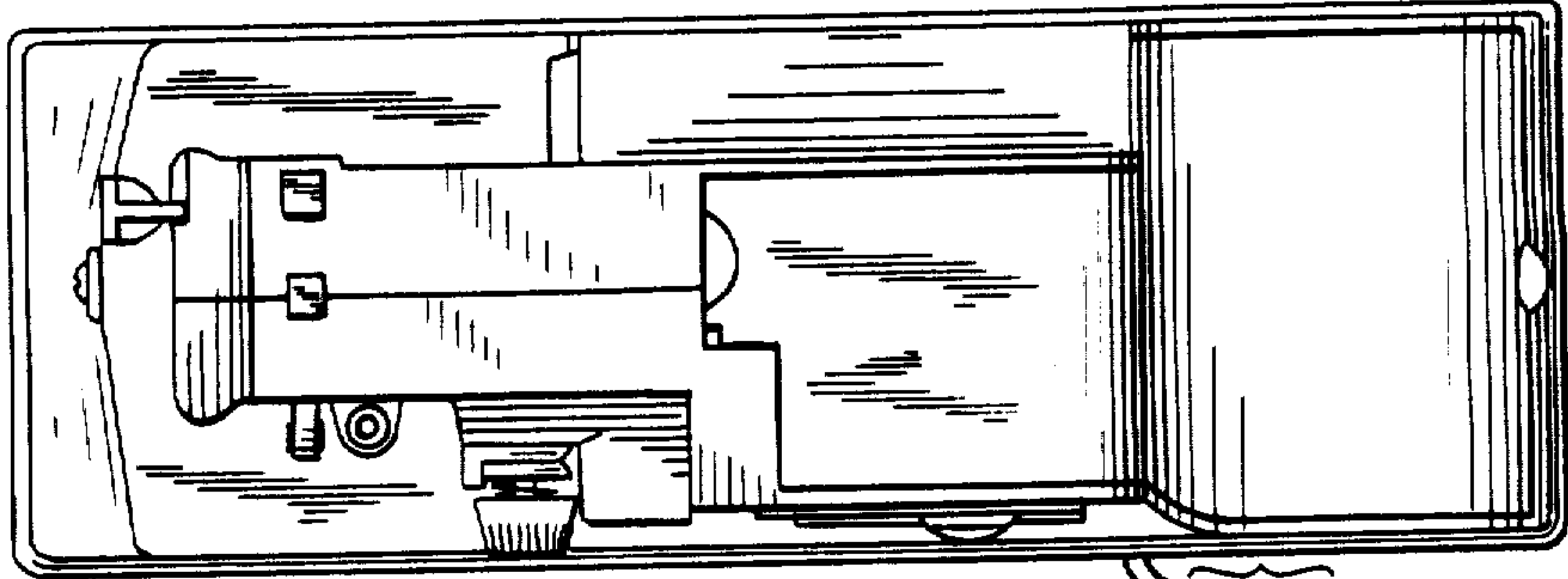


Fig. 2.

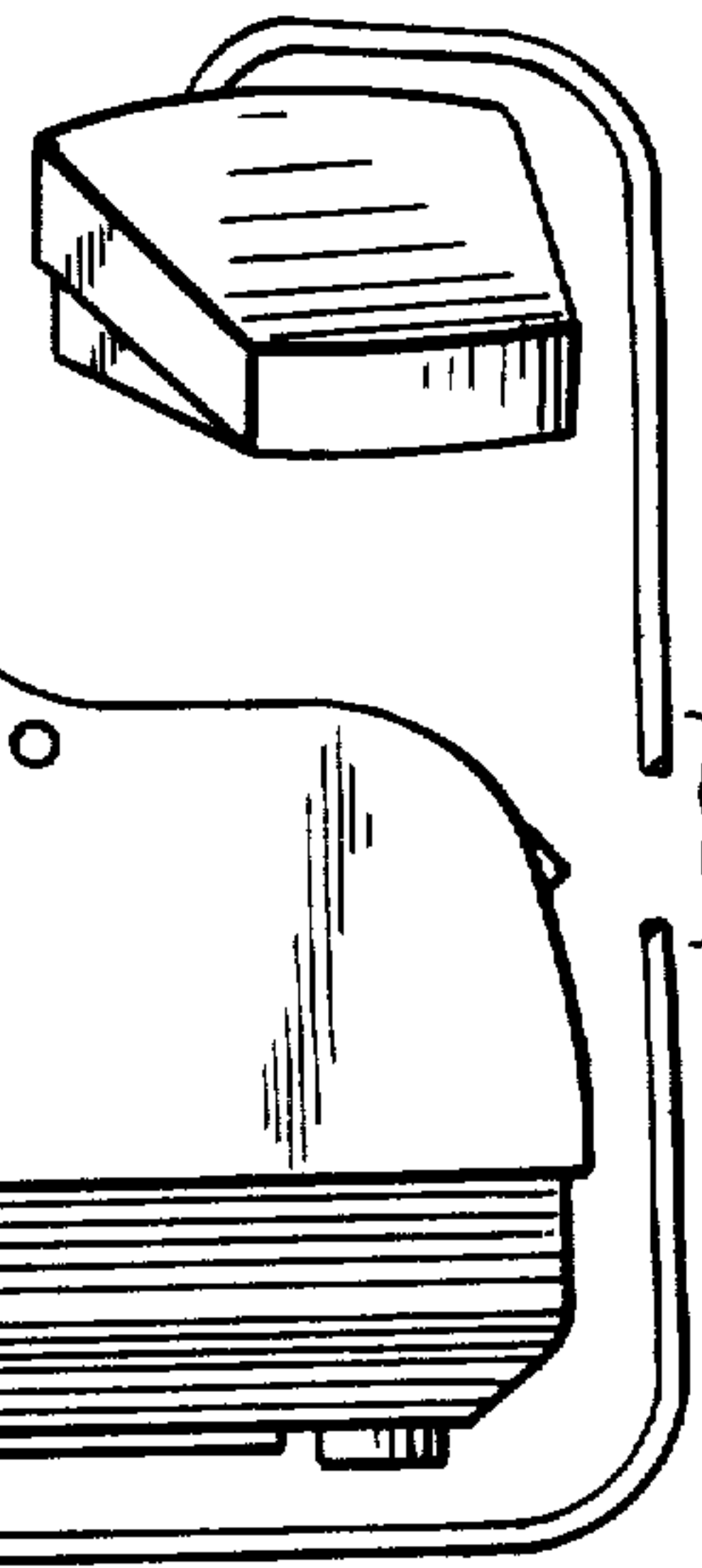
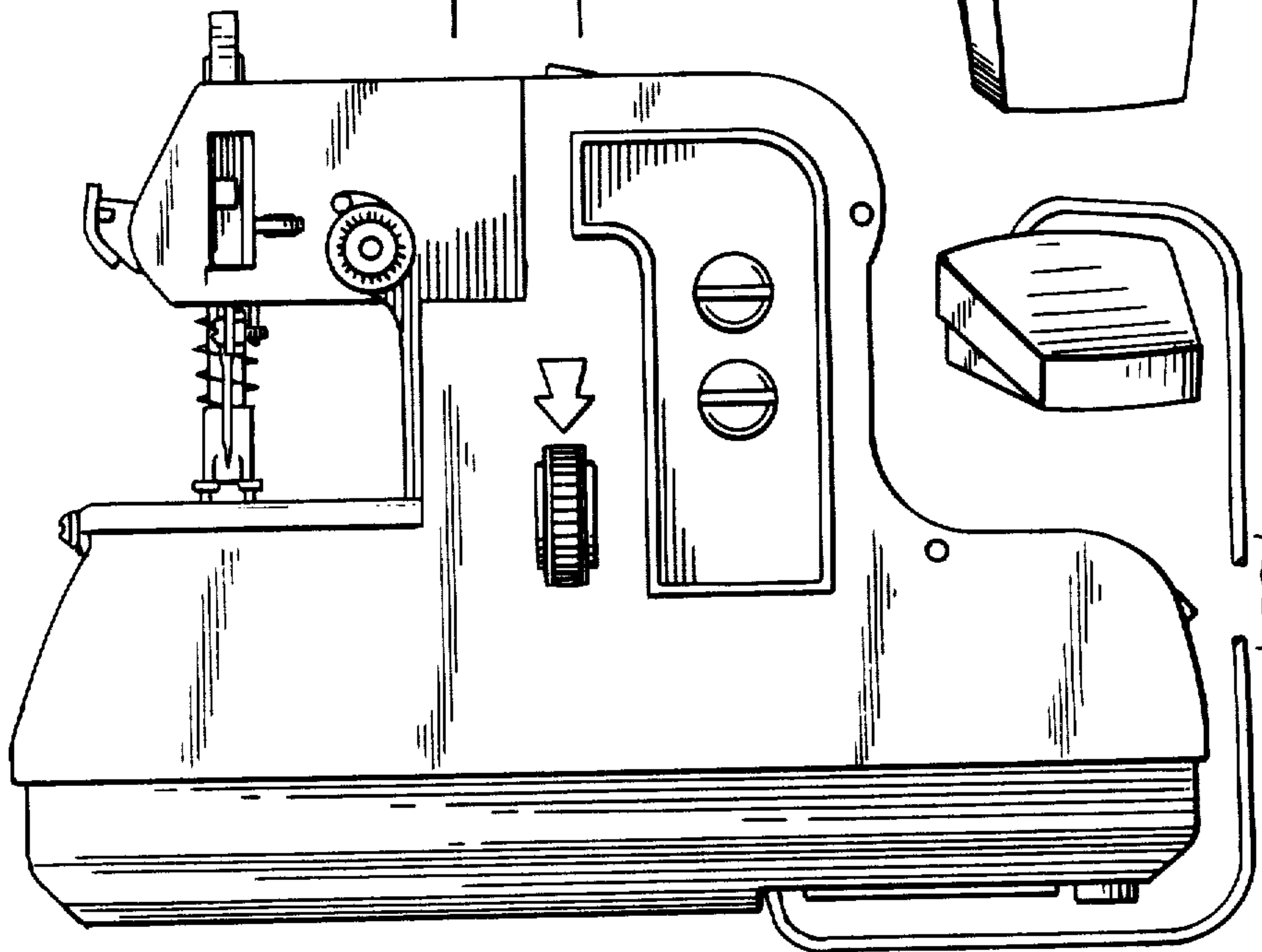


Fig. 3.

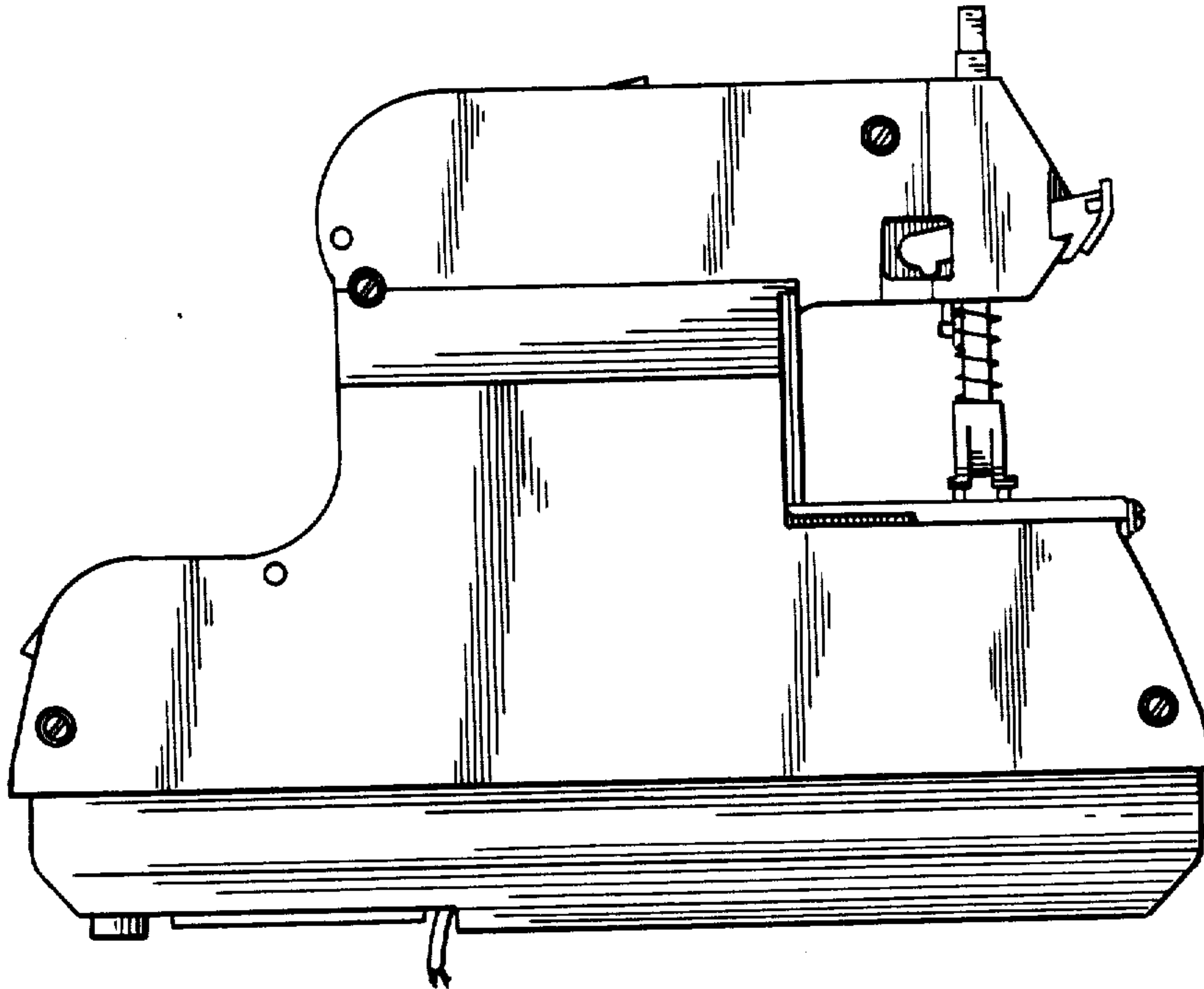


Fig. 4.

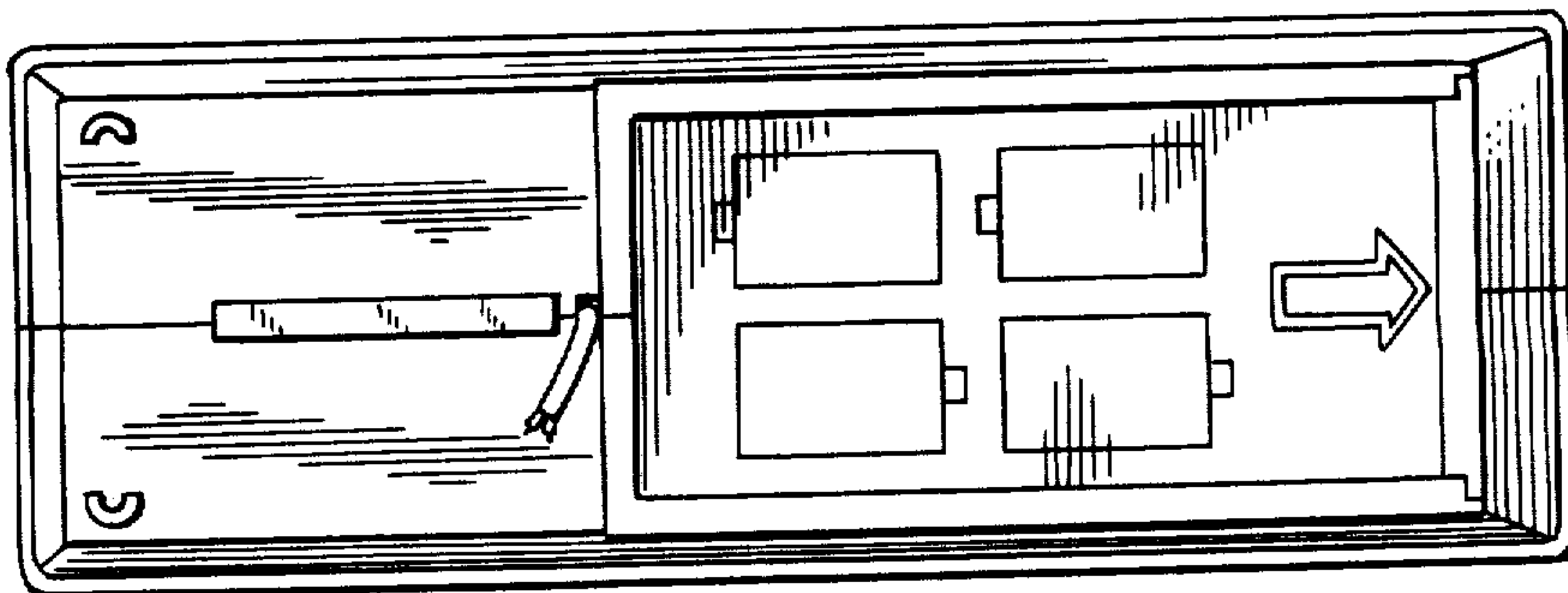


Fig. 5.

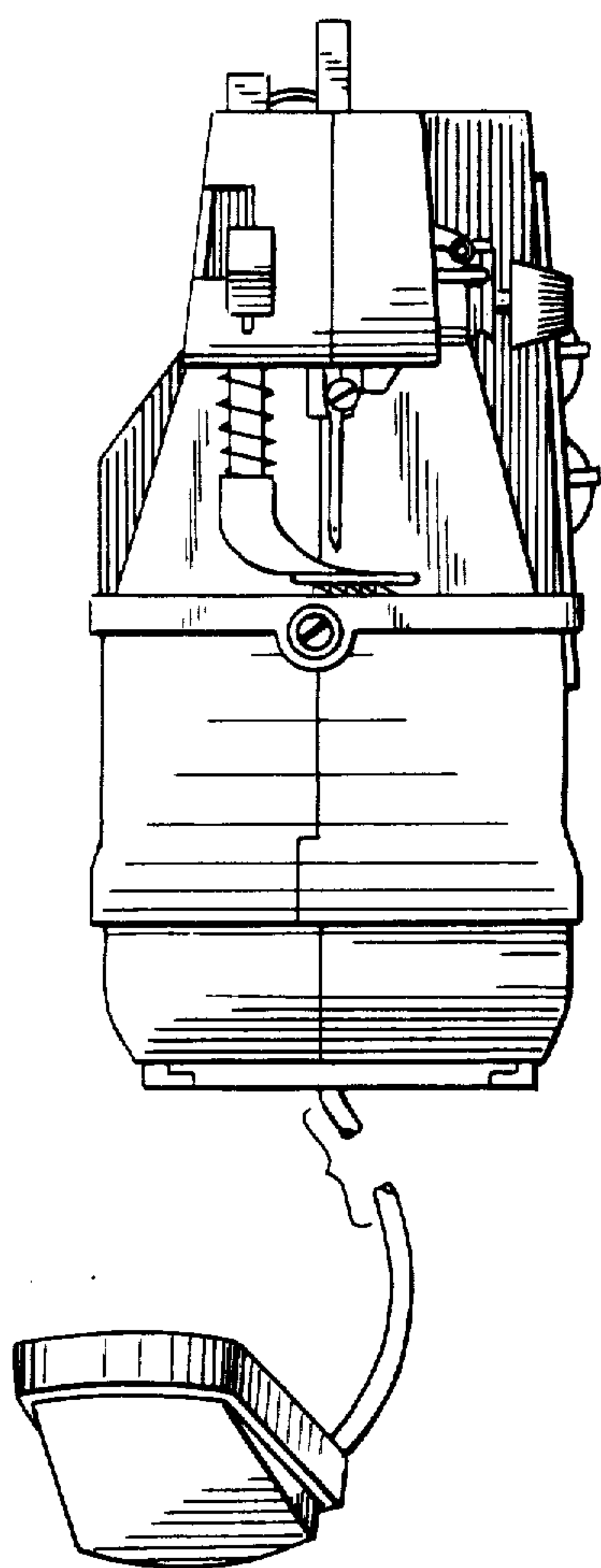


Fig. 6.

