

[54] PROJECTION TELEVISION CABINET

[76] Inventor: Eugene B. Sergio, Jr., 5391 Westerville Rd., Columbus, Ohio 43229

[**] Term: 14 Years

[21] Appl. No.: 963,971

[22] Filed: Nov. 27, 1978

[51] Int. Cl. D14-03

[52] U.S. Cl. D14/79; D14/83

[58] Field of Search D14/1, 5, 14, 18, 20, D14/21, 77, 79, 82, 83, 99, 84; D6/167, 158, 174, 181; 353/63; 358/237, 238, 250, 254

[56] References Cited

U.S. PATENT DOCUMENTS

- D. 235,833 7/1975 McRae D6/167
- D. 240,986 8/1976 Young D6/167 X
- D. 247,176 2/1978 Girson D14/83 X

3,061,394 10/1962 Whetstone D6/167

OTHER PUBLICATIONS

Home Furnishings Daily, 4-30-75, front cover, Betamax Photo, lower item.

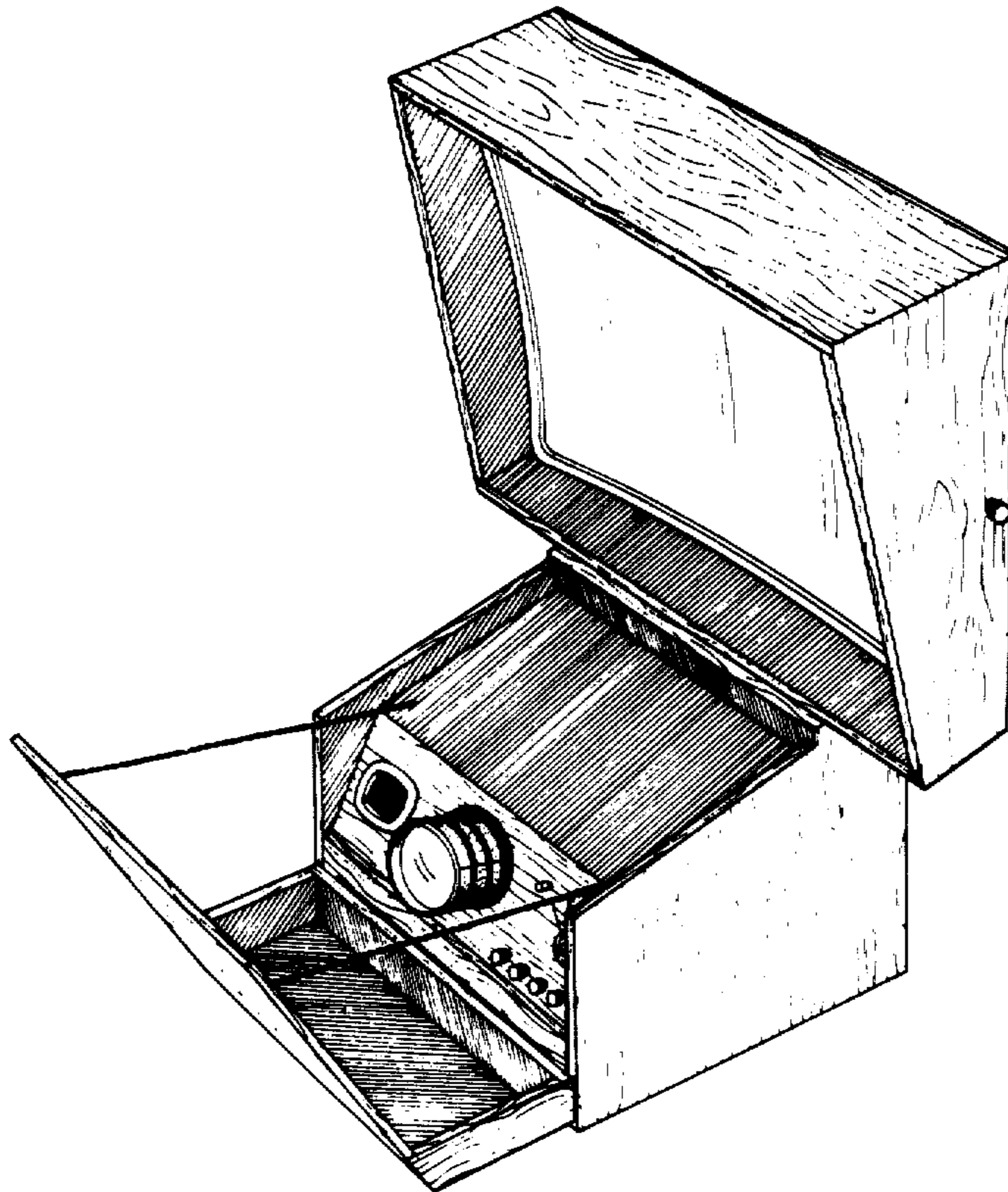
Primary Examiner—Jane E. Corrigan
Attorney, Agent, or Firm—Frank H. Foster

[57] CLAIM

The ornamental design for a projection television cabinet, as shown and described.

DESCRIPTION

FIG. 1 is a front, top and right side perspective view of a projection television cabinet showing my new design; FIG. 2 is a rear, top and right perspective view; FIG. 3 is a right side elevational view, the left side being a mirror image thereof; FIG. 4 is a view similar to FIG. 1 of the cabinet with the hinged cover in closed condition; and FIG. 5 is a front elevational view with said cover removed.



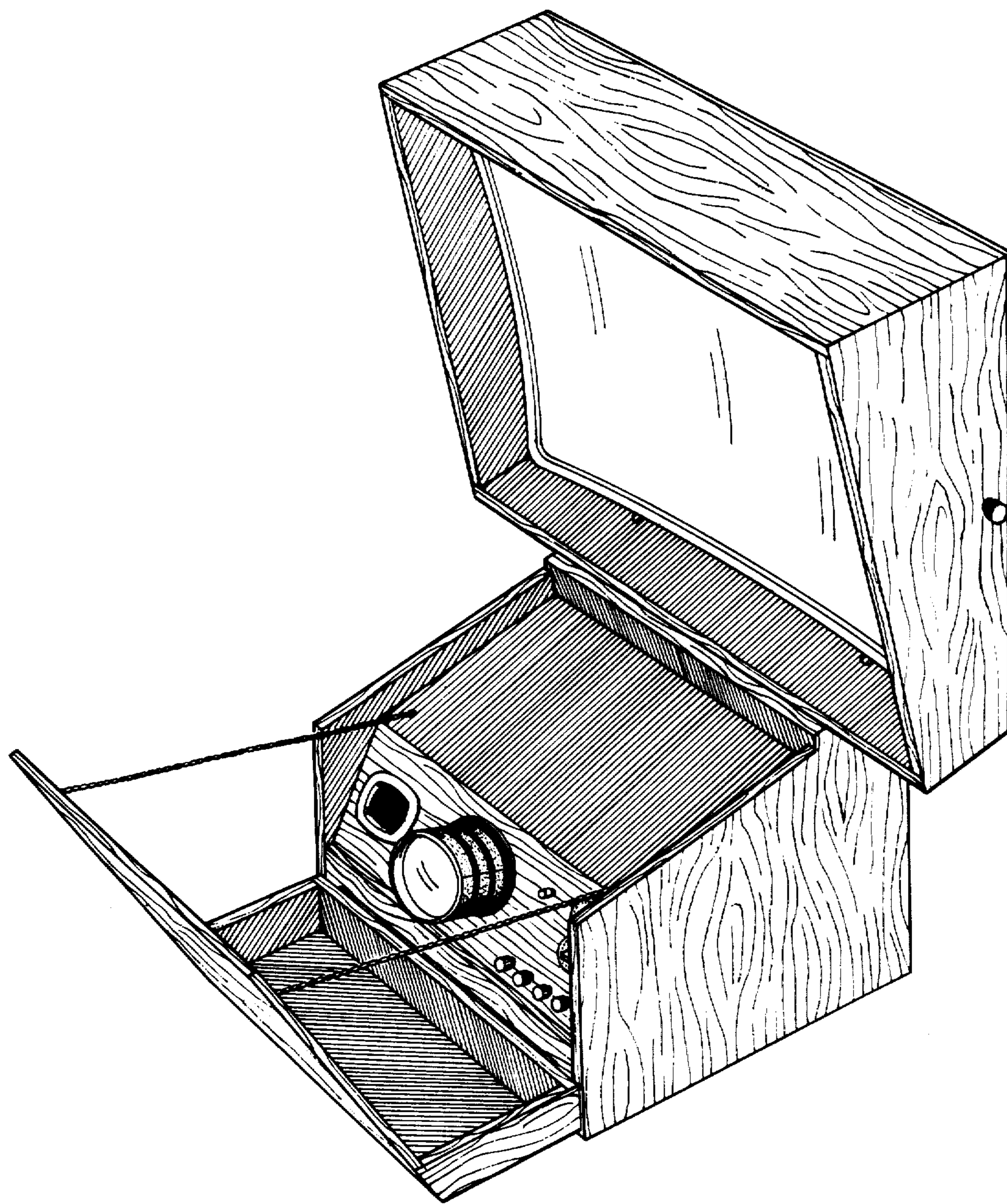


Fig. 1

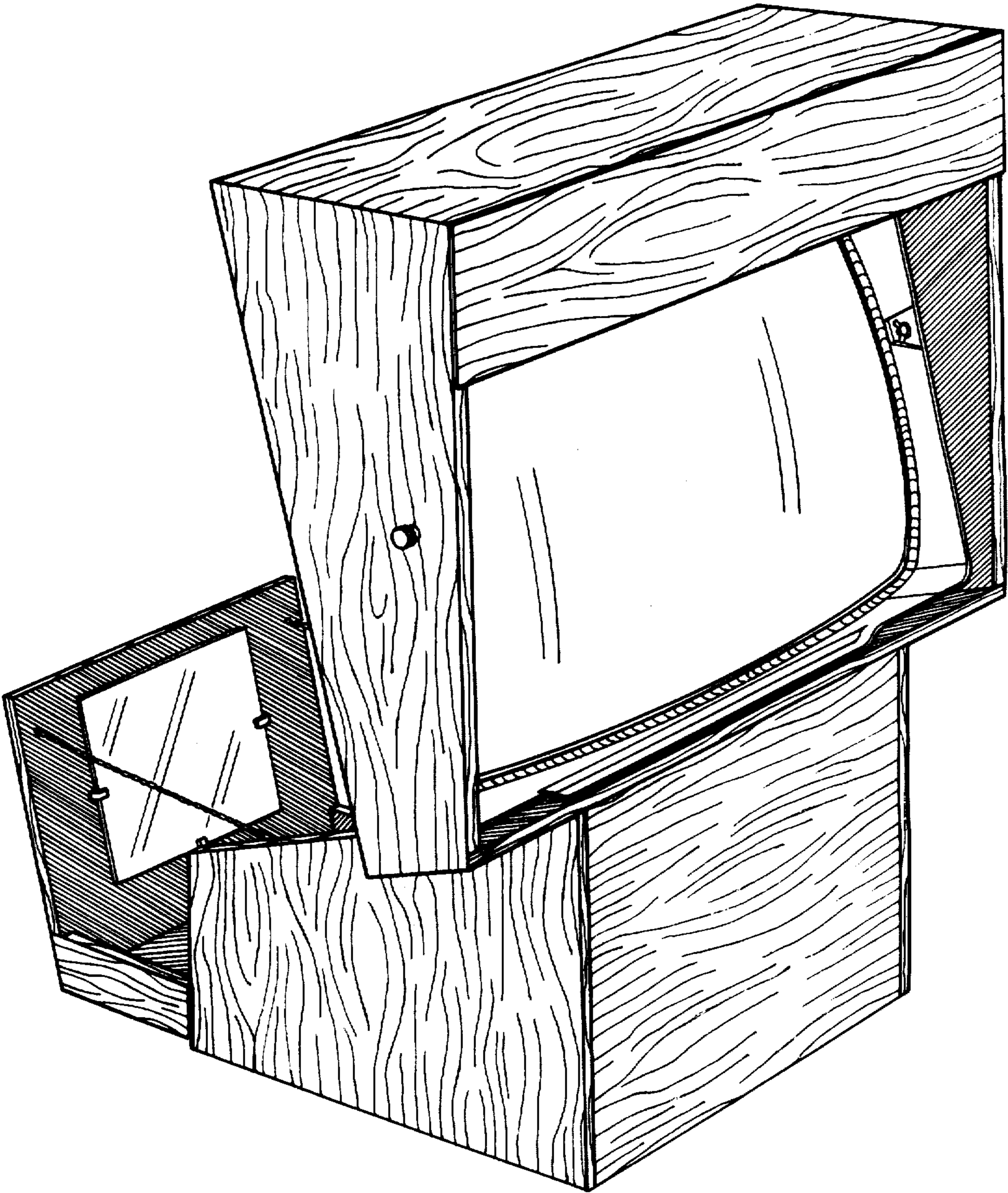


Fig. 2

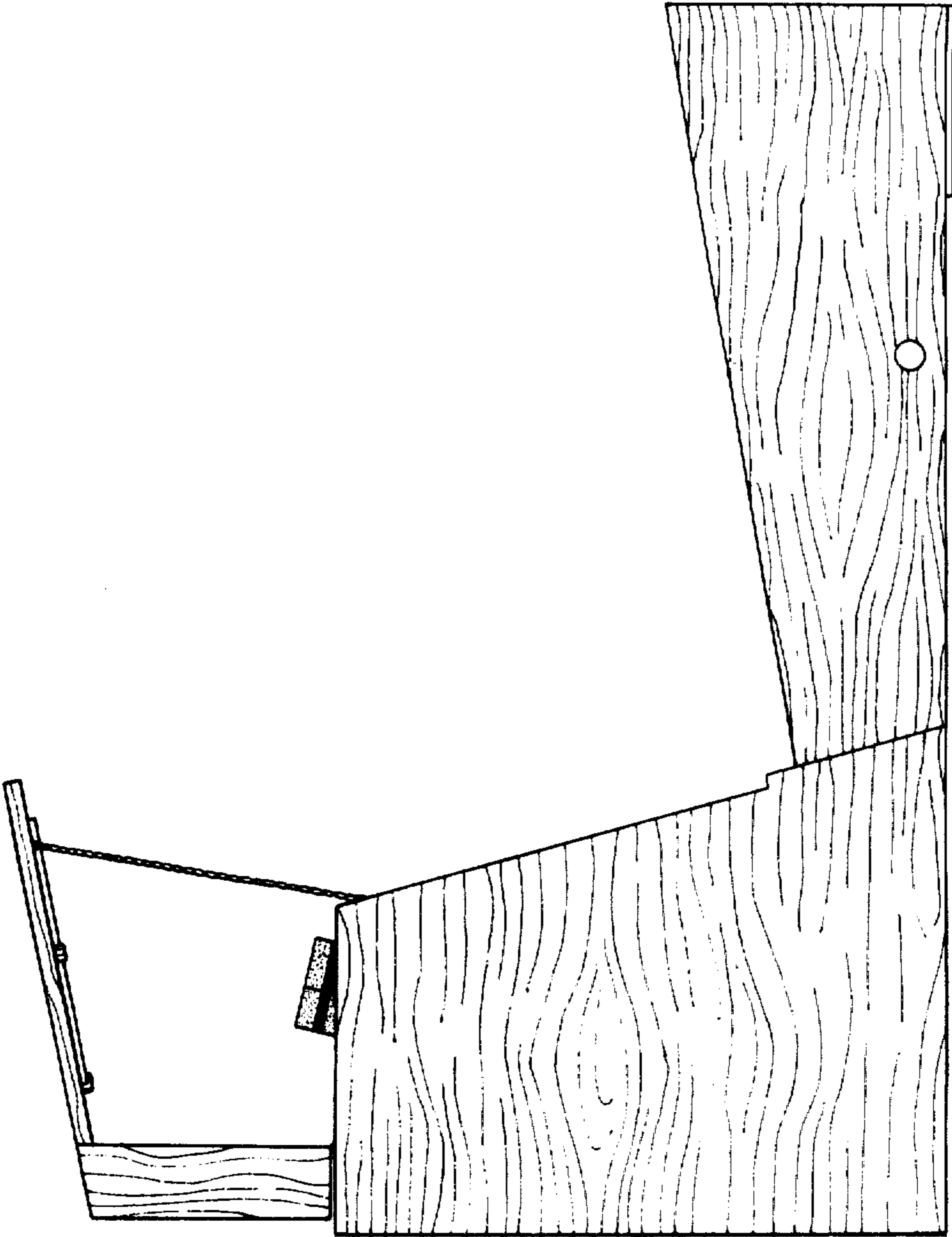


Fig. 3

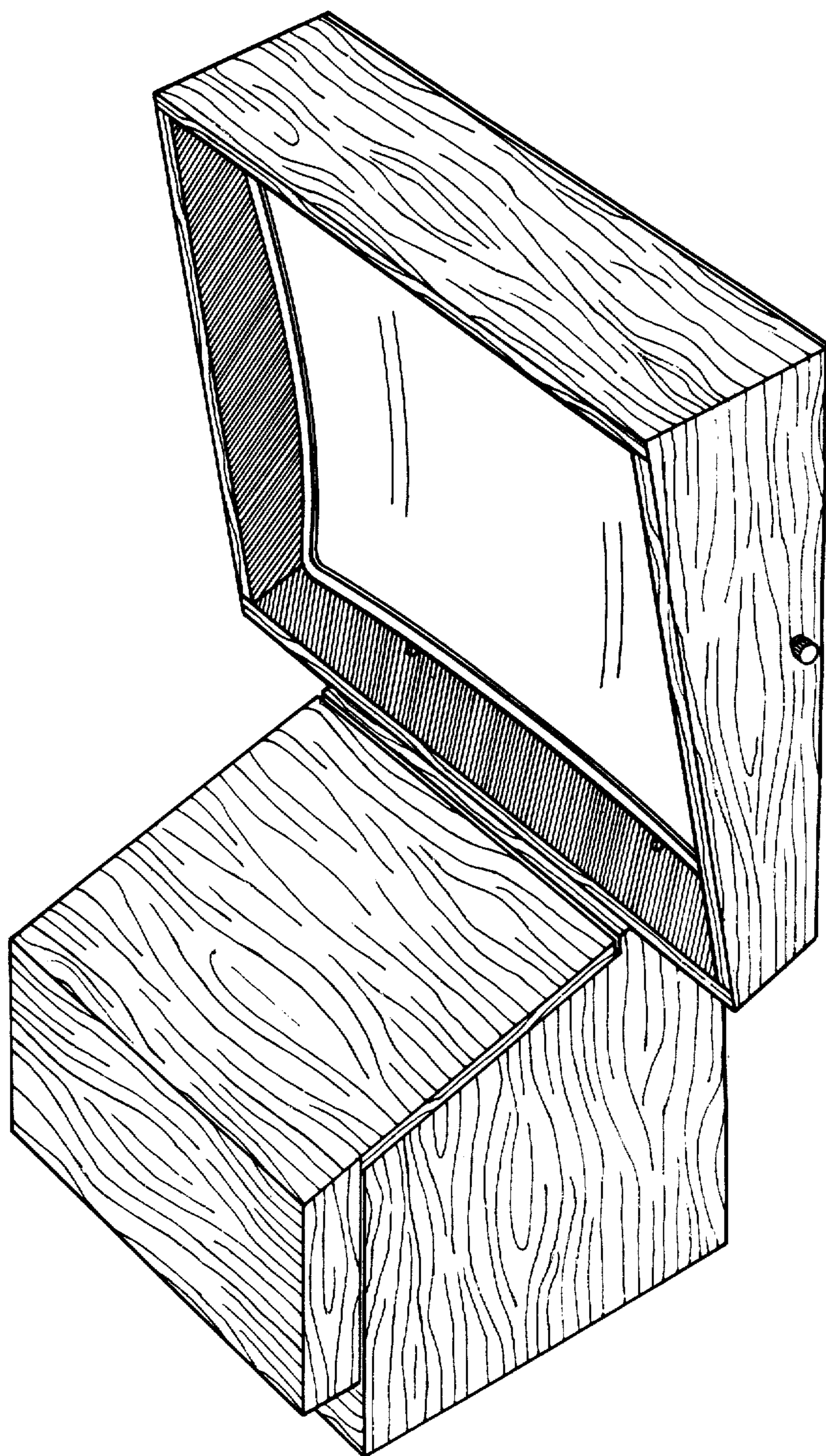


Fig. 4

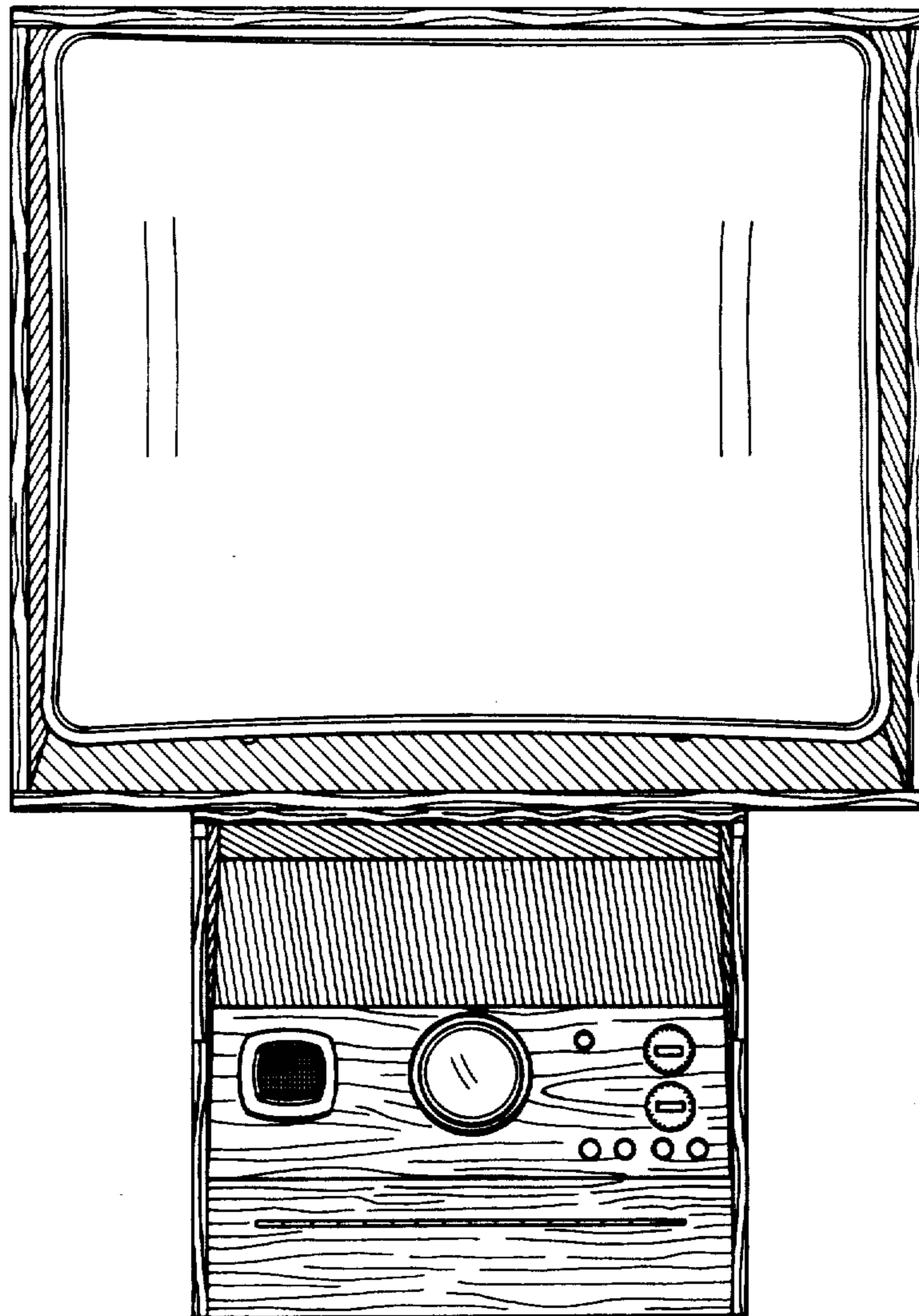


Fig. 5