

[54] POWERED COLLATOR

[75] Inventors: Elsie J. Loos, Elmhurst, N.Y.; Raymond H. Van Wagener, Darien, Conn.; Paul B. Sweeney, Jr., Syracuse; Arthur J. Pulos, Fayetteville, both of N.Y.

[73] Assignee: Swingline, Inc., Long Island City, N.Y.

[**] Term: 14 Years

[21] Appl. No.: 904,633

[22] Filed: May 10, 1978

[51] Int. Cl. D14-02
[52] U.S. Cl. D14/110; D16/32
[58] Field of Search D16/32; D14/48; D19/92; 270/52, 58

[56]

References Cited

U.S. PATENT DOCUMENTS

2,885,203	5/1959	Kalish	270/58
3,664,656	5/1972	Ryland	270/58
4,068,836	1/1978	Dimopoulos	270/58
4,105,196	8/1978	Van Wagener et al.	270/58

OTHER PUBLICATIONS

Industrial Design-Dec. 1958-p. 110-Thomas Collator.
The Office-Nov. 1976-p. 70-Gather-Ease Collator.

Primary Examiner-Catherine E. Kemper
Attorney, Agent, or Firm-Pennie & Edmonds

[57]

CLAIM

The ornamental design for a powered collator, substantially as shown and described.

DESCRIPTION

FIG. 1 is a perspective view of a powered collator showing our new design;
FIG. 2 is a front elevational view thereof;
FIG. 3 is a right side elevational view thereof;
FIG. 4 is a rear elevational view thereof;
FIG. 5 is a top view thereof; and
FIG. 6 is a bottom view thereof.

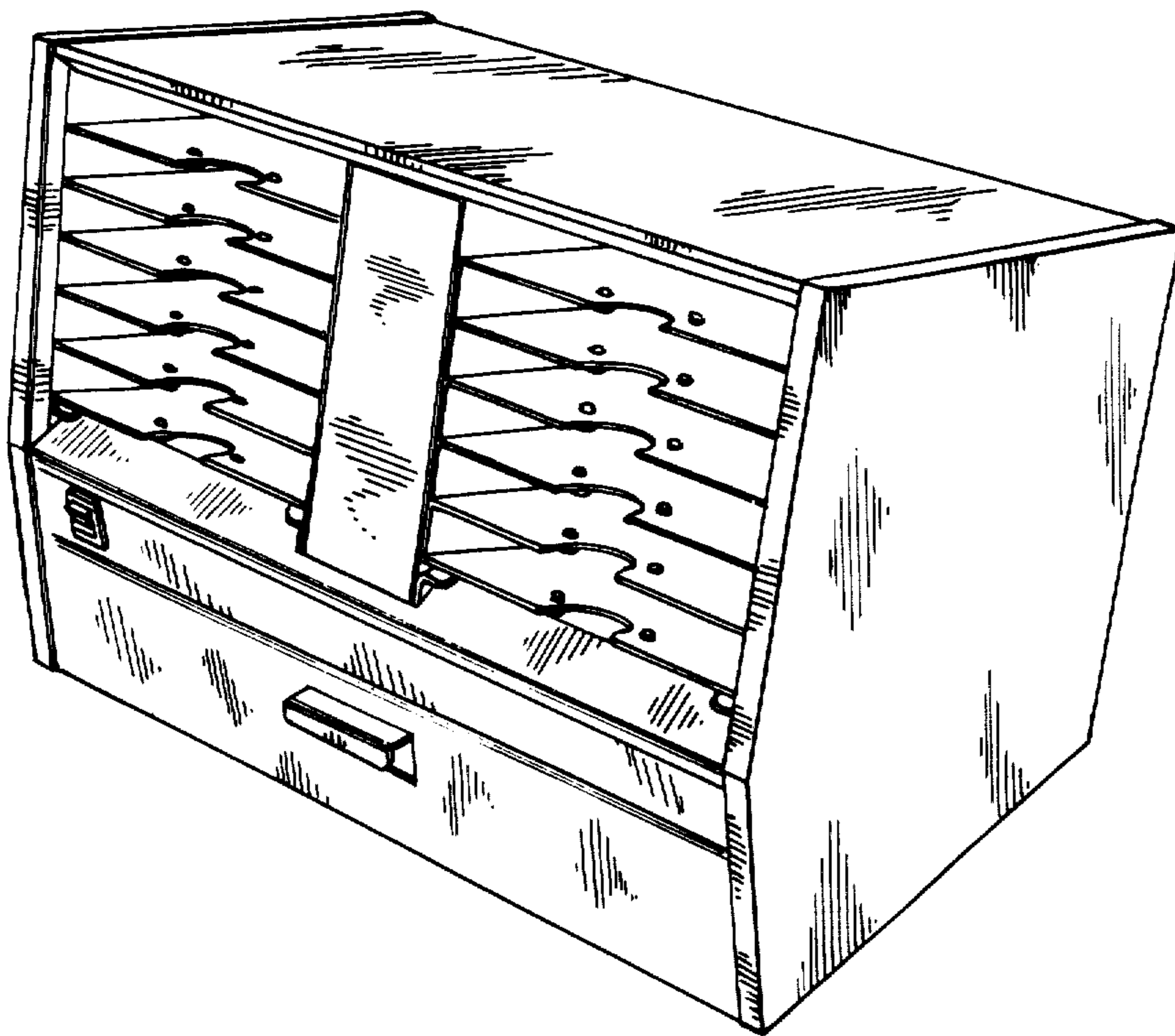


FIG. 1

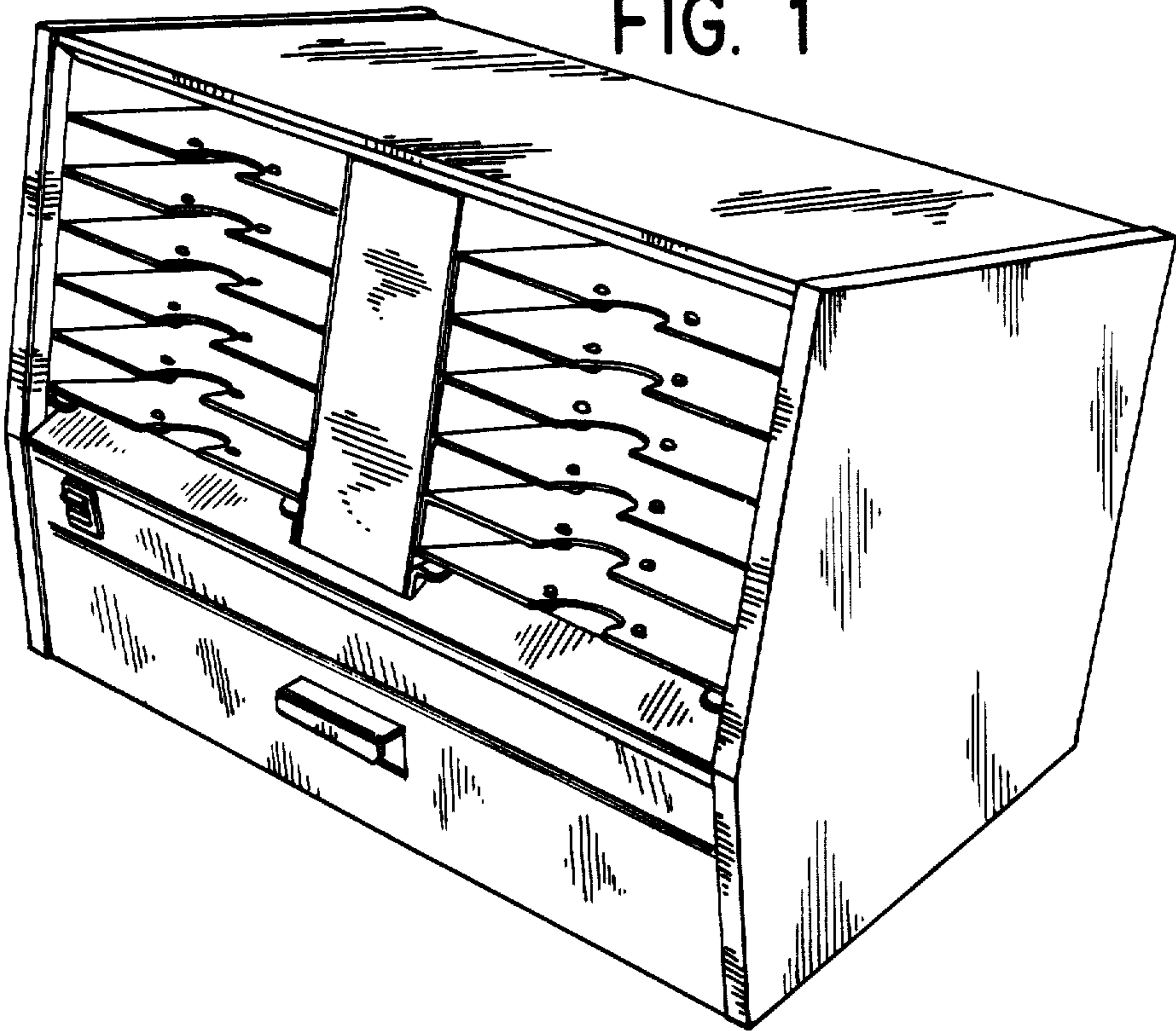


FIG. 2

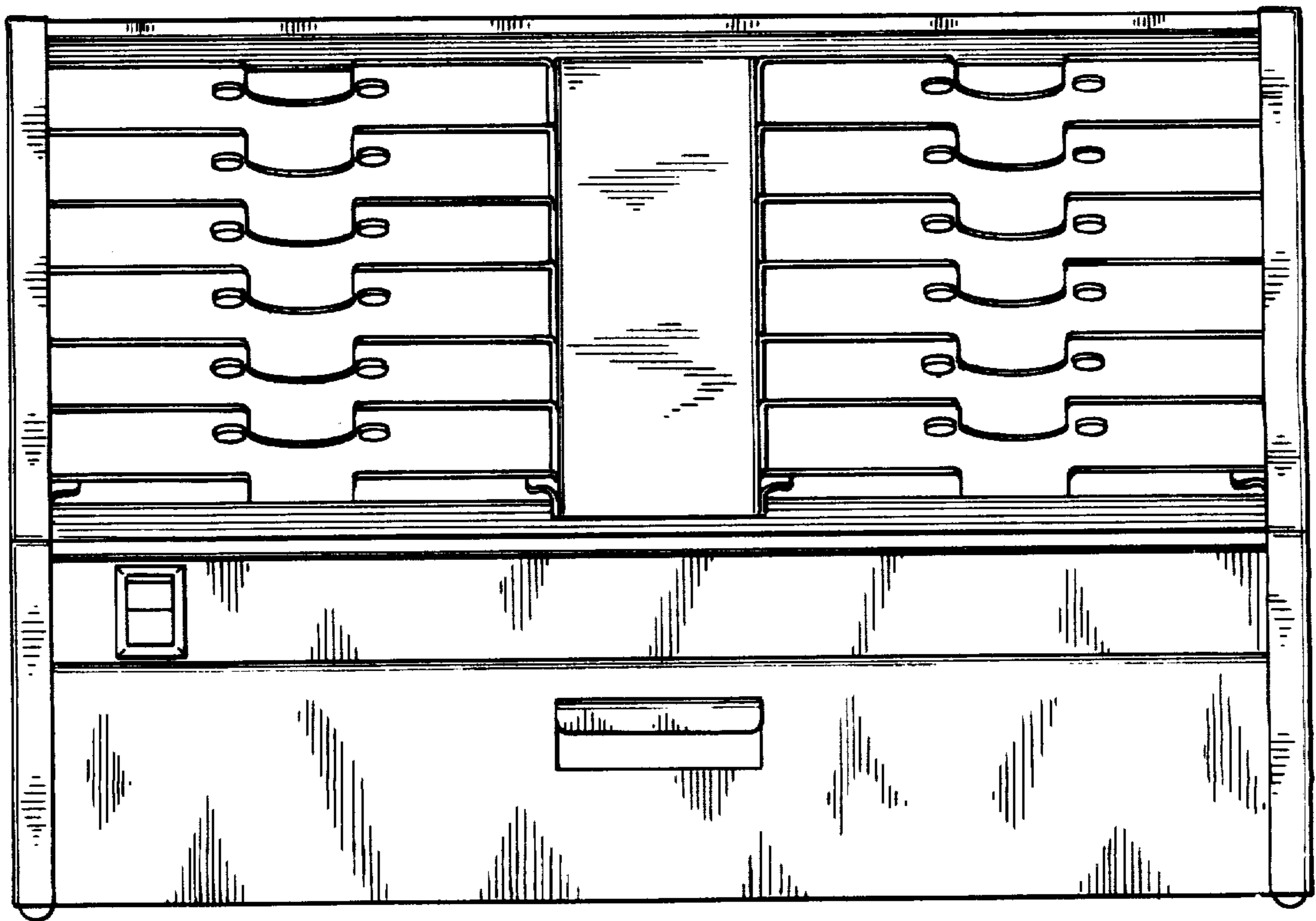


FIG. 3

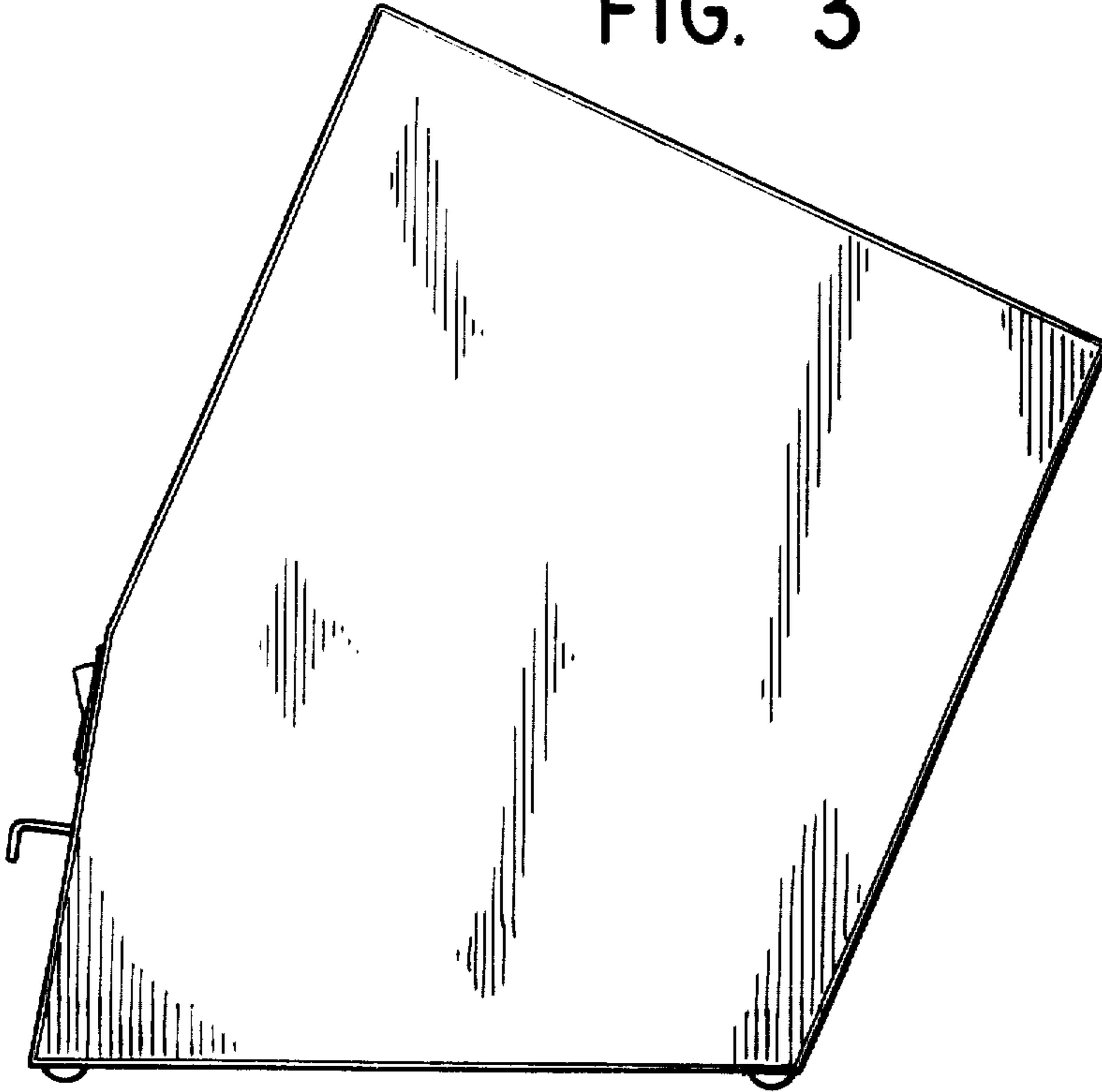


FIG. 4

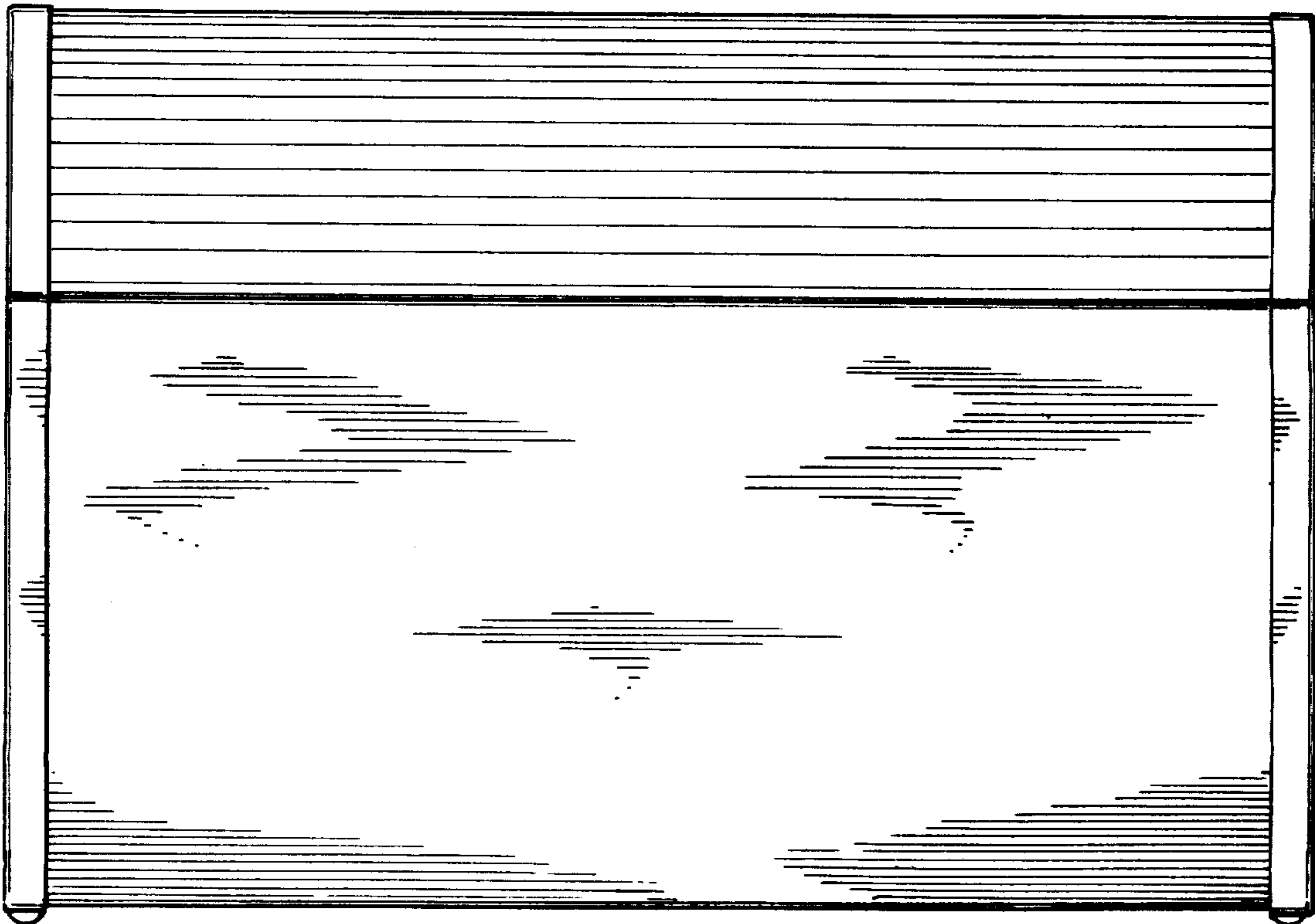


FIG. 5

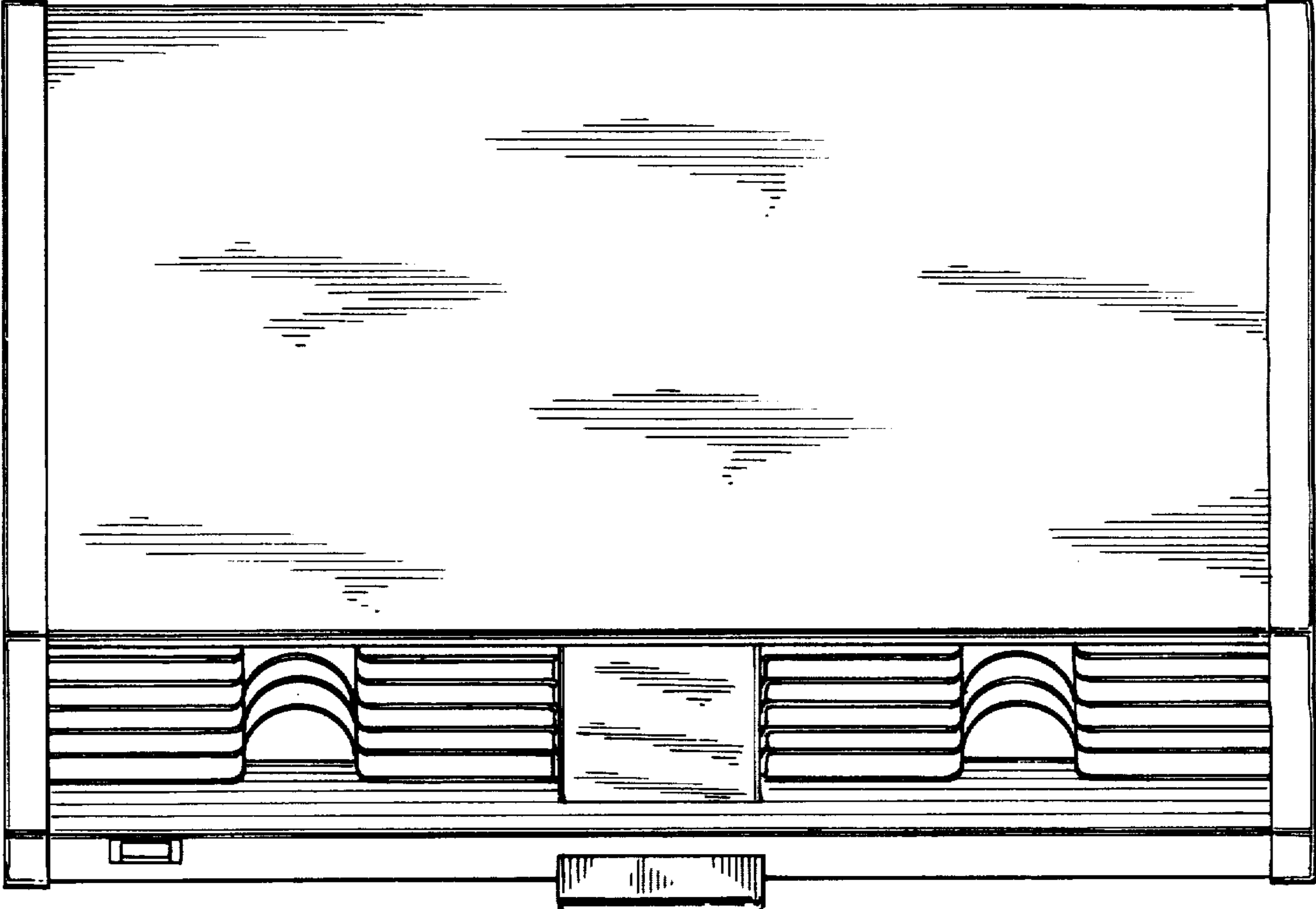


FIG. 6

