

[54] COMBINED LUGGAGE CARRIER AND BACK REST FOR MOTORCYCLE

[75] Inventor: Claude Larose, Laval-Quebec, Canada

[73] Assignee: Triangle Accessoires de Motocyclettes LTEE, St-Leonard, Canada

[\*\*] Term: 14 Years

[21] Appl. No.: 102,459

[22] Filed: Dec. 10, 1979

[51] Int. Cl. .... D12-11

[52] U.S. Cl. .... D12/158

[58] Field of Search ..... D12/158; 224/32 A, 32 R, 224/39; 297/DIG. 9

[56] References Cited PUBLICATIONS

Cycle, 6/79, p. 23, Luggage Rack & Backrest on Motorcycle, top of page.

Cycle, 6/79, p. 30, Luggage Rack & Backrest, Center Box.

Cycle World, 9/71, p. 87, Luggage Rack & Backrest, center left side of page.

M. C. Supply Co. Catalog, 1968-1969, p. 35, Luggage Carrier No. M. C. 1268, second box down from top left side of page.

Primary Examiner—James M. Gandy Attorney, Agent, or Firm—Robic, Robic & Associates

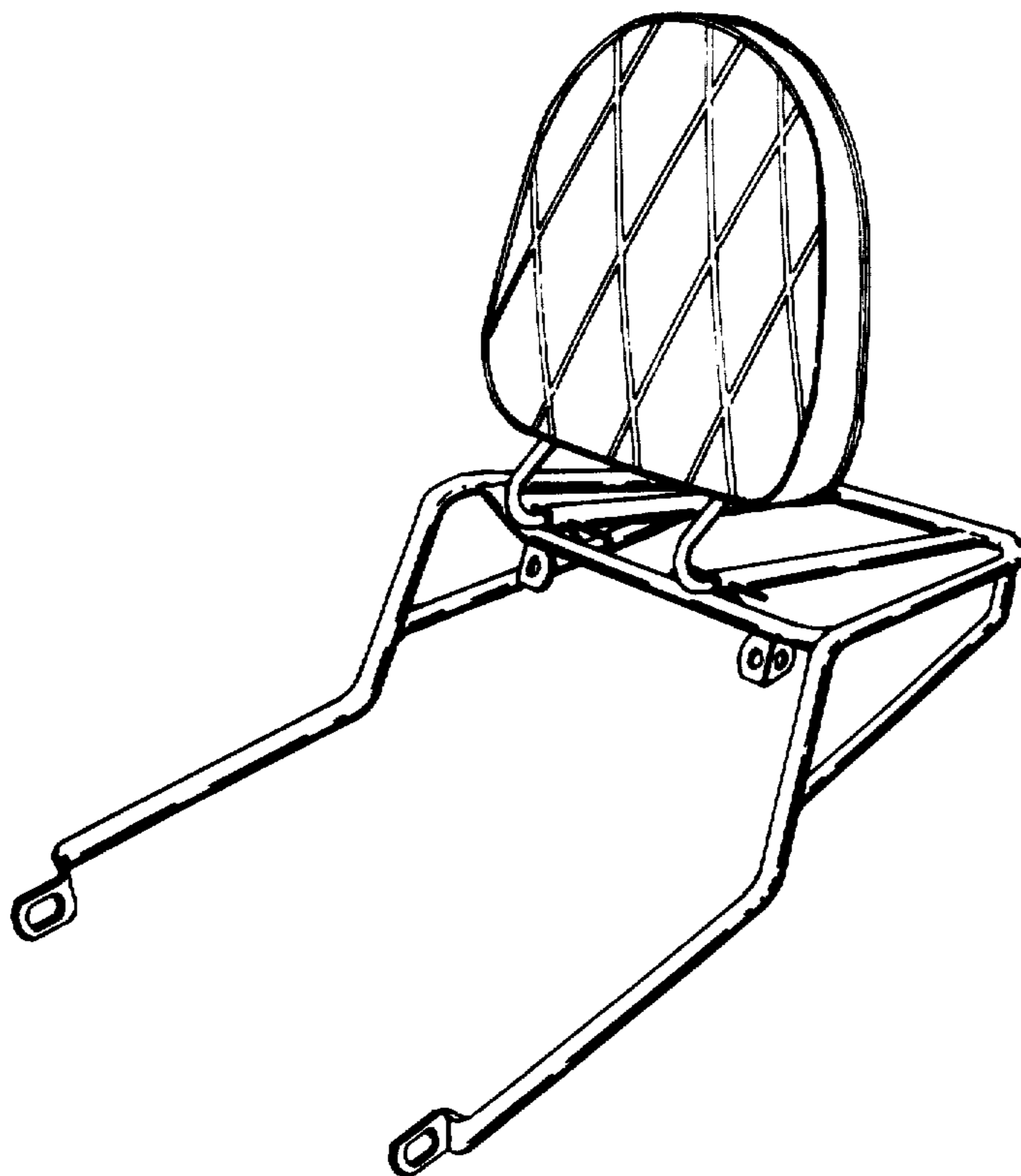
[57] CLAIM

The ornamental design for a combined luggage carrier and back rest for motorcycle, as shown.

DESCRIPTION

FIG. 1 is a rear perspective view of a combined luggage carrier and back rest for motorcycle showing my new design; and

FIG. 2 is a front perspective view thereof.



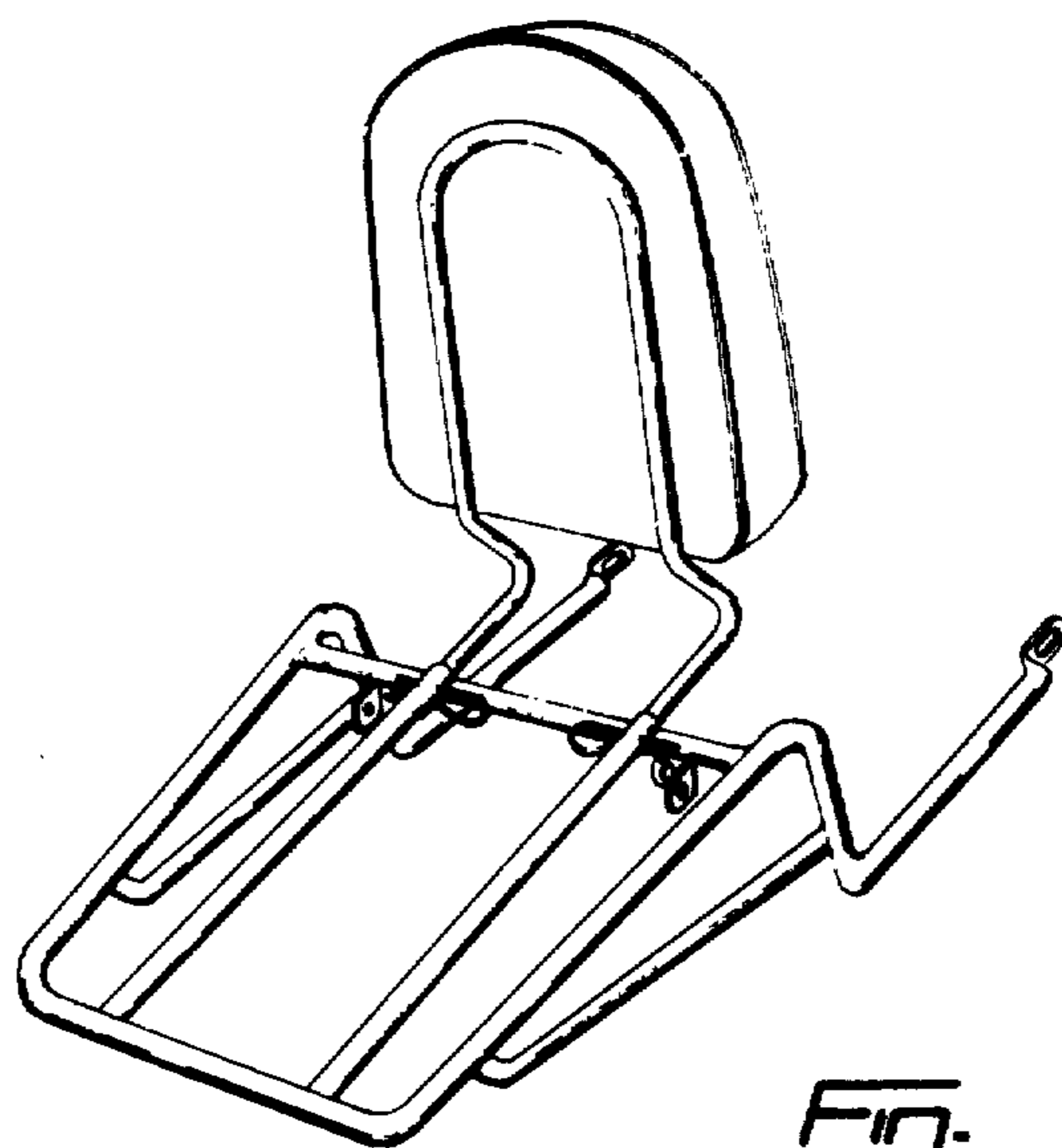


Fig. 1

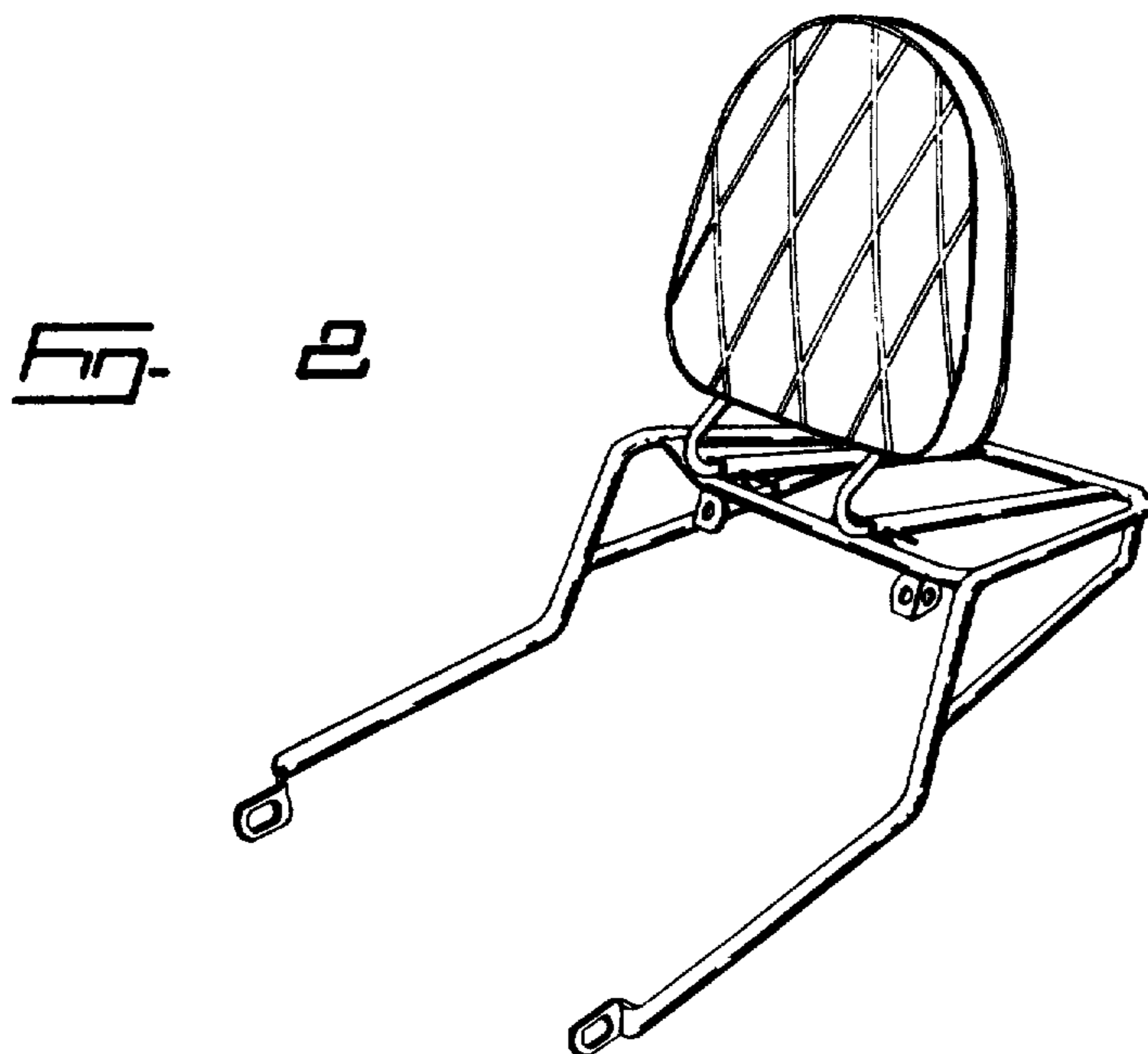


Fig. 2