

[54] **BICYCLE PEDAL, OR THE LIKE**

[75] **Inventor:** Robert F. Humlong, Maysville, Ky.

[73] **Assignee:** Wald Manufacturing Co., Inc.,
Maysville, Ky.

[**] **Term:** 14 Years

[21] **Appl. No.:** 874,097

[22] **Filed:** Feb. 1, 1978

[51] **Int. Cl.** D12-11
[52] **U.S. Cl.** D12/125
[58] **Field of Search** D12/125; 74/594.4

[56] **References Cited**

U.S. PATENT DOCUMENTS

D. 248,635 7/1978 Pawsat et al. D12/125
3,709,058 1/1973 Pawsat 74/594.4
3,802,292 4/1974 Haberkorn et al. 74/594.4

FOREIGN PATENT DOCUMENTS

1236493 6/1960 France 74/594.4

OTHER PUBLICATIONS

American Bicyclist & Motorcyclist, 6/75, p. 49, Bicycle Pedal, top of page.

Primary Examiner—James M. Gandy
Attorney, Agent, or Firm—Wood, Herron & Evans

[57] **CLAIM**

The ornamental design for a bicycle pedal, or the like, as shown and described.

DESCRIPTION

FIG. 1 is a top perspective view of the side and one end of a bicycle pedal or the like showing my new design. FIG. 2 is a top perspective view of the side and end opposite that shown in FIG. 1.

FIG. 3 is an elevational view of the side of FIG. 1.

FIG. 4 is an elevational view of the left end of FIG. 1.

FIG. 5 is an elevational view of the left end of FIG. 2.

FIG. 6 is a fragmentary sectional view of the end plate taken along line 6—6 in FIG. 4, it being understood that the pedal shaft, bearing flange and interior, end plate, have not been shown in section for ease of illustration; and,

FIG. 7 is a fragmentary sectional view of the opposite end plate taken along line 7—7 of FIG. 5, it being understood that the pedal shaft, bearing flange, flat side shaft stud and threaded shaft stud have not been shown in section for ease of illustration.

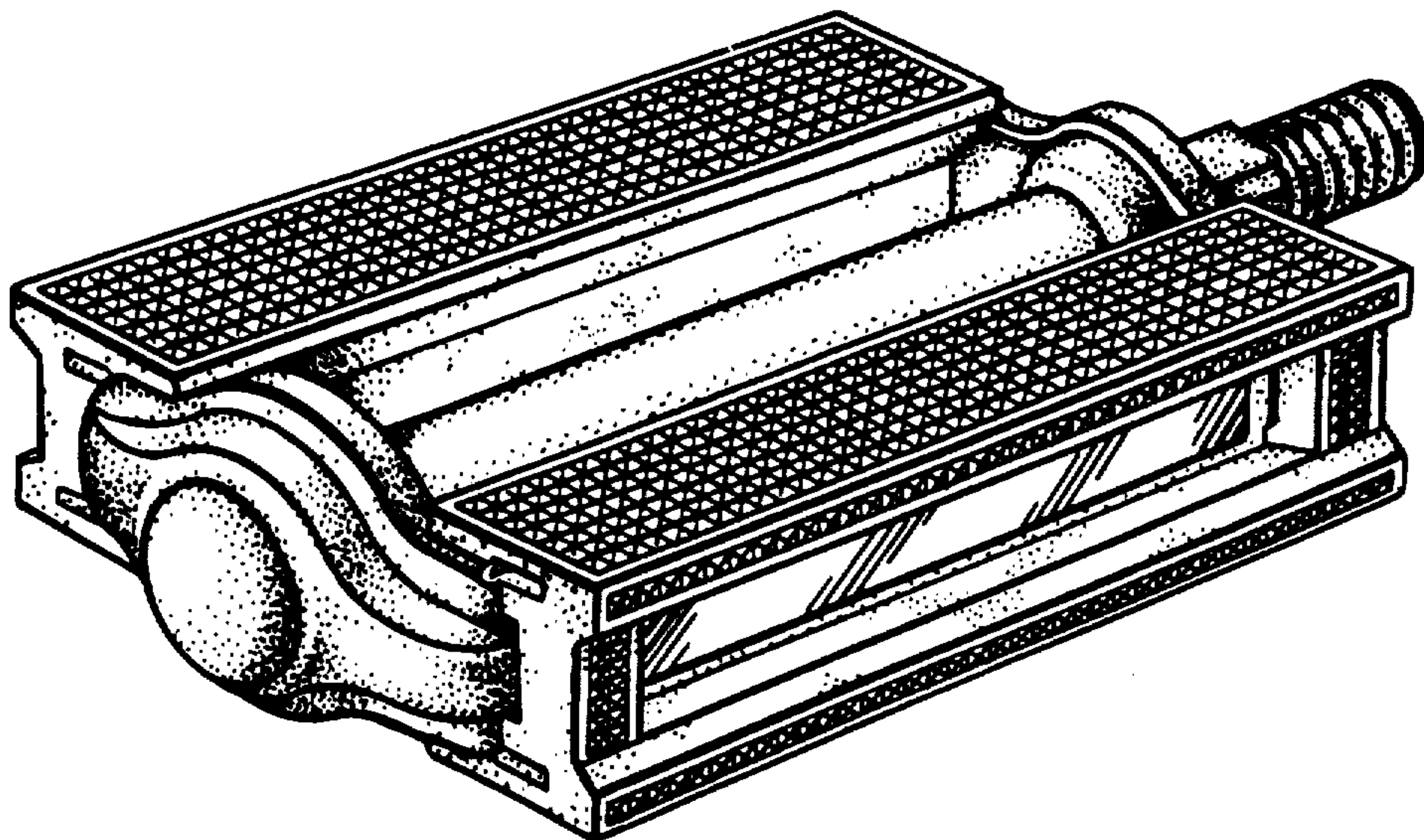


FIG-1

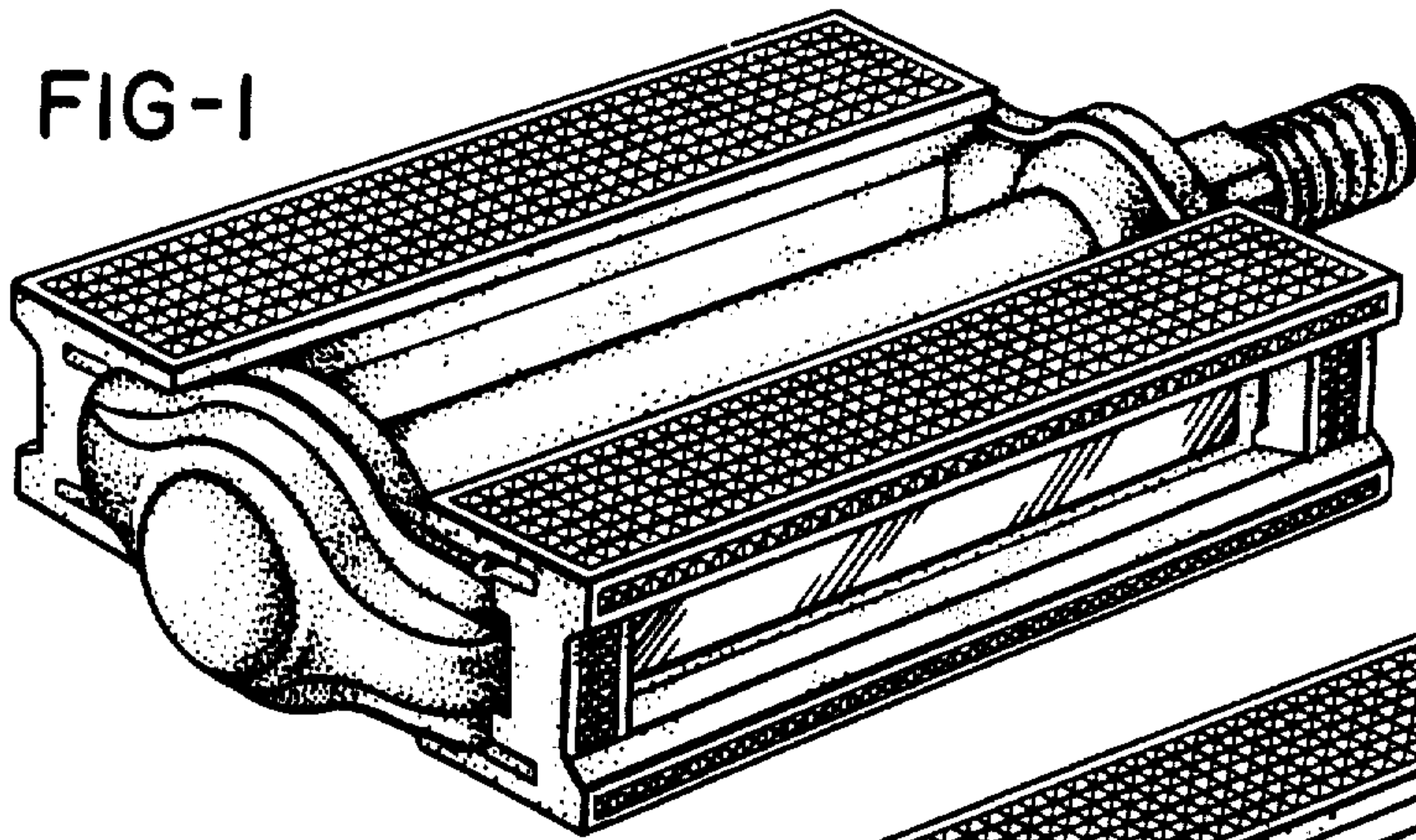


FIG-2

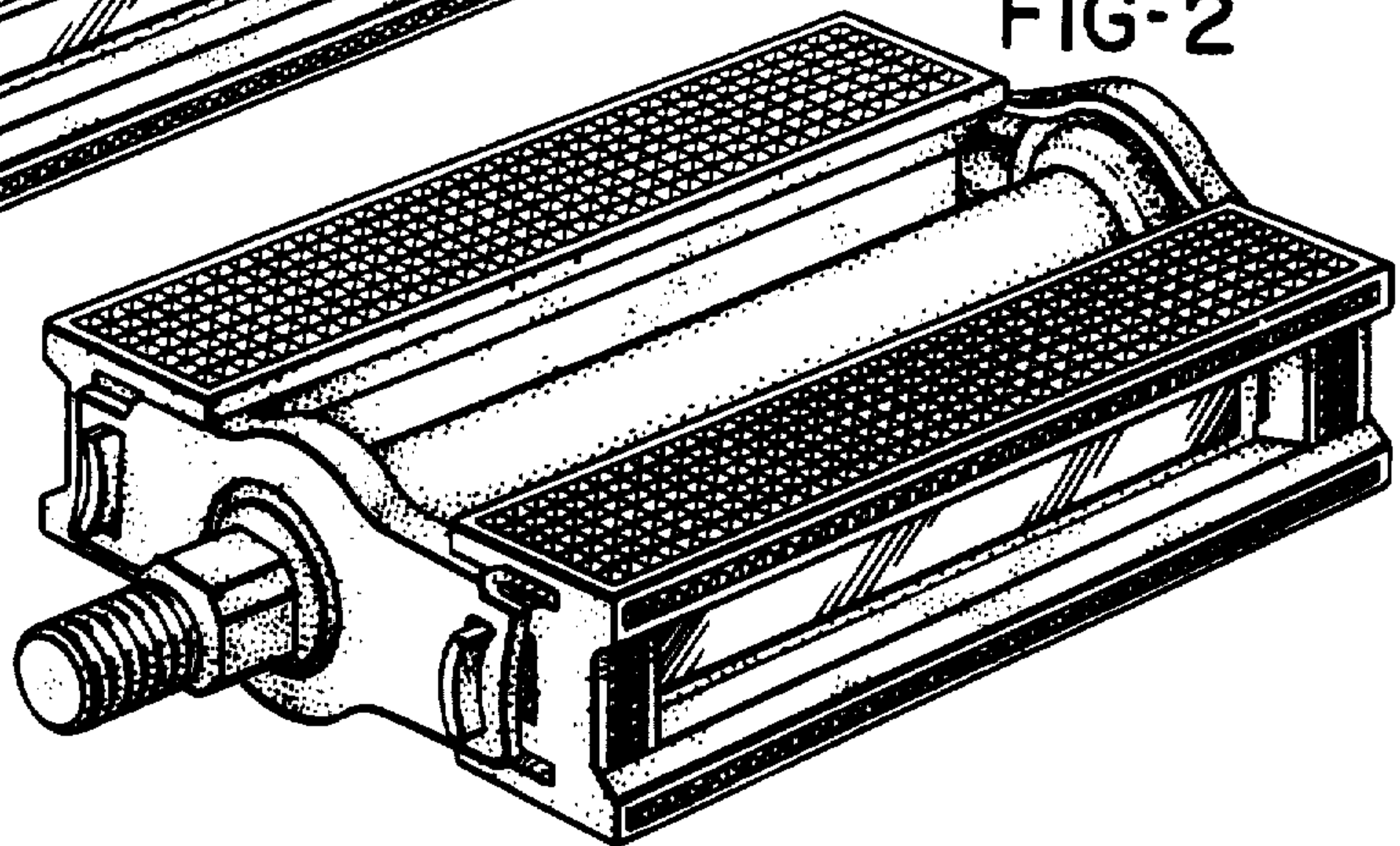


FIG-3

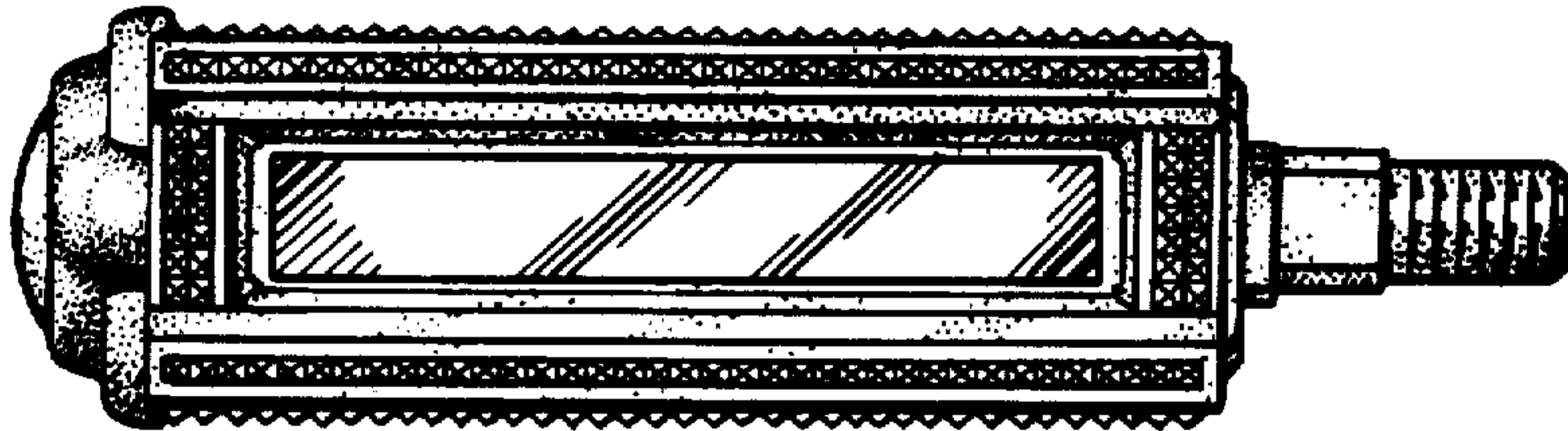


FIG-4

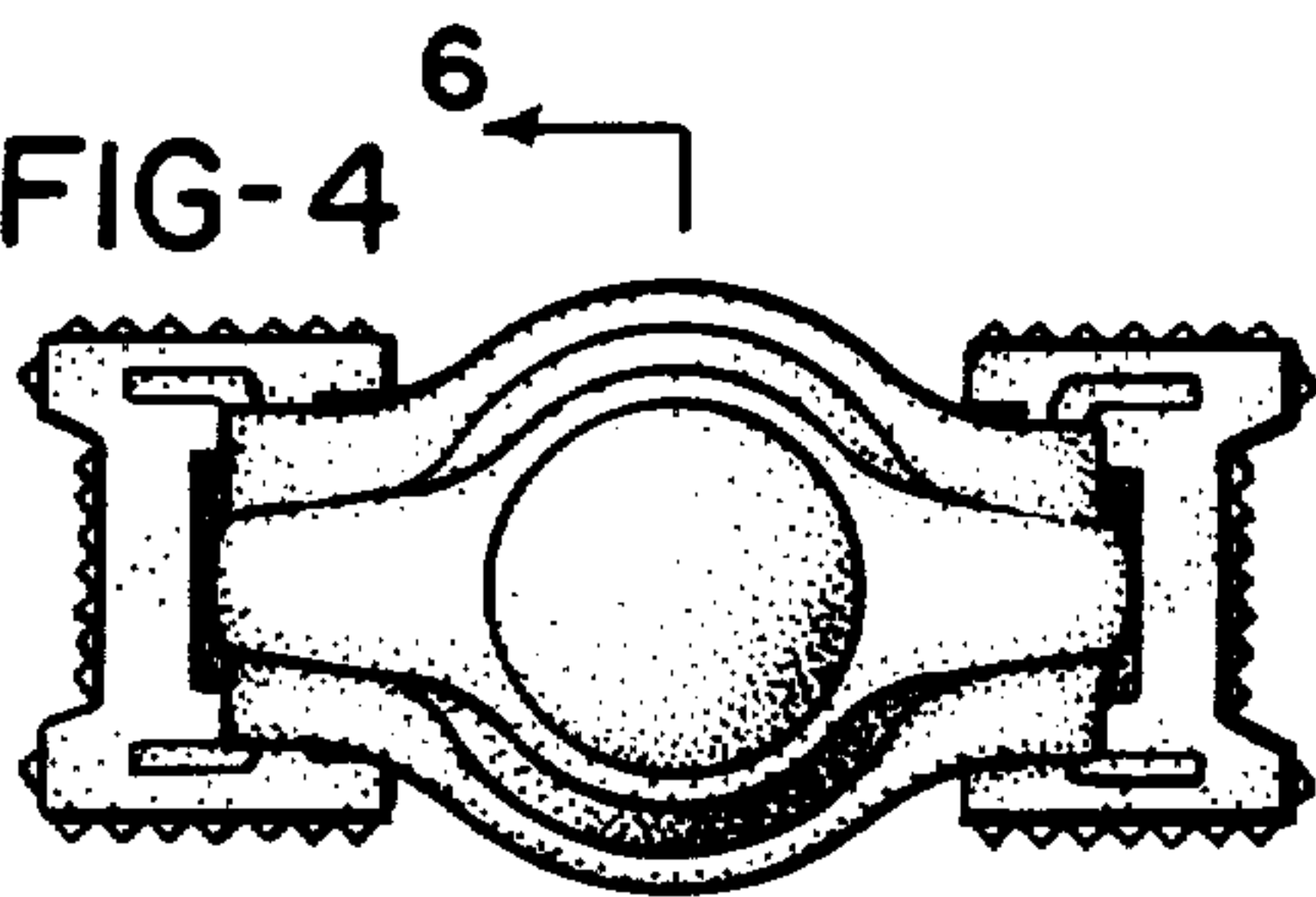
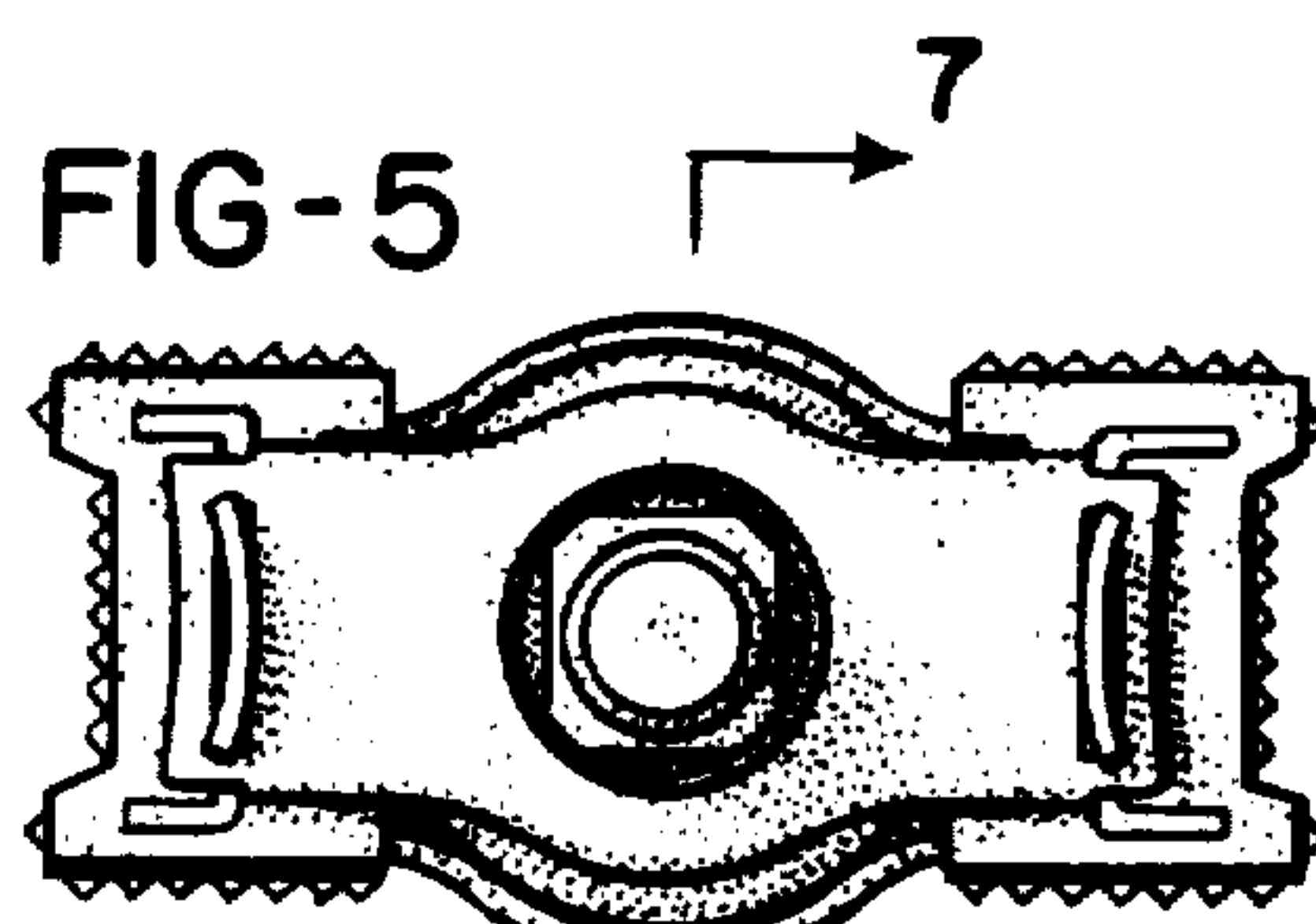


FIG-5



6

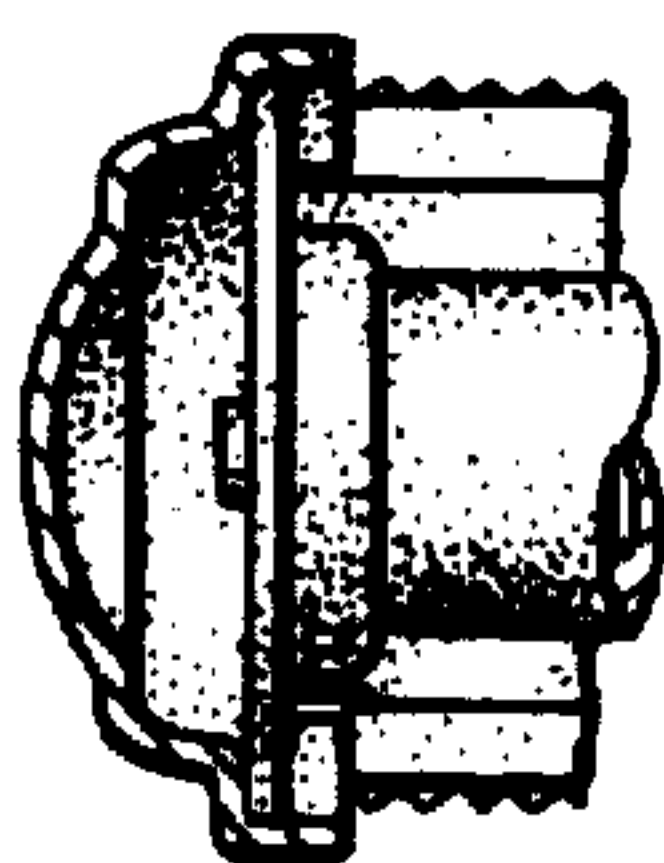


FIG-6

7

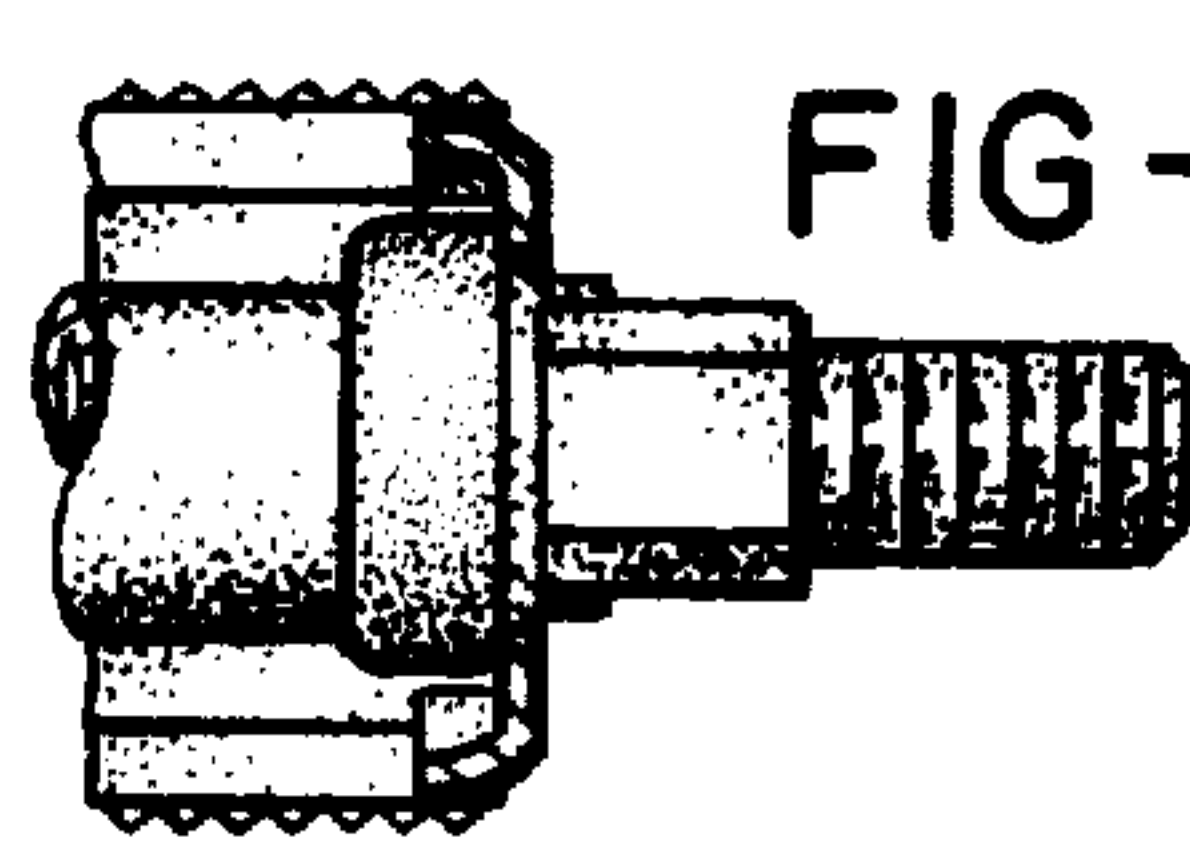


FIG-7