

[54] SEMICONDUCTOR WAFER CONTAINER

[75] Inventor: Robert J. Fuzere, Sunnyvale, Calif.

[73] Assignee: Fuzere Manufacturing Co., Inc., Sunnyvale, Calif.

[\*\*] Term: 14 Years

[21] Appl. No.: 931,823

[22] Filed: Aug. 7, 1978

[51] Int. Cl. .... D9-03

[52] U.S. Cl. .... D9/341; D9/431; 206/334; 206/454; 206/508

[58] Field of Search ..... D3/30, 35, 74, 78; D9/182, 183, 184, 187, 188, 237, 240; 206/334, 445, 454, 455, 456, 508, 512, 518, 558, 564, 585, 587

[56] References Cited

U.S. PATENT DOCUMENTS

D. 192,621 4/1962 Mojonier ..... D9/182

3,987,829 10/1976 Leone ..... D3/30 X  
4,043,451 8/1977 Johnson ..... 206/334  
4,160,504 7/1979 Kudlich et al. .... 206/334

FOREIGN PATENT DOCUMENTS

468993 10/1950 Canada ..... 206/512  
110754 4/1961 Pakistan ..... 206/508

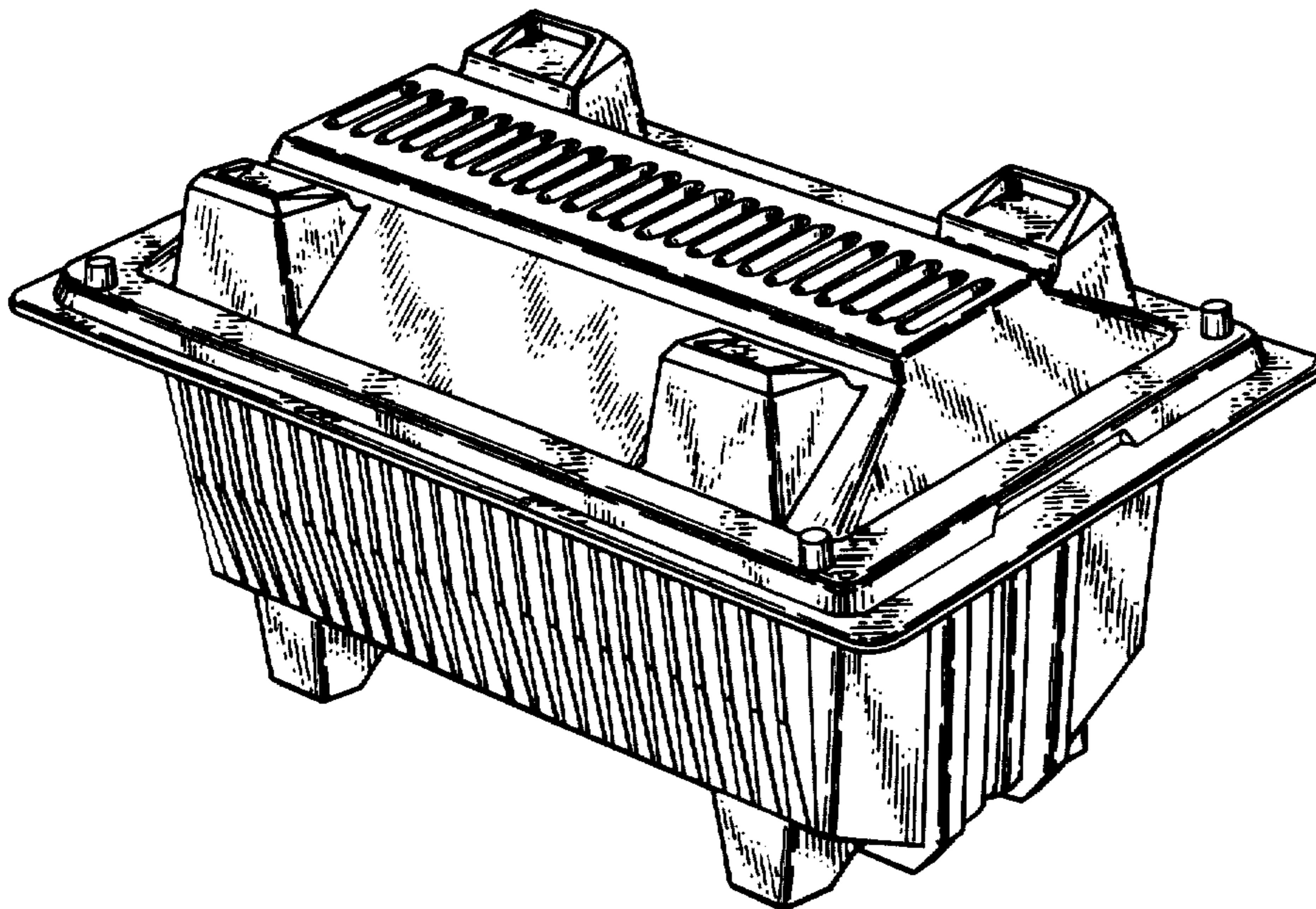
Primary Examiner—George G. Stellar  
Attorney, Agent, or Firm—Richard Alan Brown

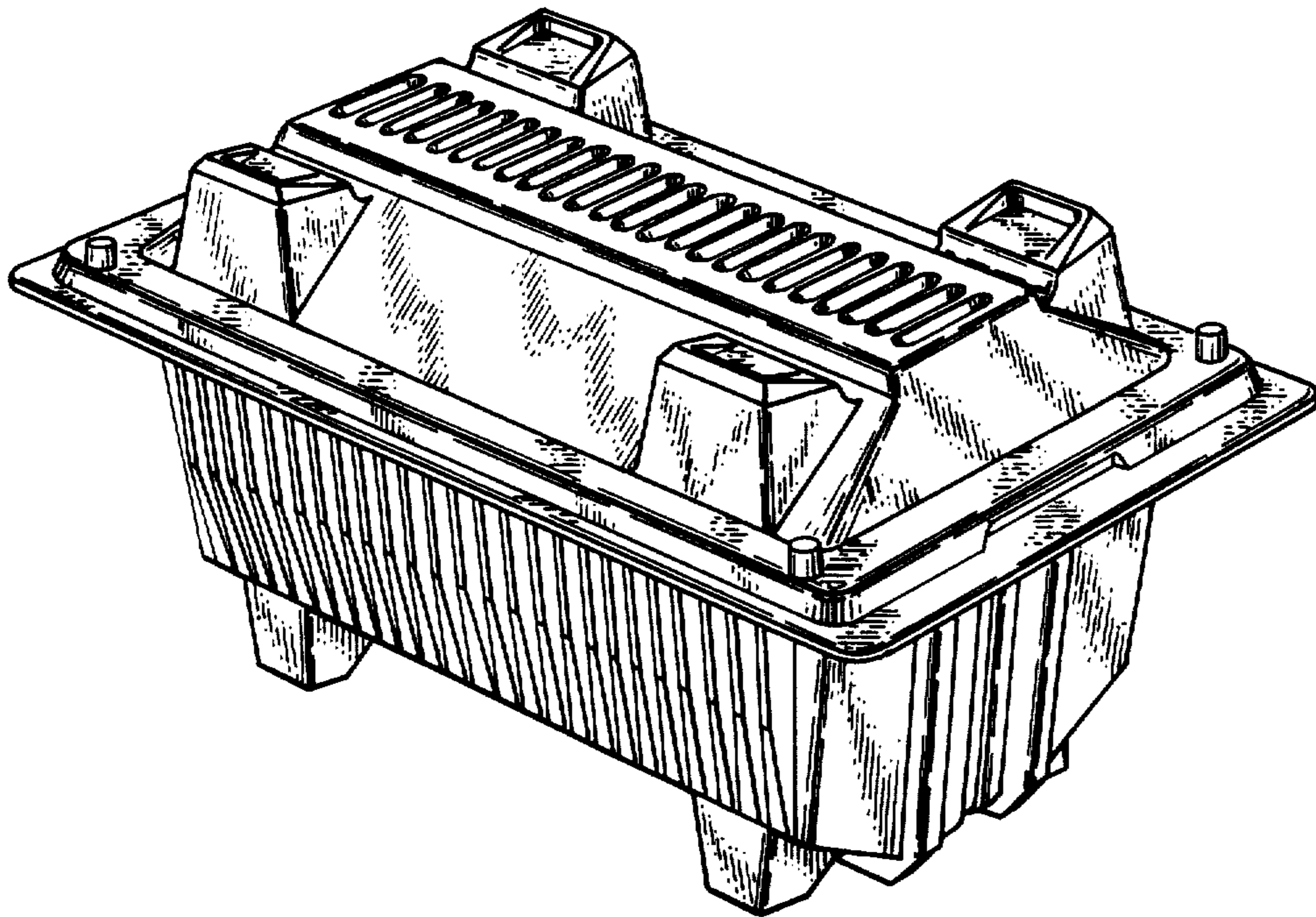
[57] CLAIM

The ornamental design for a semiconductor wafer container, as shown and described.

DESCRIPTION

FIG. 1 is a perspective view of a semiconductor wafer container showing my new design, FIG. 2 is a side elevational view thereof, with the top in exploded relation, FIG. 3 is an end elevational view thereof, with the top in exploded relation, FIG. 4 is a top plan view thereof, and FIG. 5 is a bottom plan view thereof.





*Fig-1*

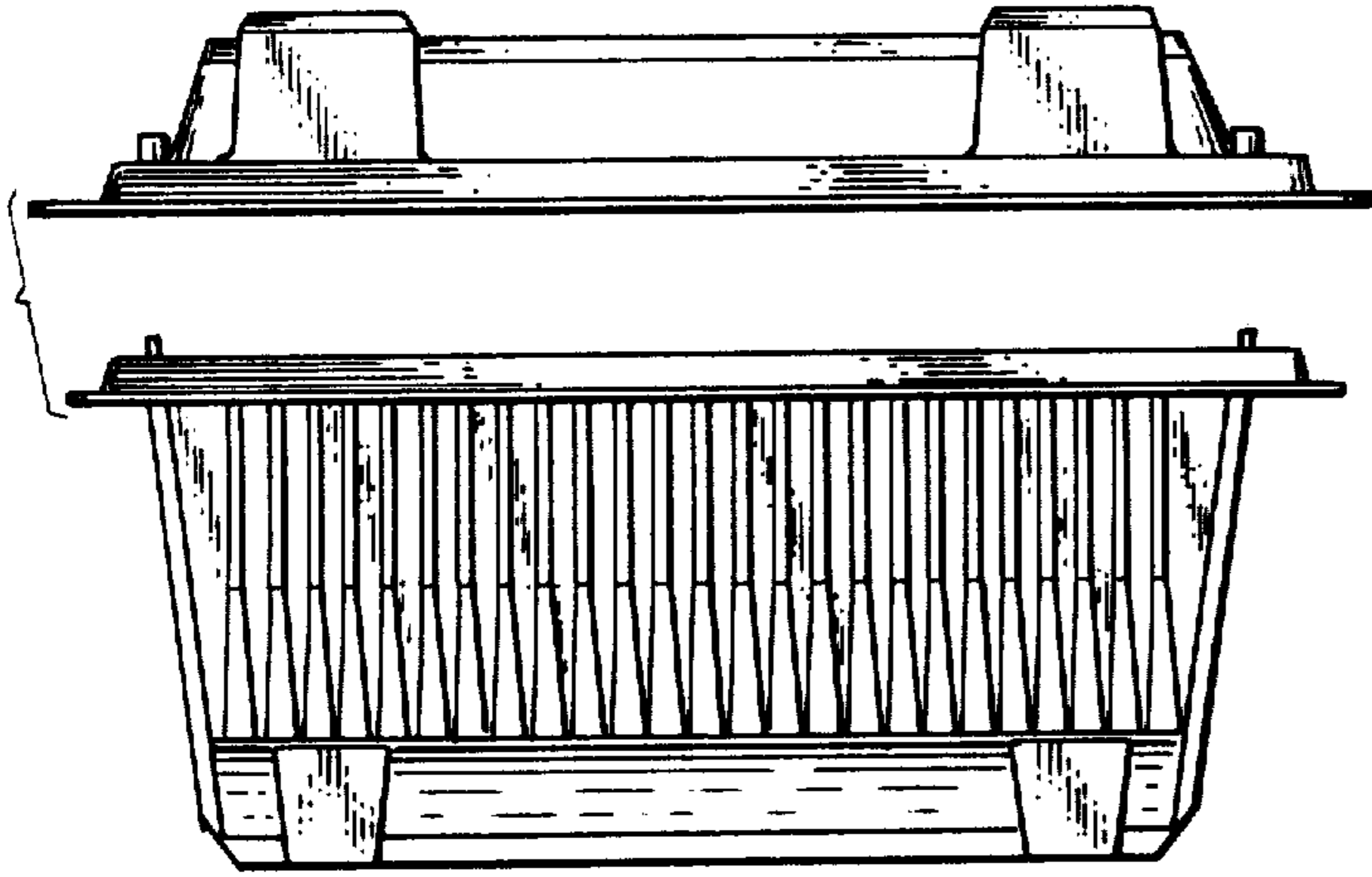


Fig. 2

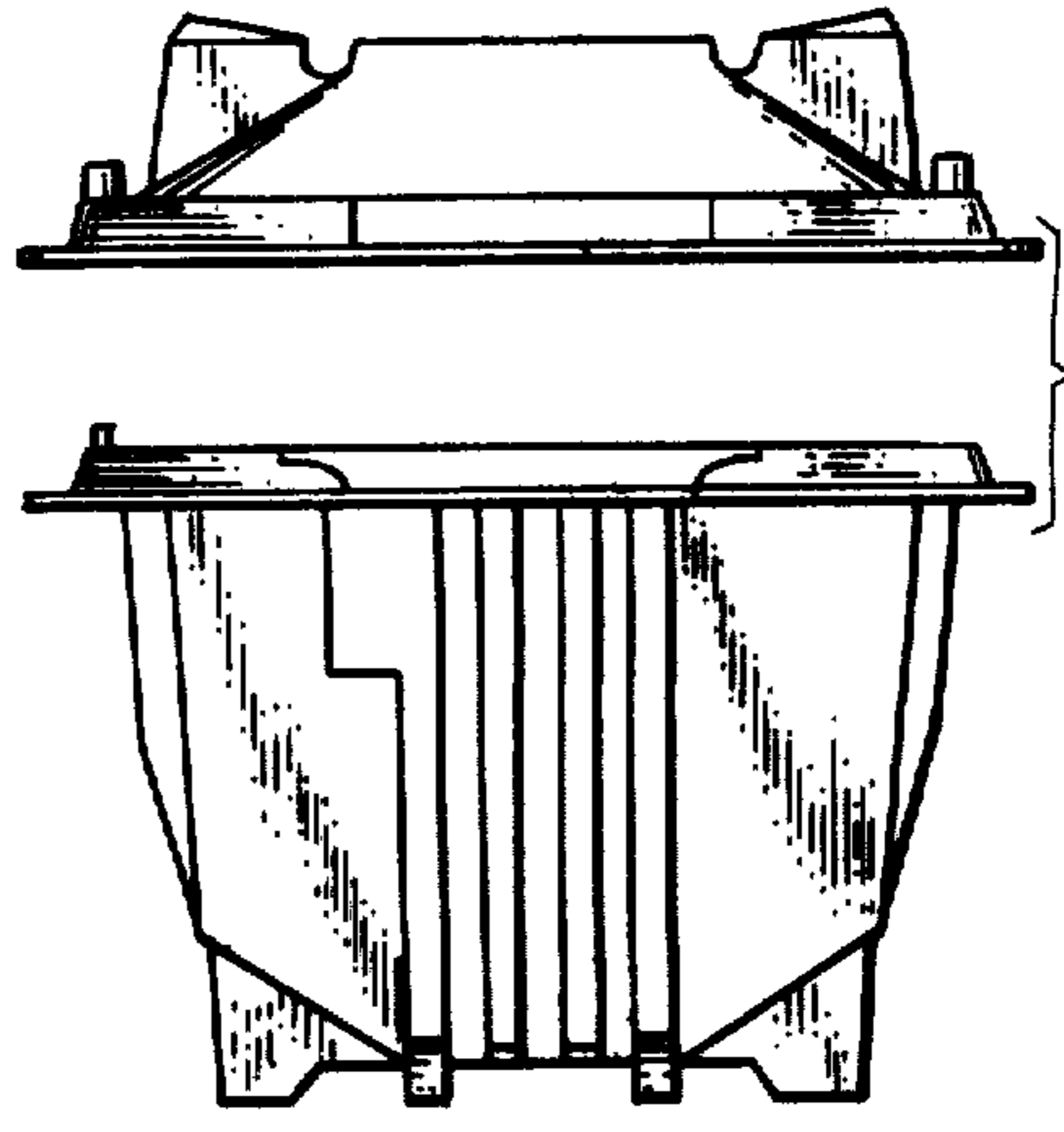


Fig. 3

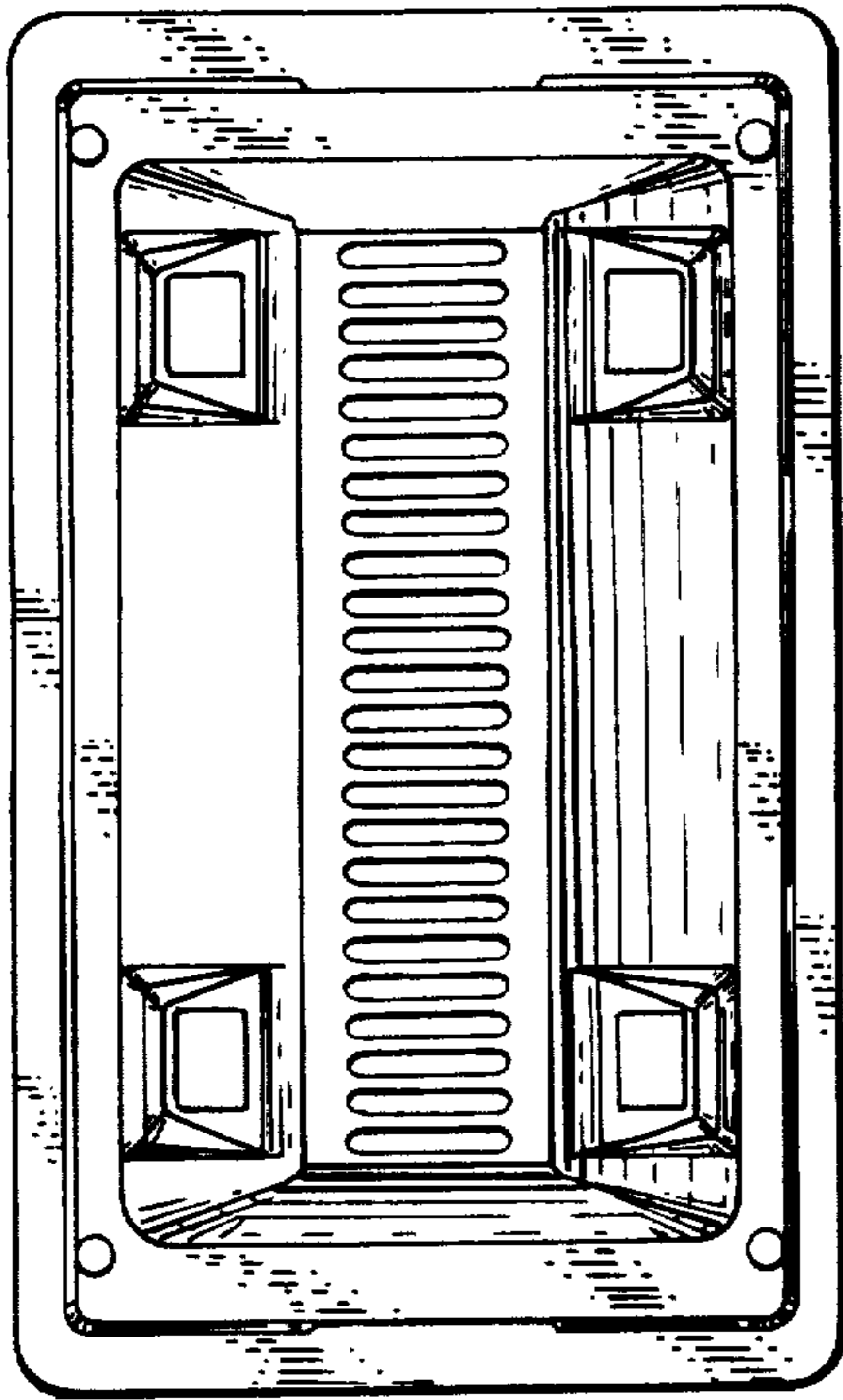


Fig. 4

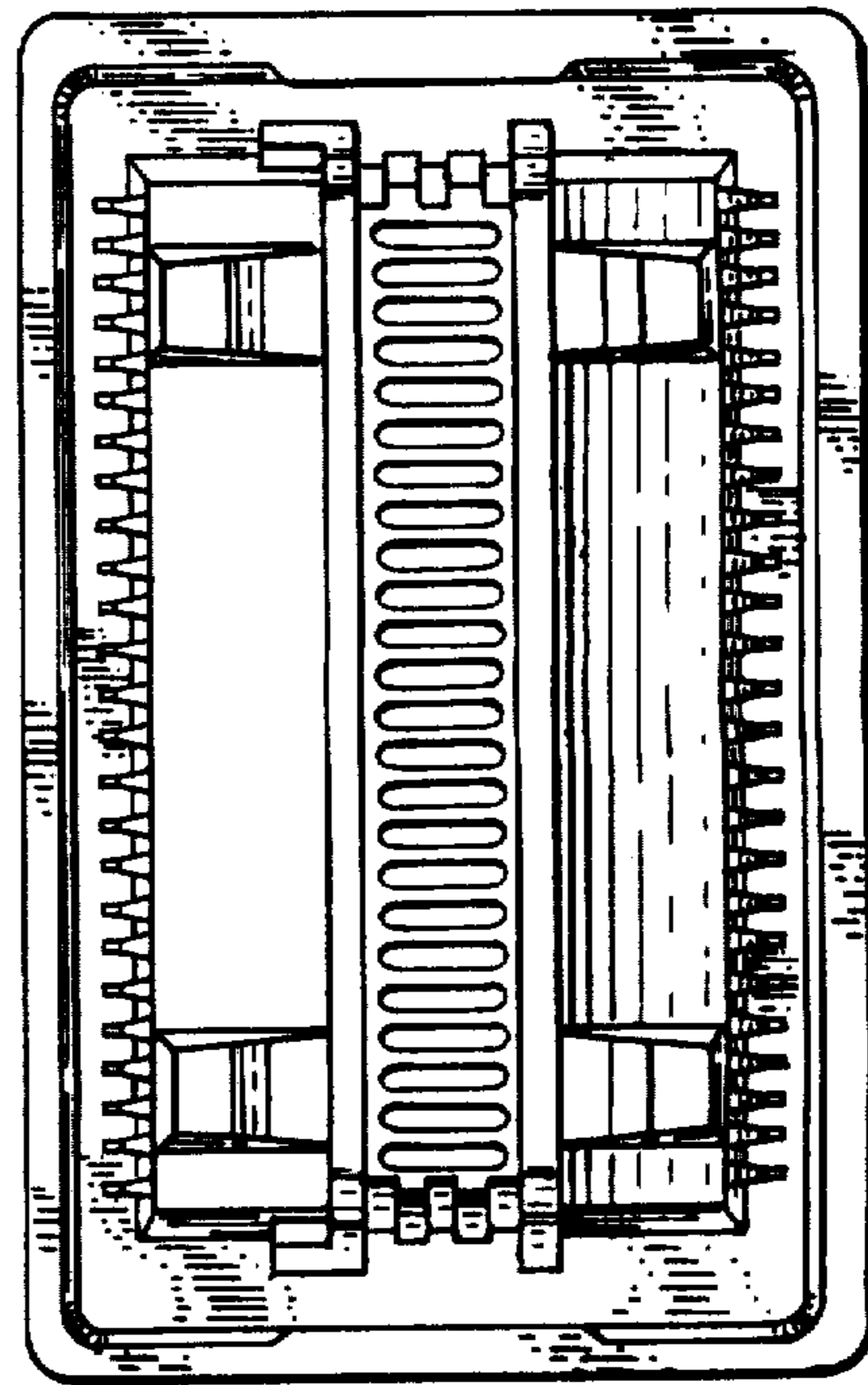


Fig. 5