

[54] CLAMP

[75] Inventors: Lenart Anderson, Mt. Prospect; Nicholas Zissimopoulos, Schaumburg, both of Ill.

[73] Assignee: Baxter Travenol Laboratories, Inc., Deerfield, Ill.

[\*\*] Term: 14 Years

[21] Appl. No.: 65,385

[22] Filed: Aug. 9, 1979

[51] Int. Cl. .... D8-08

[52] U.S. Cl. .... D8/394; D8/72

[58] Field of Search ..... 248/229, 226.5, 228; D8/72, 354, 363, 394, 395, 396; 128/346

[56] References Cited

U.S. PATENT DOCUMENTS

2,696,963 12/1954 Shepherd ..... 248/229

2,977,807	4/1961	Conover	.....	248/226.5	X
3,544,060	12/1970	Stoltz et al.	.....	248/229	X
3,565,380	2/1971	Langren	.....	248/229	
4,190,224	2/1980	LeBlanc et al.	.....	248/229	

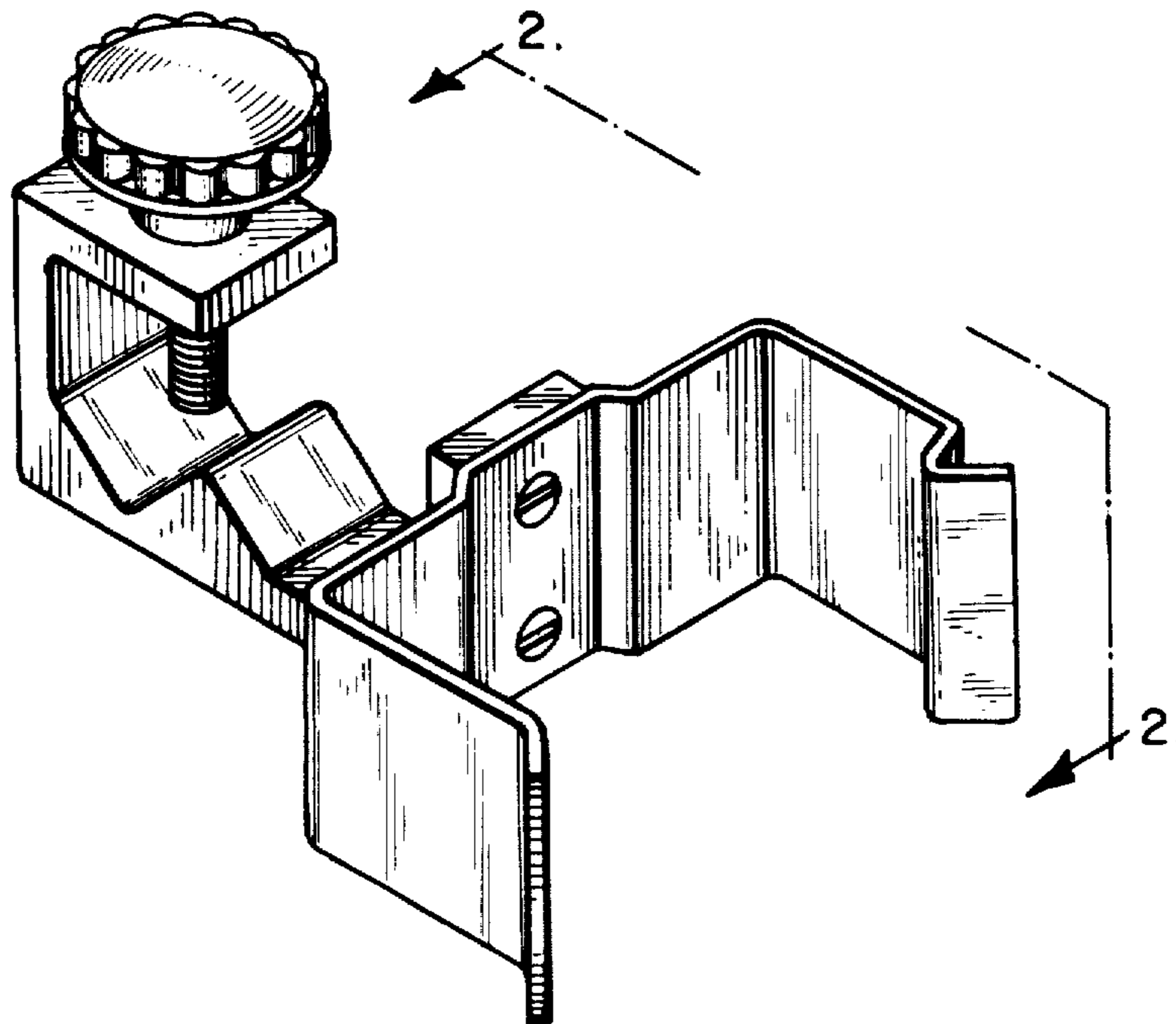
Primary Examiner—A. Hugo Word  
Attorney, Agent, or Firm—Paul C. Flattery; John P. Kirby, Jr.; George H. Gerstman

[57] CLAIM

The ornamental design for a clamp, as shown and described.

DESCRIPTION

FIG. 1 is a perspective view of a clamp of the present invention;  
FIG. 2 is a side view thereof;  
FIG. 3 is a bottom view thereof;  
FIG. 4 is a top view thereof;  
FIG. 5 is a side view thereof;  
FIG. 6 is a rear view thereof; and  
FIG. 7 is a front view thereof.



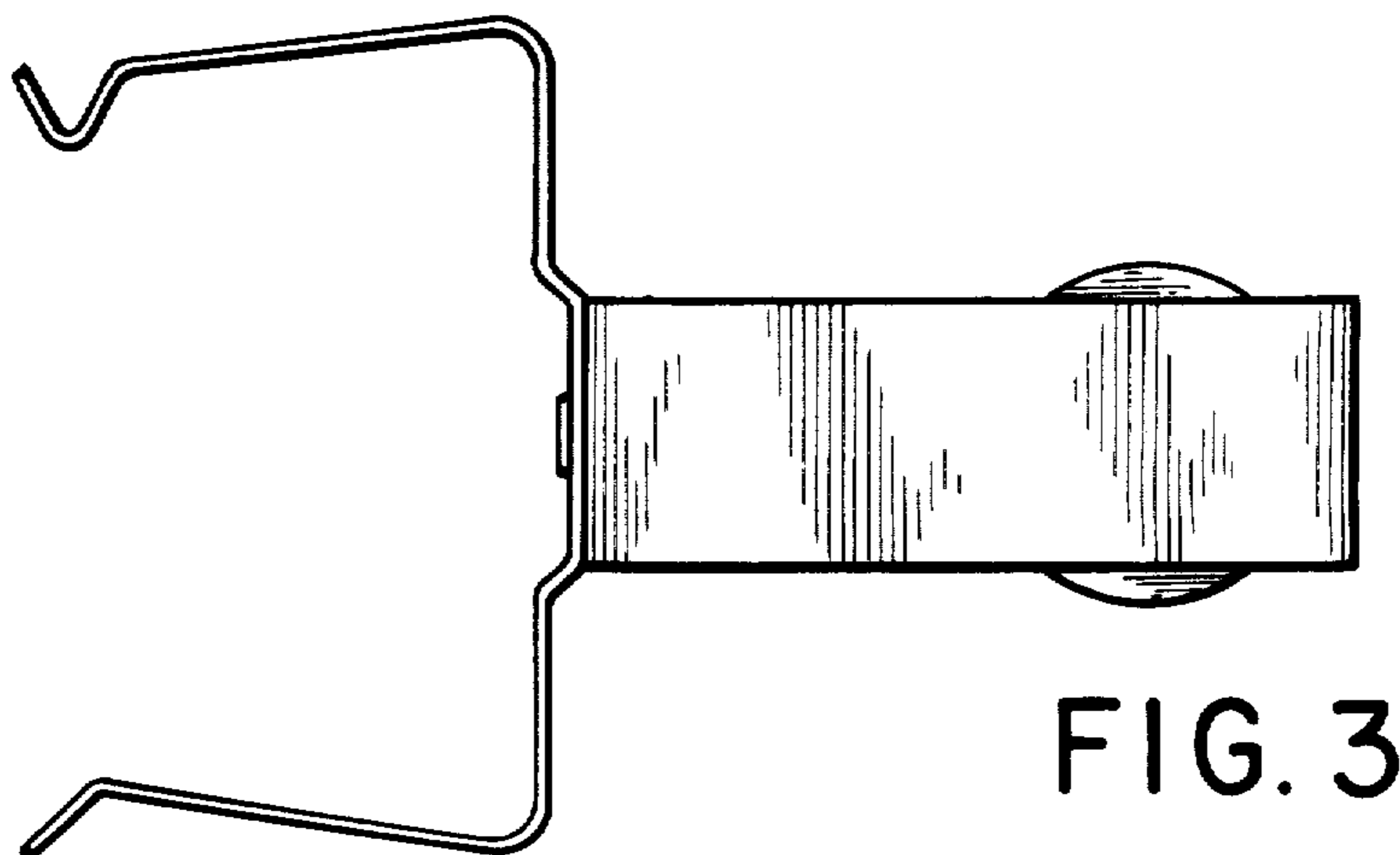
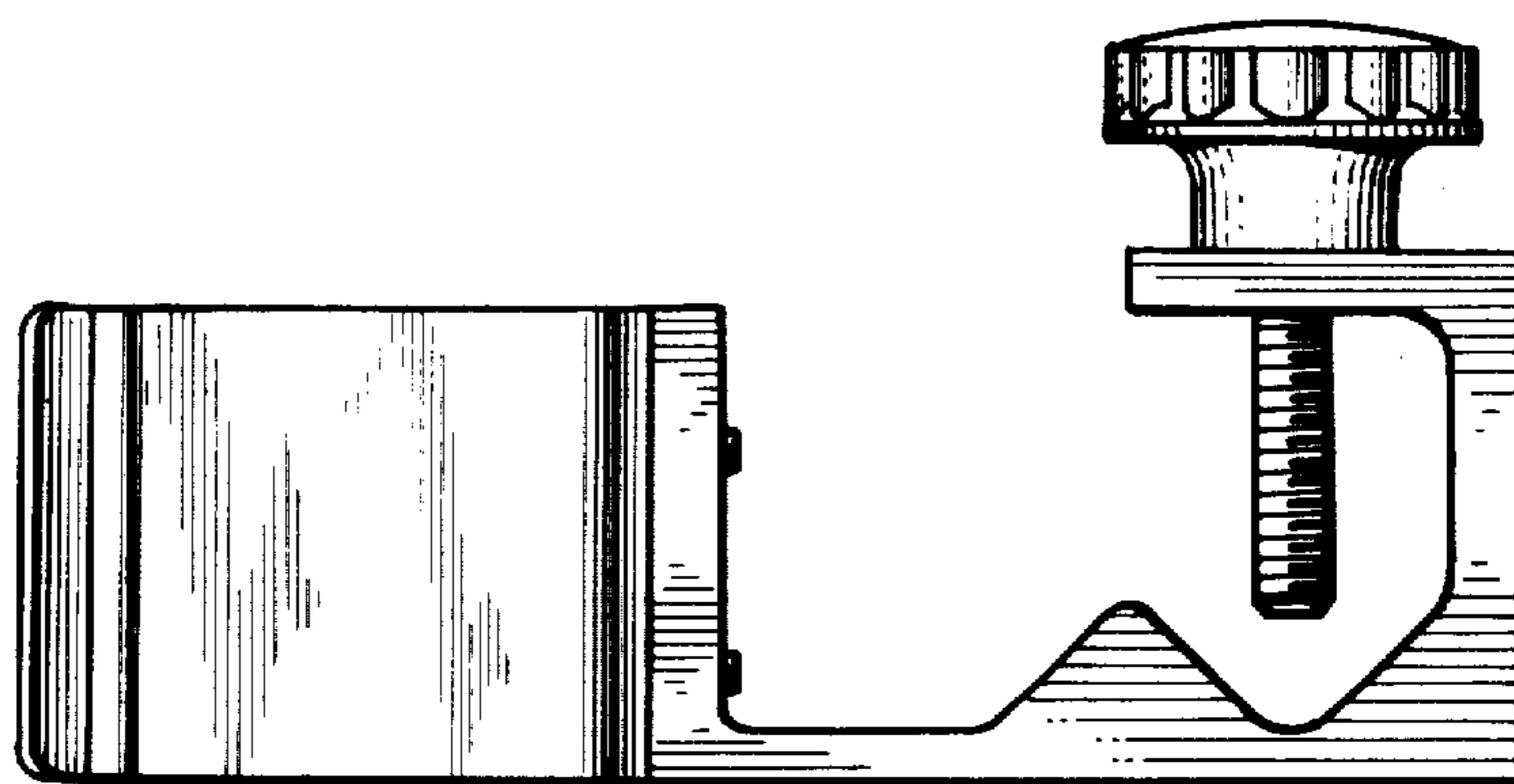
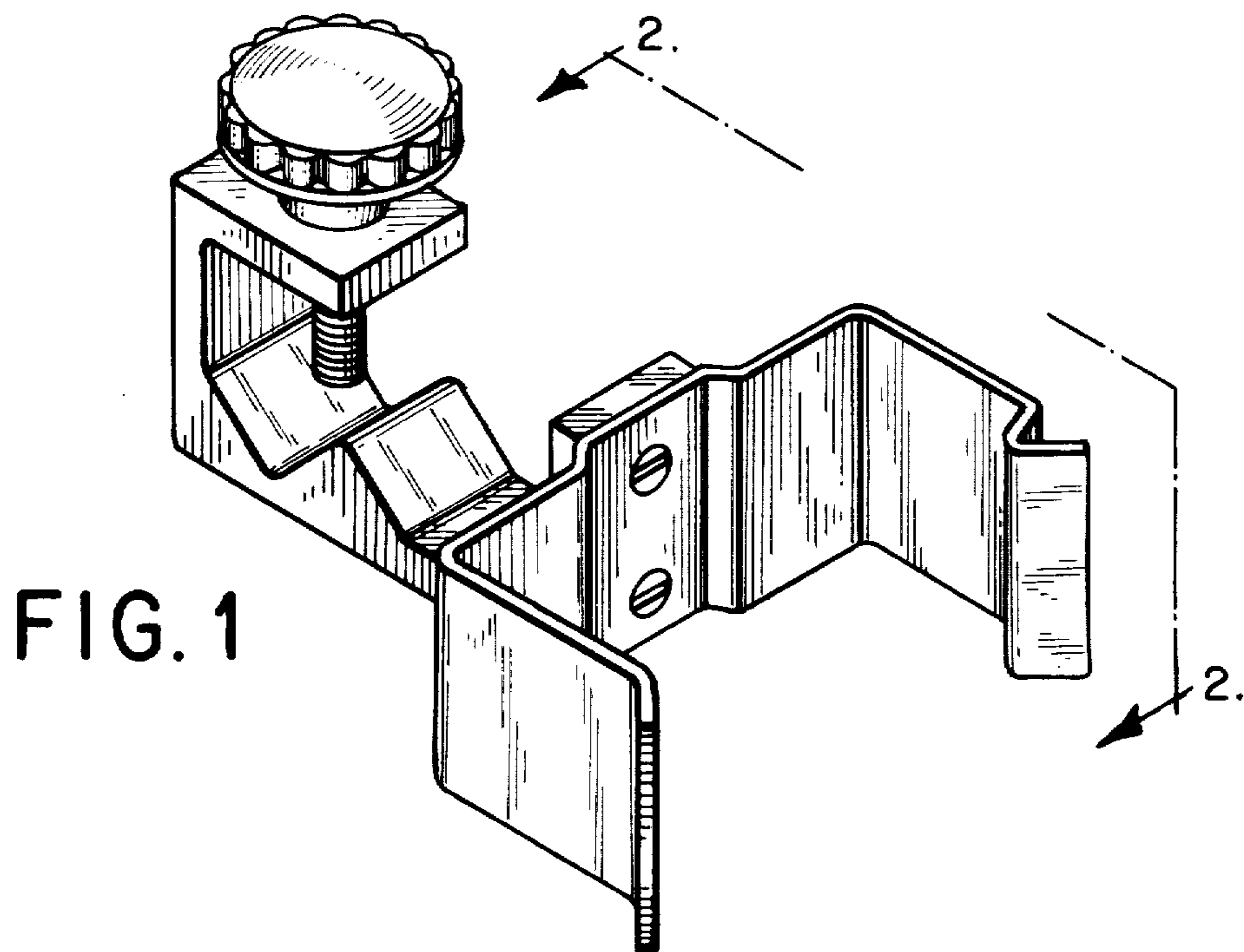


FIG. 4

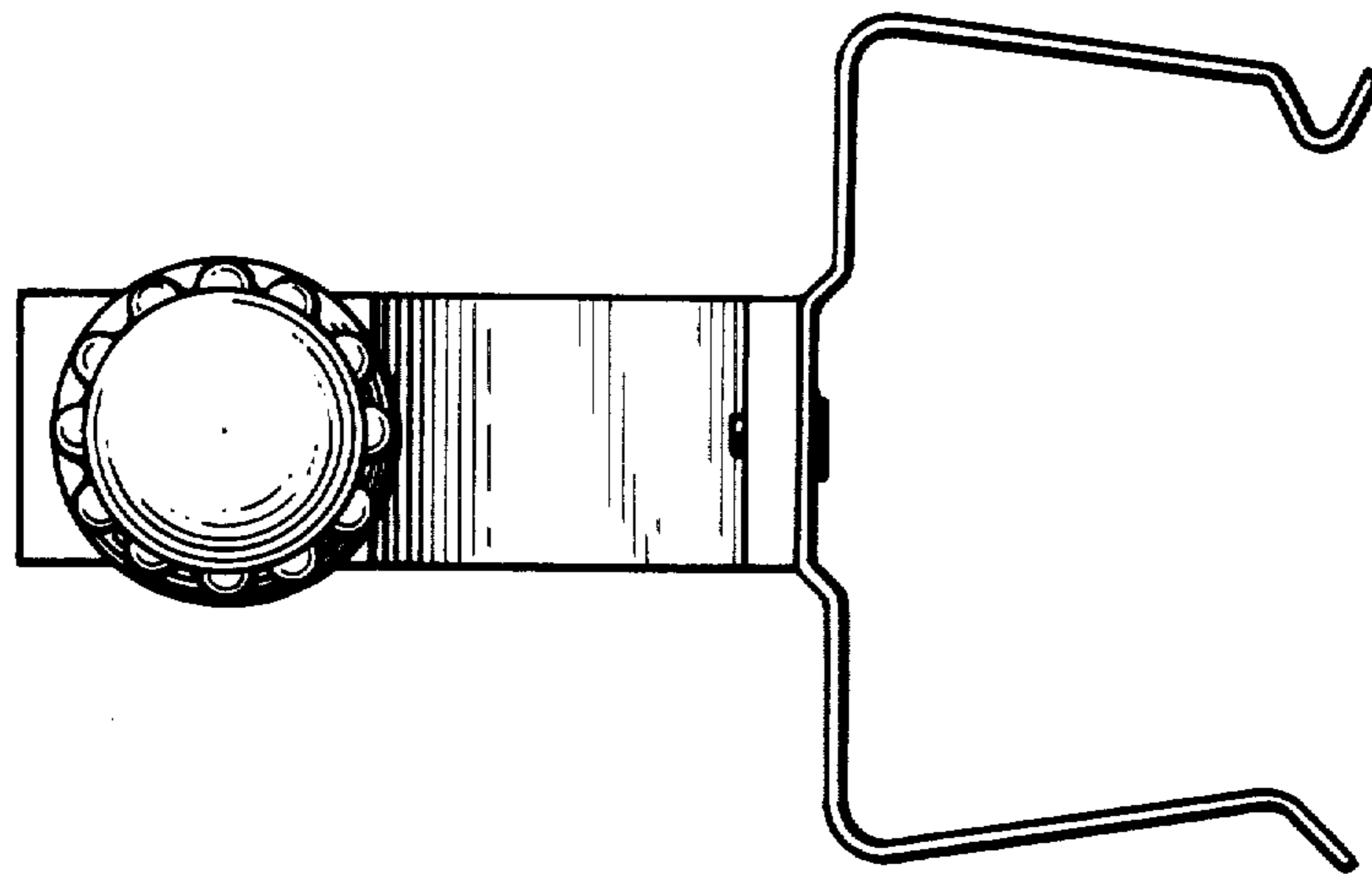


FIG. 5

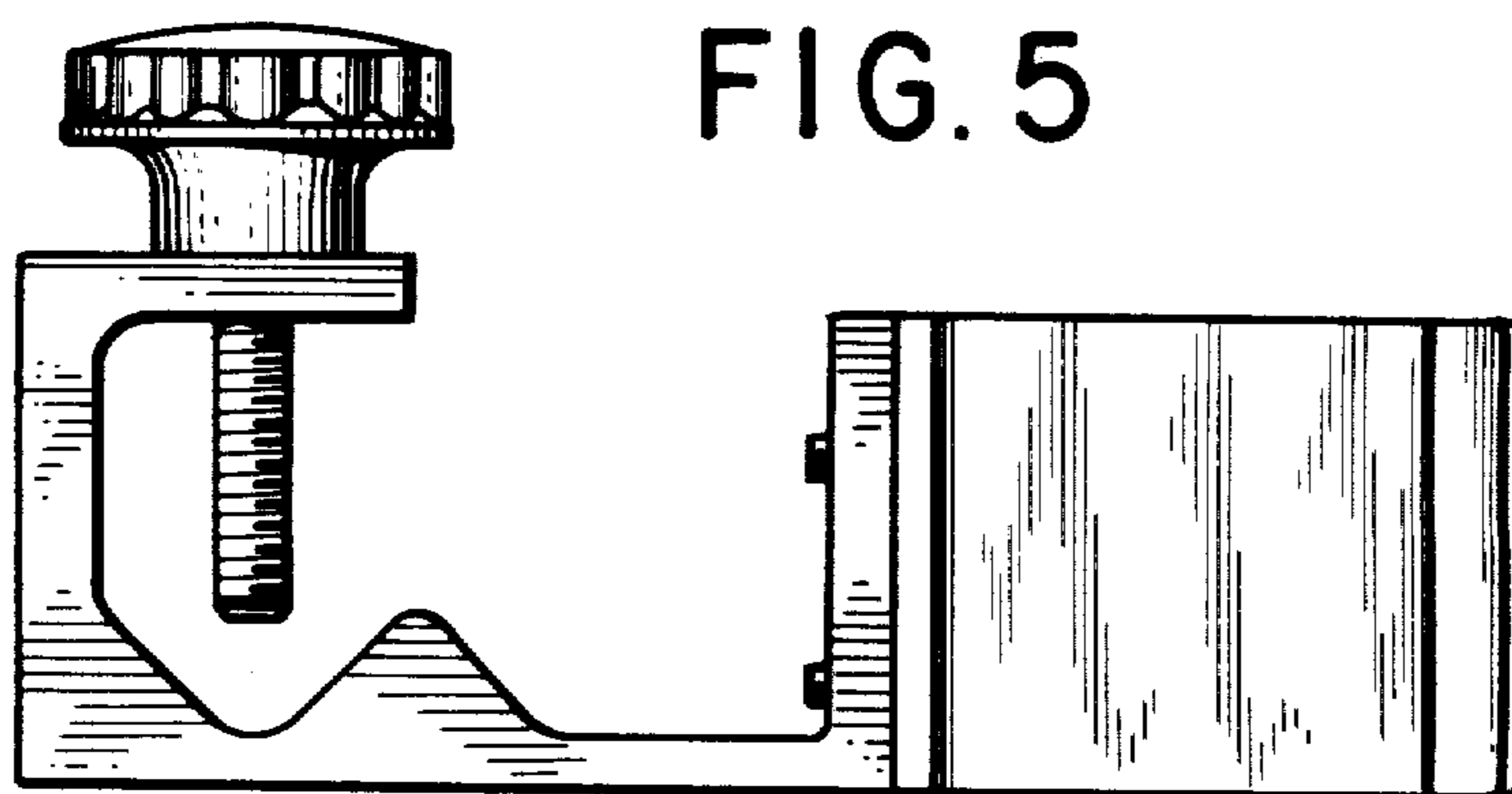


FIG. 6

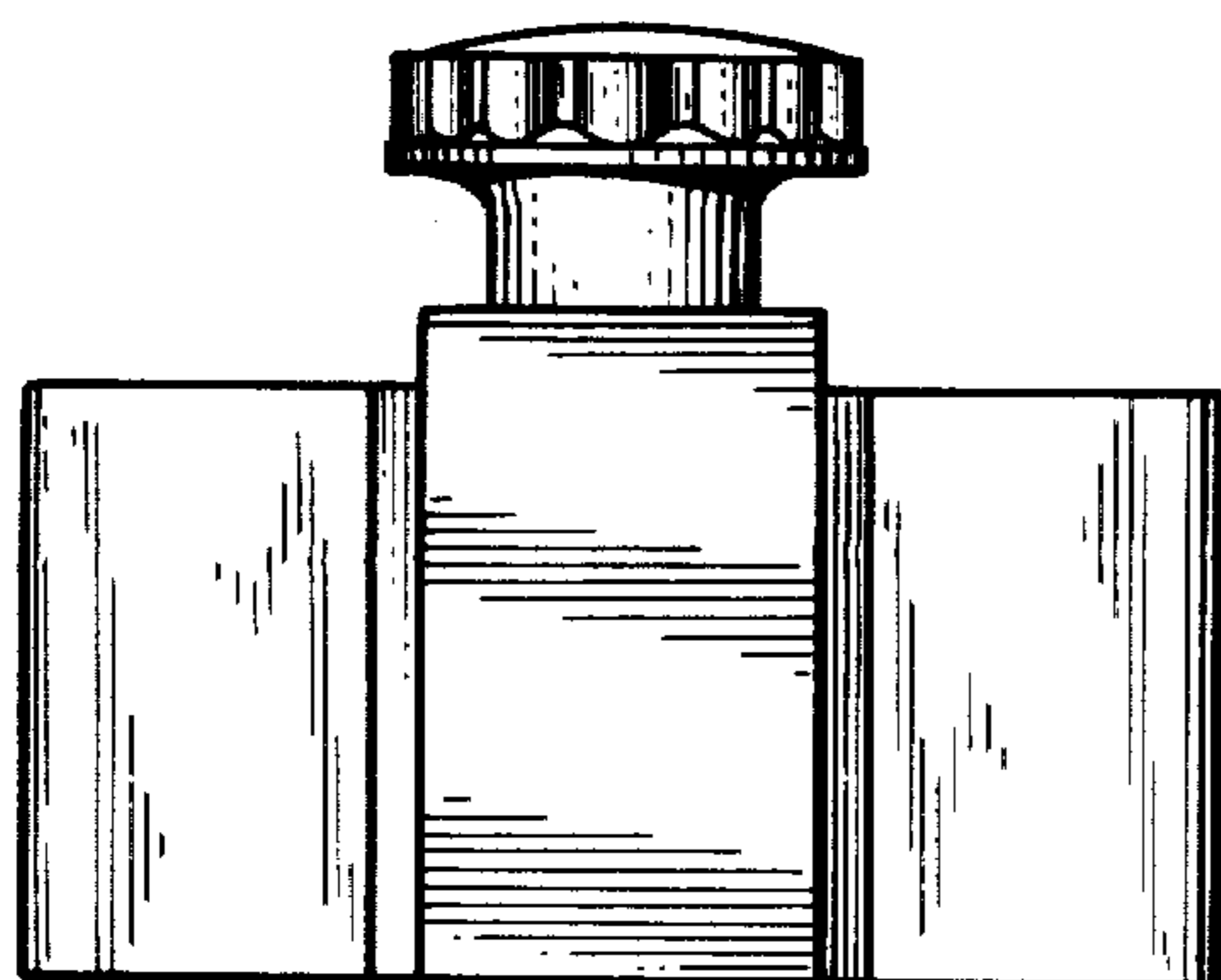


FIG. 7

