

[54] TOGGLE SWITCH GUARD

[76] Inventor: Sanford L. Simons, 9188 S. Turkey Creek Rd., Morrison, Colo. 80465

[**] Term: 14 Years

[21] Appl. No.: 69,628

[22] Filed: Aug. 27, 1979

[51] Int. Cl. D8-09; D13-03

[52] U.S. Cl. D8/350; D8/353; D13/32

[58] Field of Search D8/350-353; D13/32, 37, 38; 174/66, 67; 292/357; 220/3.8, 241, 242

[56] References Cited

U.S. PATENT DOCUMENTS

D. 134,633 12/1942 Krieger D13/32
4,102,471 7/1978 Lore et al. 220/242

OTHER PUBLICATIONS

"Design"; 11/1957, p. 53, Square Wall Plate with Round Opening (center of page).

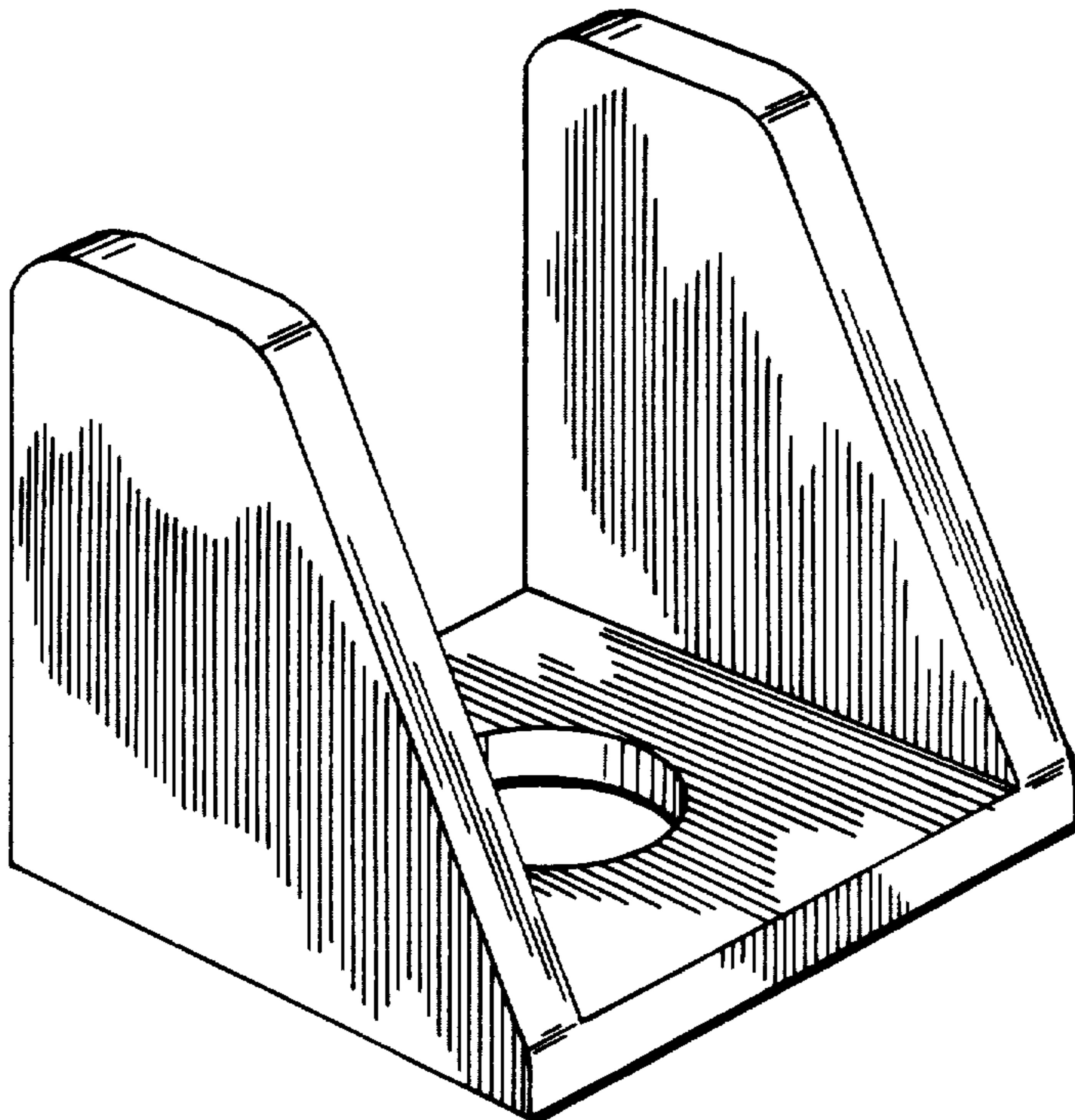
Primary Examiner—B. J. Bullock
Attorney, Agent, or Firm—Max L. Wymore

[57] CLAIM

The ornamental design for a toggle switch guard, as shown and described.

DESCRIPTION

FIG. 1 is an enlarged perspective view of a toggle switch guard showing my new design; FIG. 2 is a side elevational view taken from the right of FIG. 1, the side opposite being a mirror image thereof; FIG. 3 is a front elevational view thereof; FIG. 4 is a top plan view thereof; FIG. 5 is a bottom plan view thereof; and, FIG. 6 is a rear elevational view thereof.



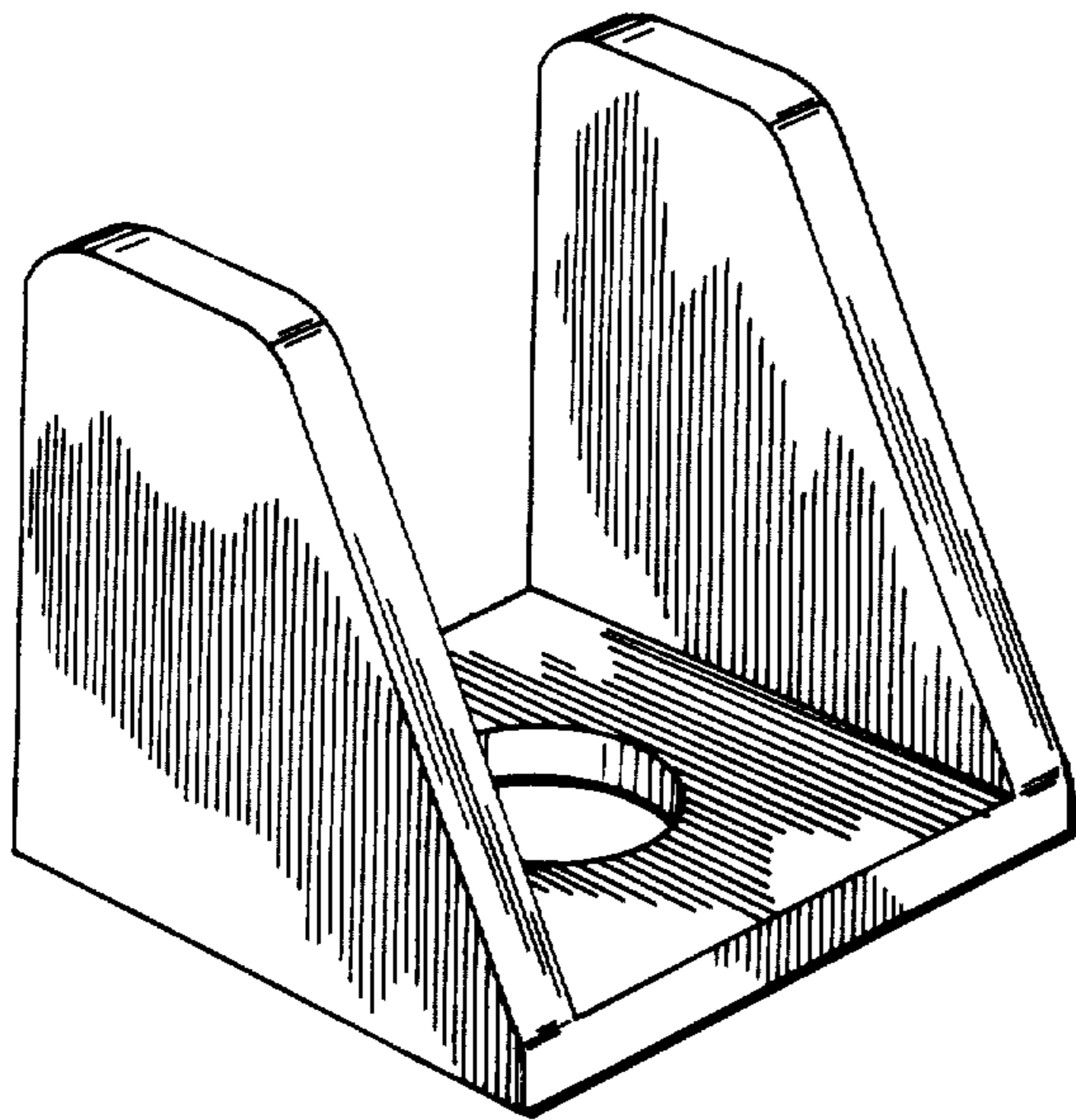


FIG. 1

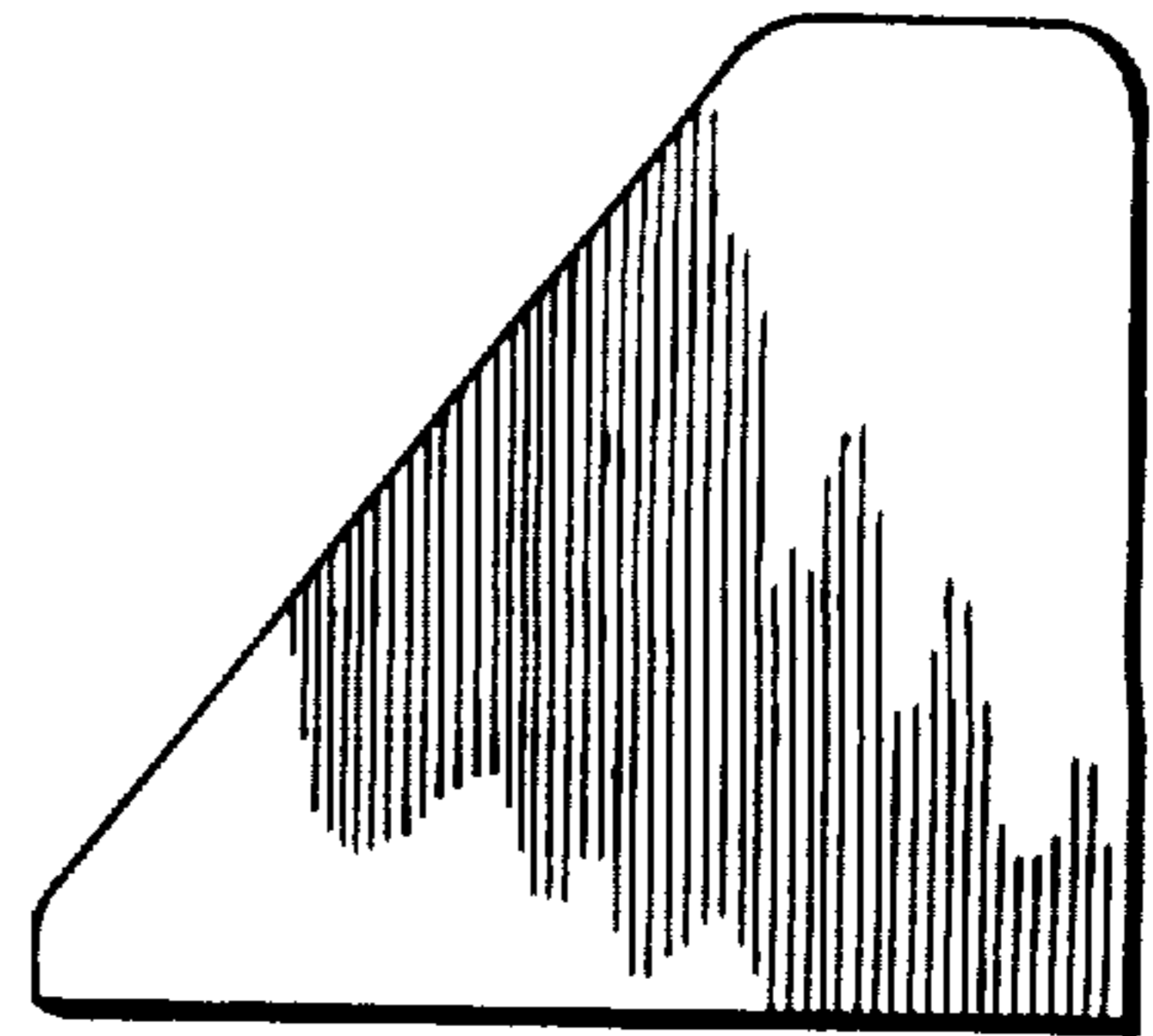


FIG. 2

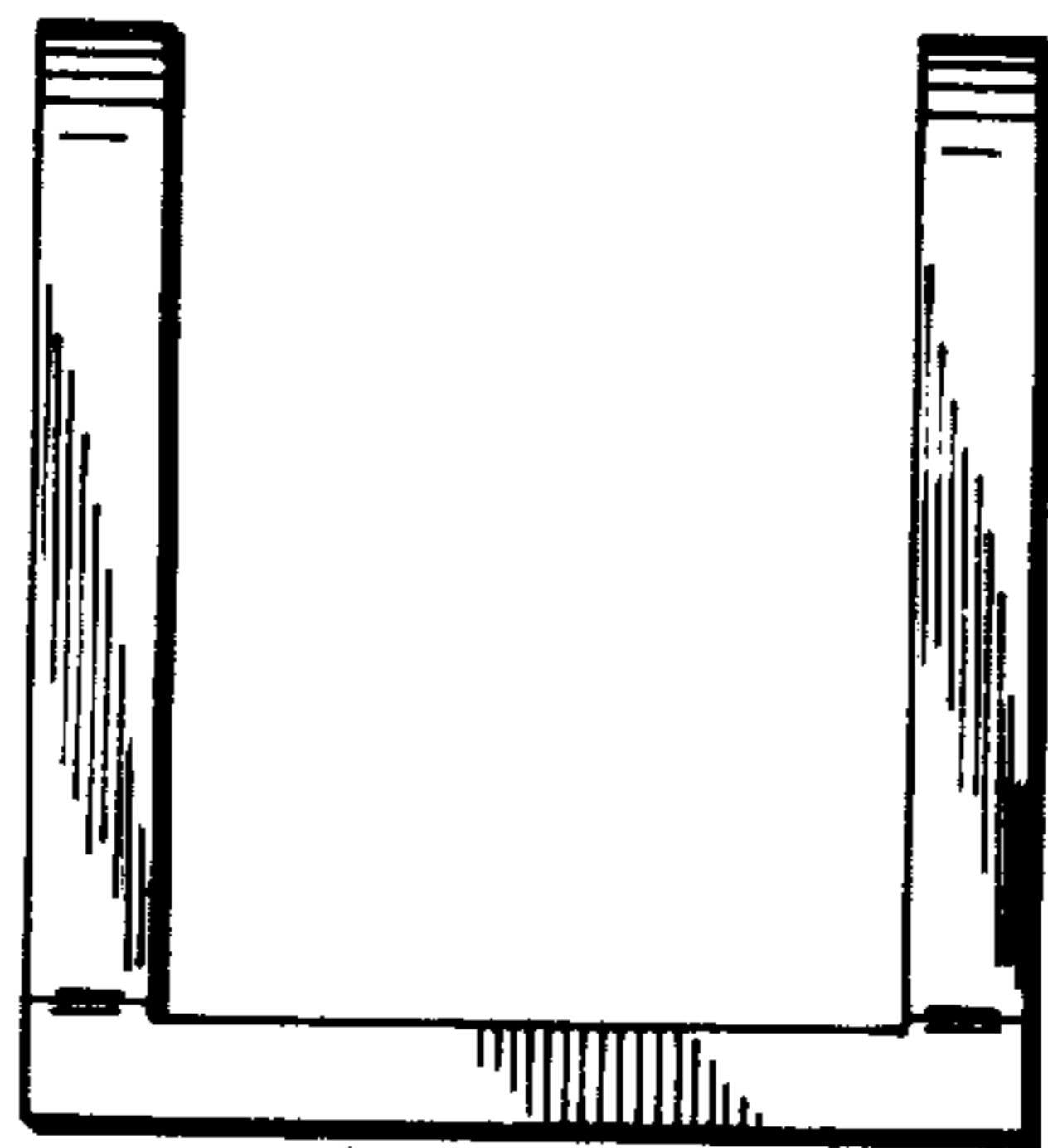


FIG. 3

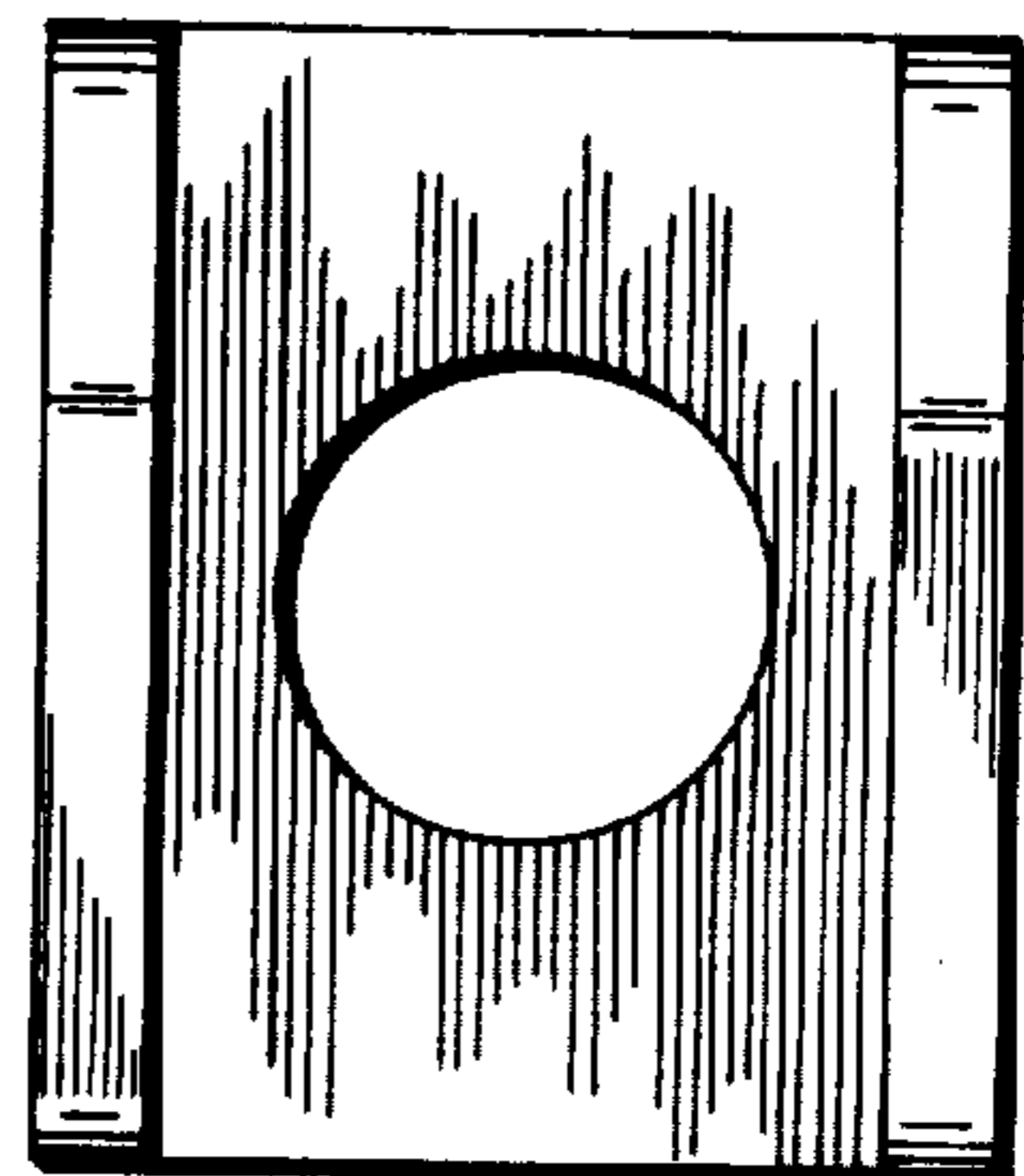


FIG. 4

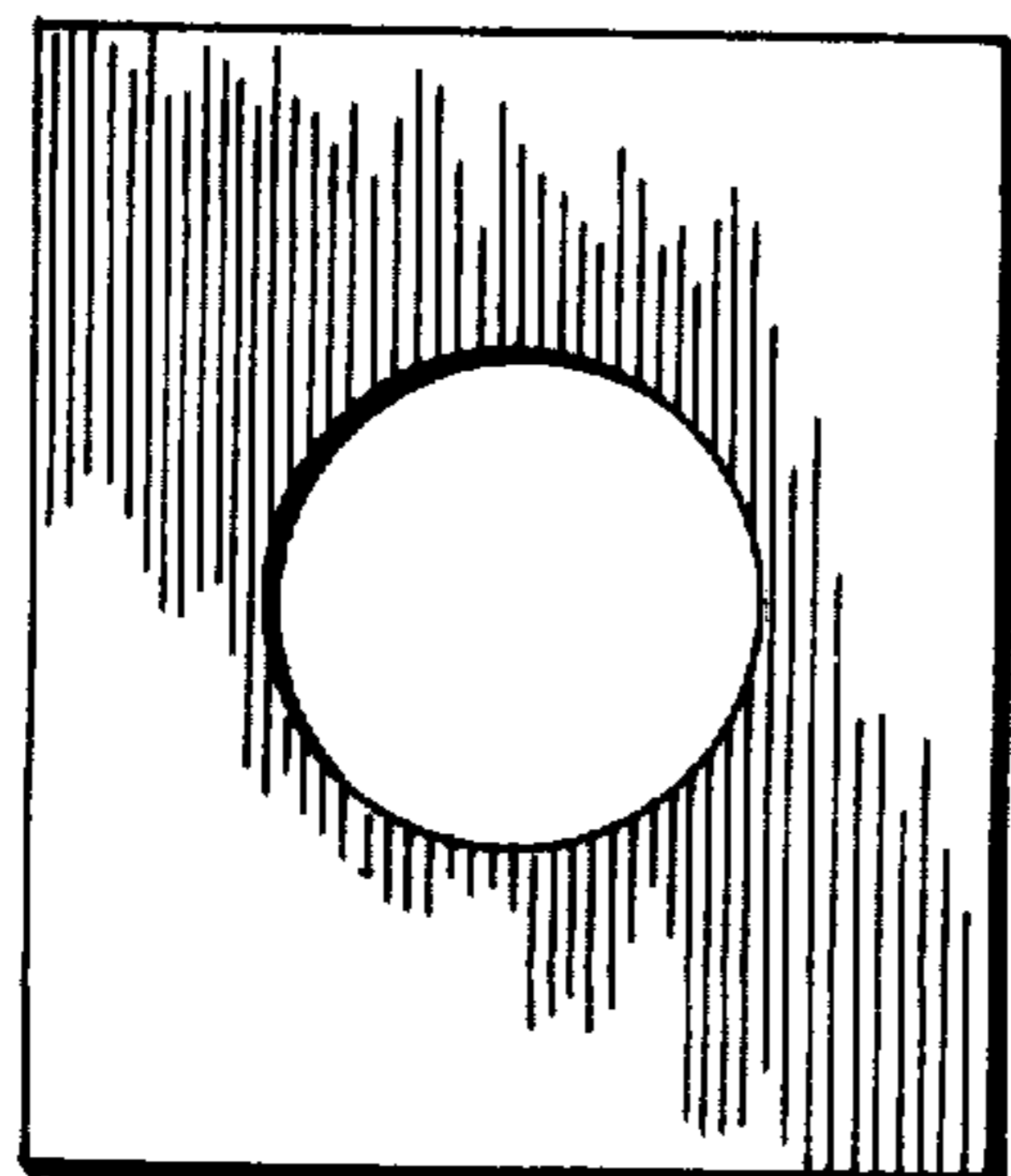


FIG. 5

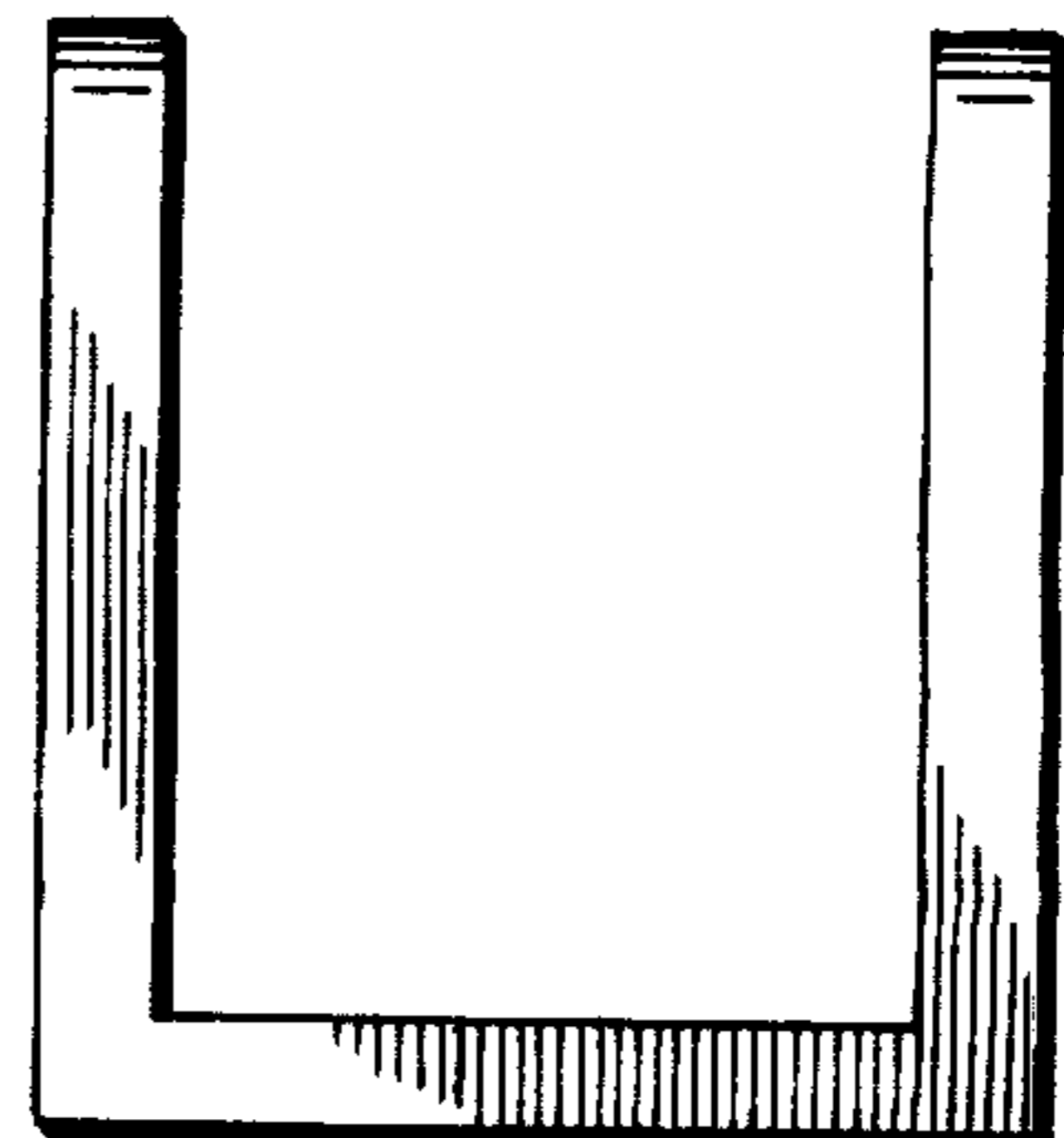


FIG. 6