

[54] **FIRE GRATE FRET**

[76] Inventor: **Robert Hamilton, 5 The Rise,
Elstree, Hertfordshire, England**

[**] Term: **14 Years**

[21] Appl. No.: **897,920**

[22] Filed: **Apr. 19, 1978**

[30] **Foreign Application Priority Data**

Oct. 19, 1977 [GB] United Kingdom 981974

[51] Int. Cl. **D7-08**

[52] U.S. Cl. **D7/207**

[58] Field of Search **D7/206, 207, 212;
D6/120, 121; D8/367, 371, 396; 126/152 R,
152 A, 152 B, 164, 165; 248/205 R, 300, 301,
304, 305, 339, 340**

[56] **References Cited**

U.S. PATENT DOCUMENTS

D. 131,445 2/1942 Keller D8/371
441,511 11/1890 Segur 248/301 X
770,729 9/1904 Moomaw 126/164

FOREIGN PATENT DOCUMENTS

735350 8/1955 United Kingdom 126/164

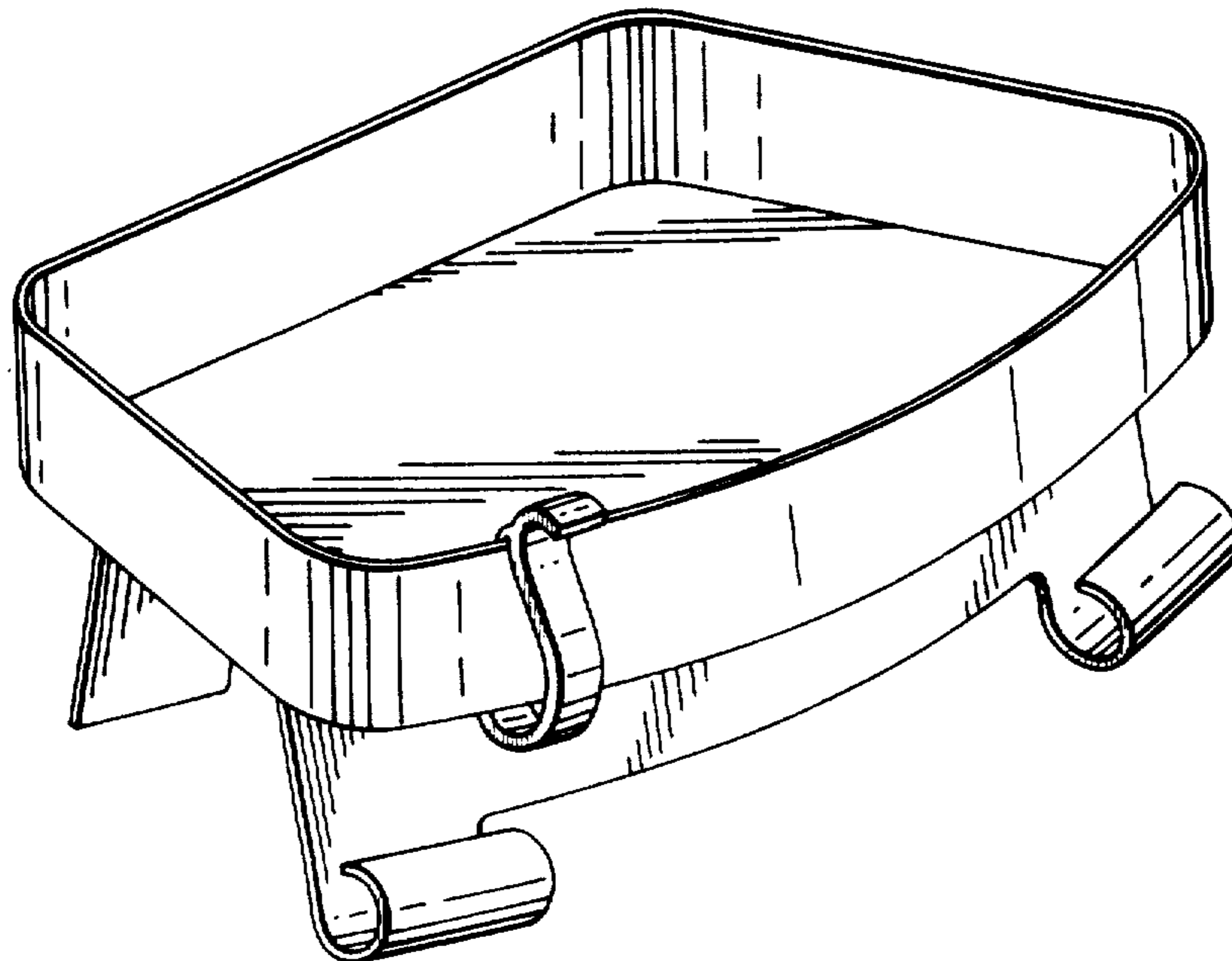
Primary Examiner—Catherine E. Kemper
Attorney, Agent, or Firm—Young & Thompson

[57] **CLAIM**

The ornamental design for a fire grate fret, substantially as shown and described.

DESCRIPTION

FIG. 1 is a side view of a fire grate fret showing my new design;
FIG. 2 is a front elevational view thereof; and
FIG. 3 is a perspective view thereof shown mounted on a fire grate, which fire grate is shown in broken lines for illustrative purposes only and forms no part of the claimed design.



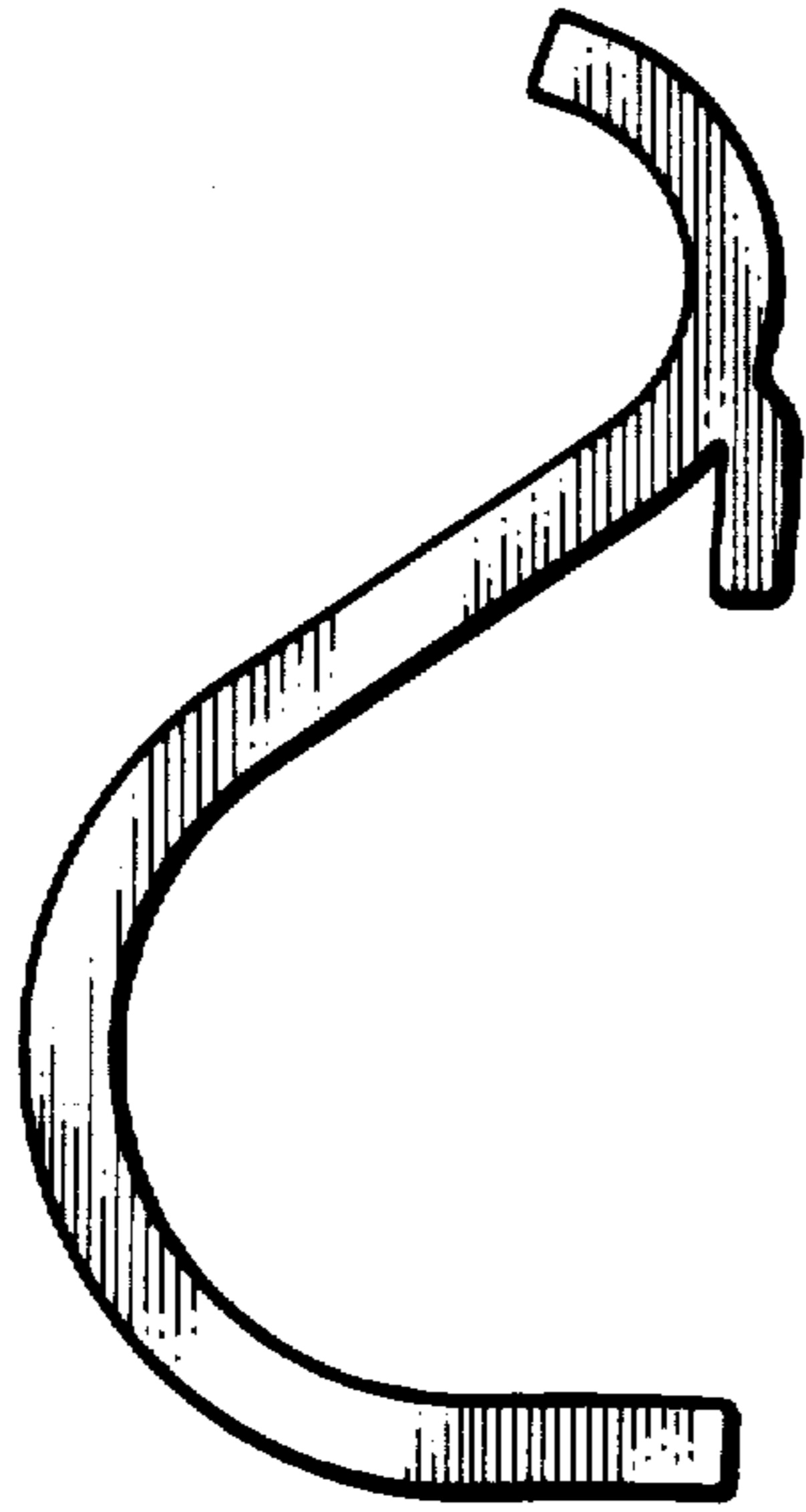


FIG. 1.

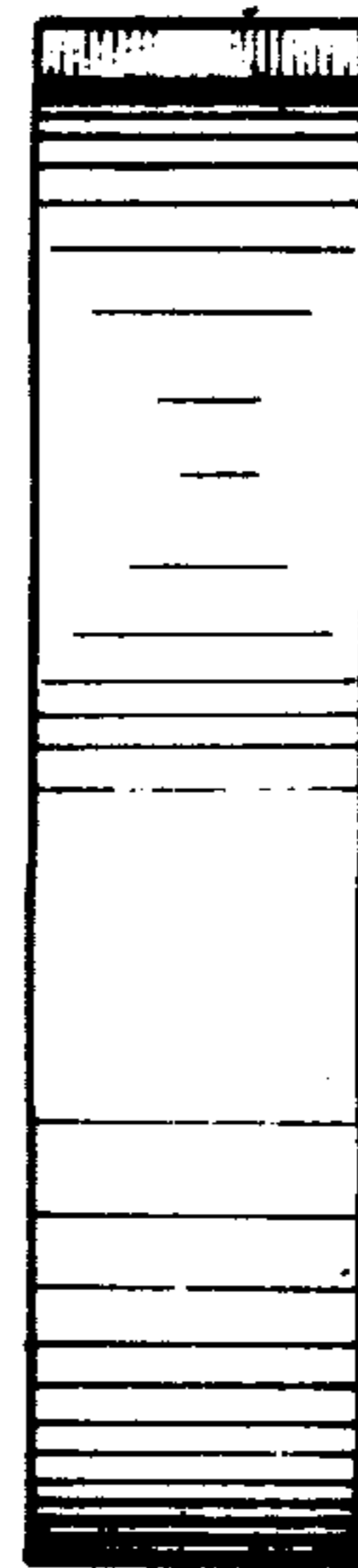


FIG. 2.

