

[54] BARBECUE GRILL

[75] Inventor: Orville W. Larson, Elmhurst, Ill.

[73] Assignee: Beatrice Foods Co., Bristol, Wis.

[\*\*] Term: 14 Years

[21] Appl. No.: 131,473

[22] Filed: Mar. 18, 1980

[51] Int. Cl. .... D7-02

[52] U.S. Cl. .... D7/108

[58] Field of Search ..... D7/107, 108, 109, 110;  
126/25 R, 25 A, 25 AA, 25 B, 25 C, 29, 30, 9 R,  
9 A, 9 B

[56] References Cited

U.S. PATENT DOCUMENTS

D. 252,248 7/1979 Huff ..... D7/108

Primary Examiner—Catherine Kemper  
Attorney, Agent, or Firm—George J. Netter

[57] CLAIM

The ornamental design for a barbecue grill, as shown.

DESCRIPTION

FIG. 1 is a perspective view of a barbecue grill showing my new design.

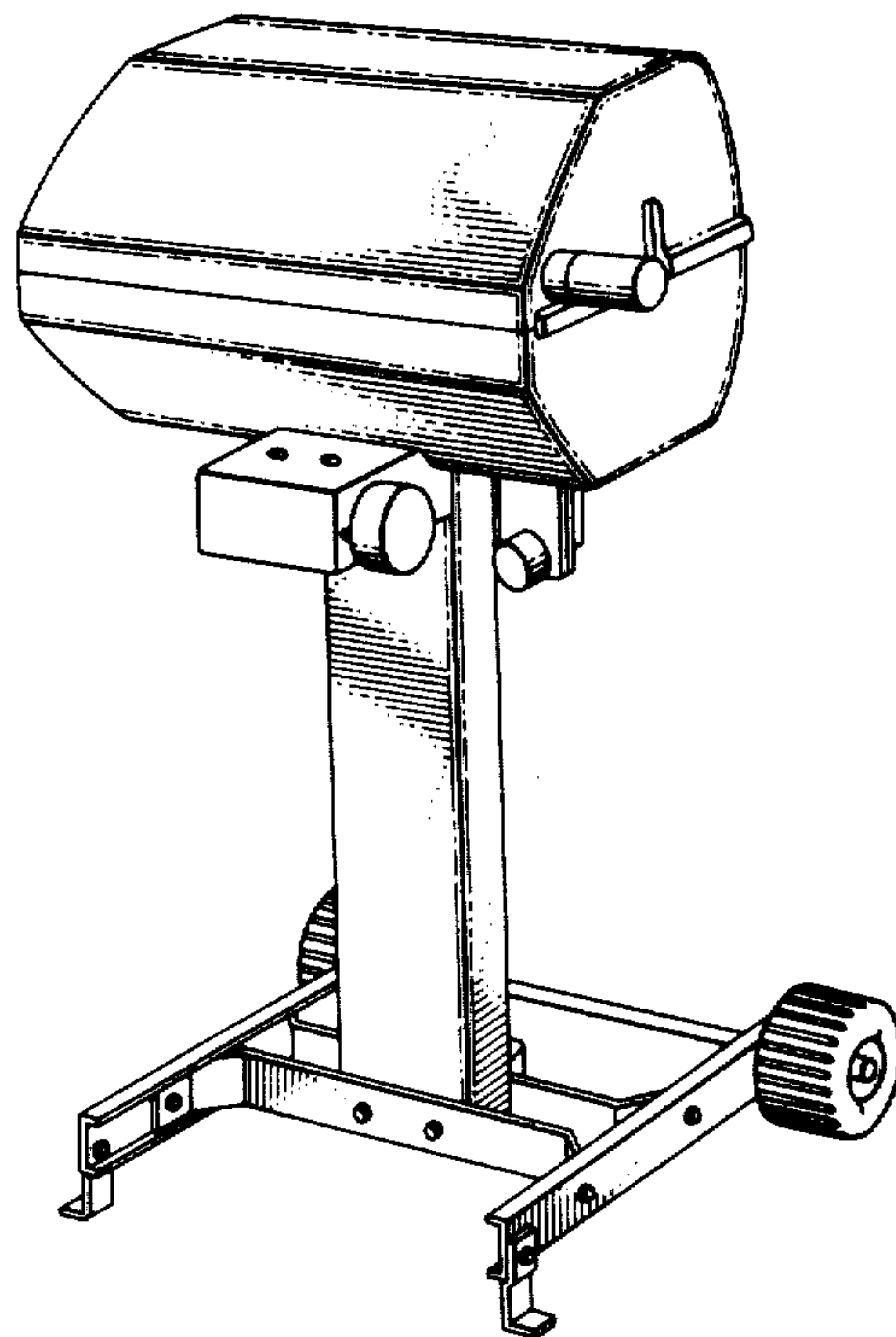
FIG. 2 is a right side elevational view thereof.

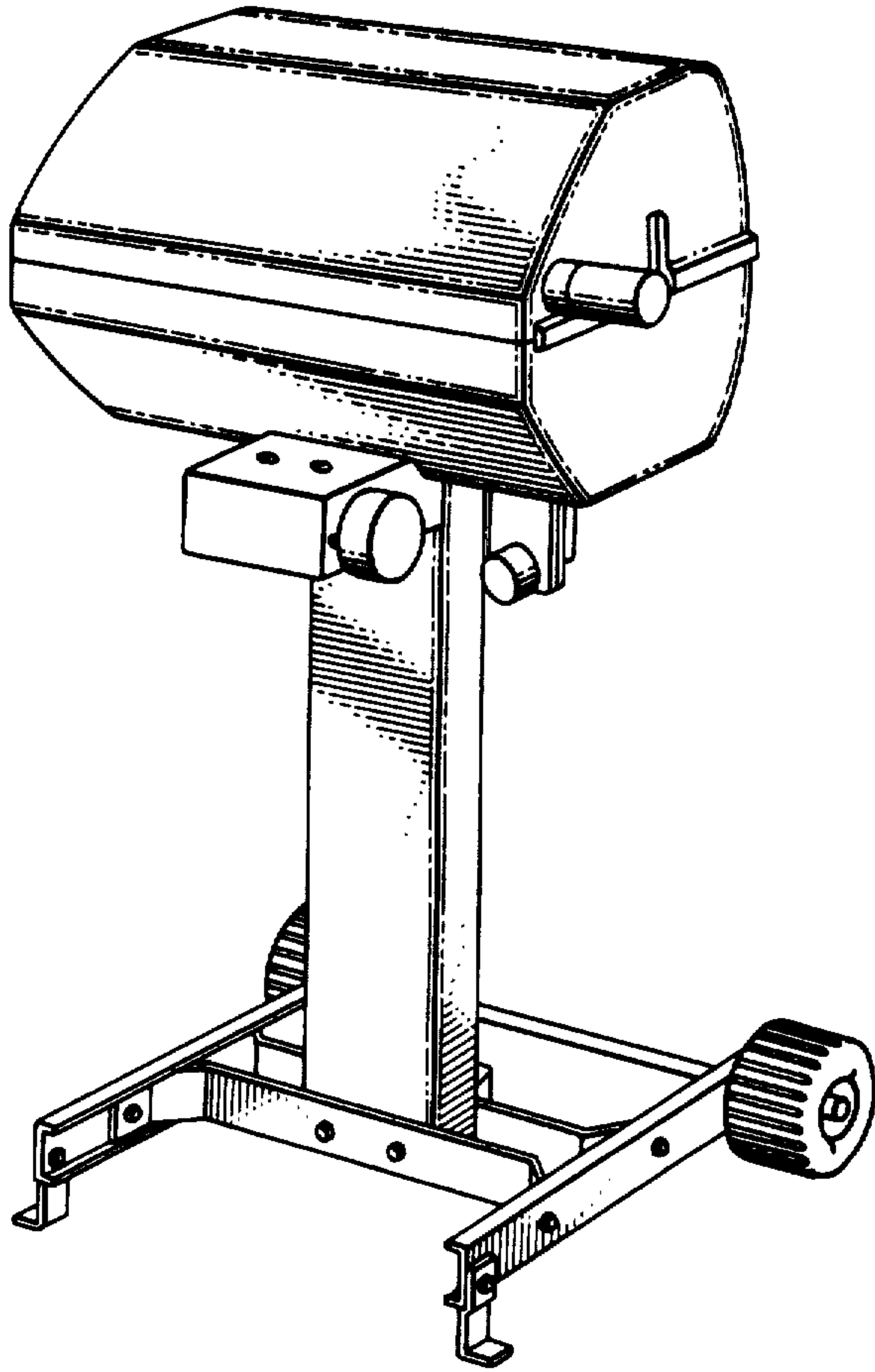
FIG. 3 is a left side elevational view thereof.

FIG. 4 is a top plan view thereof.

FIG. 5 is a rear elevational view thereof.

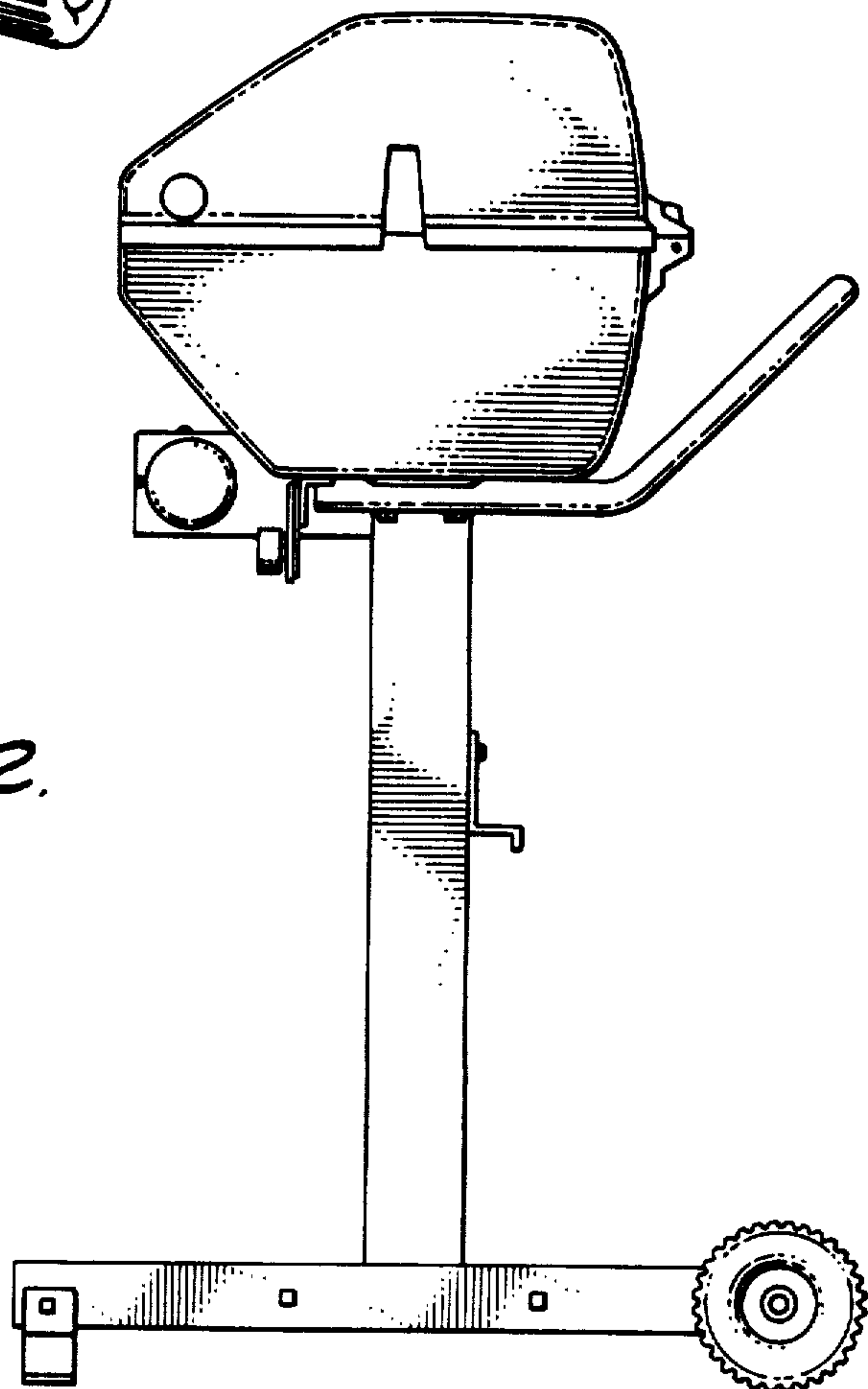
FIG. 6 is a bottom plan view thereof.

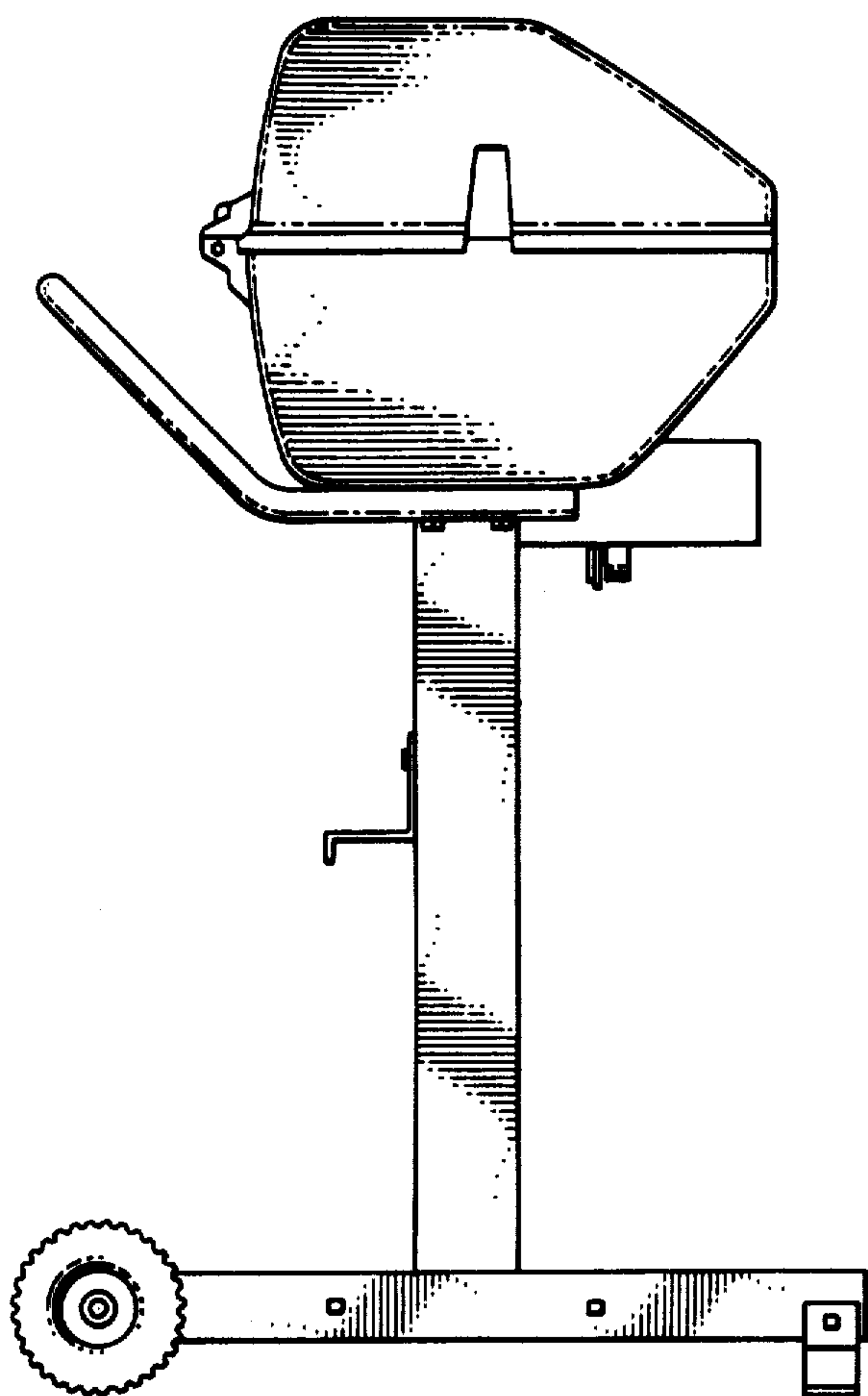




*FIG. 1.*

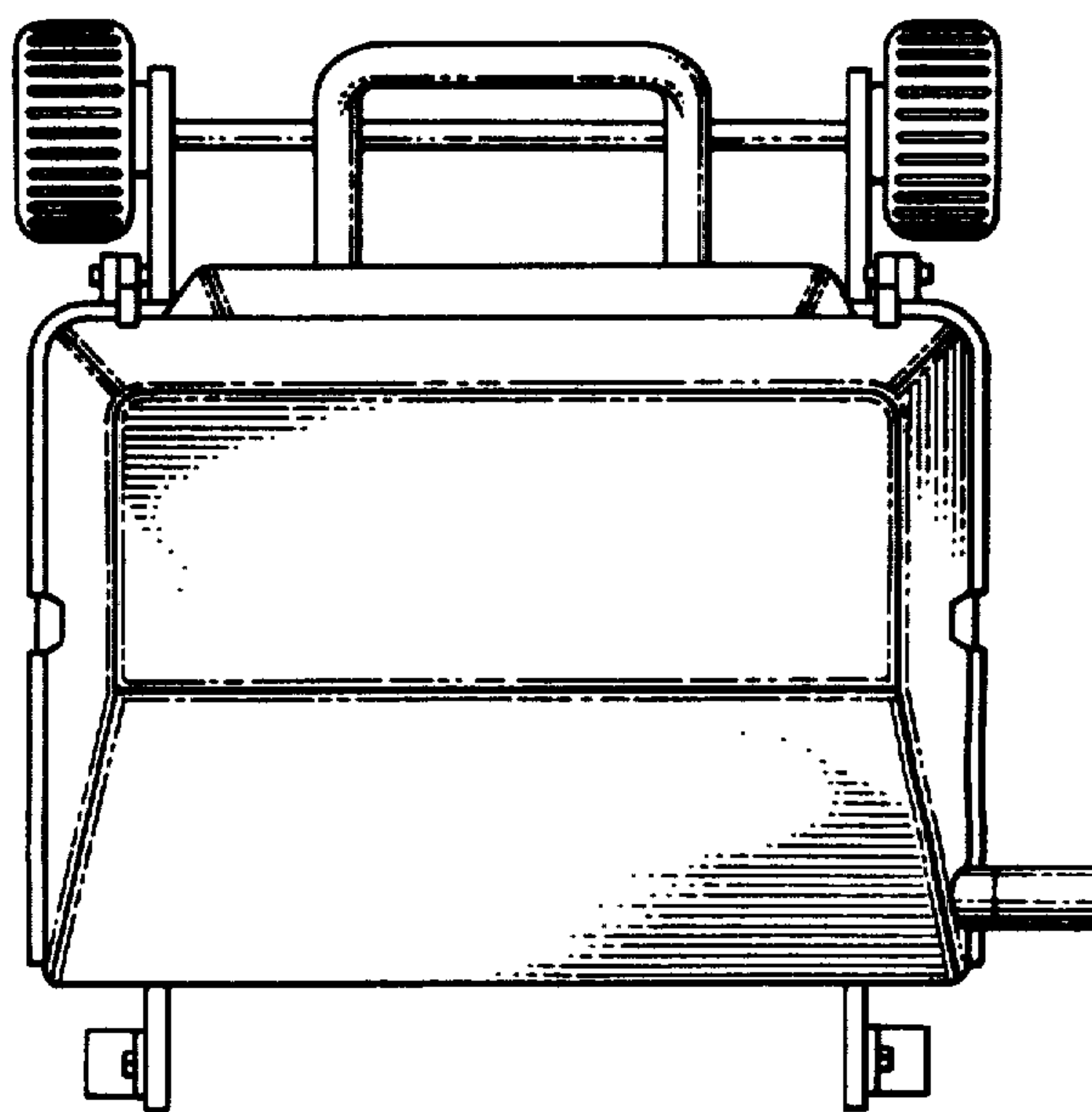
*FIG. 2.*

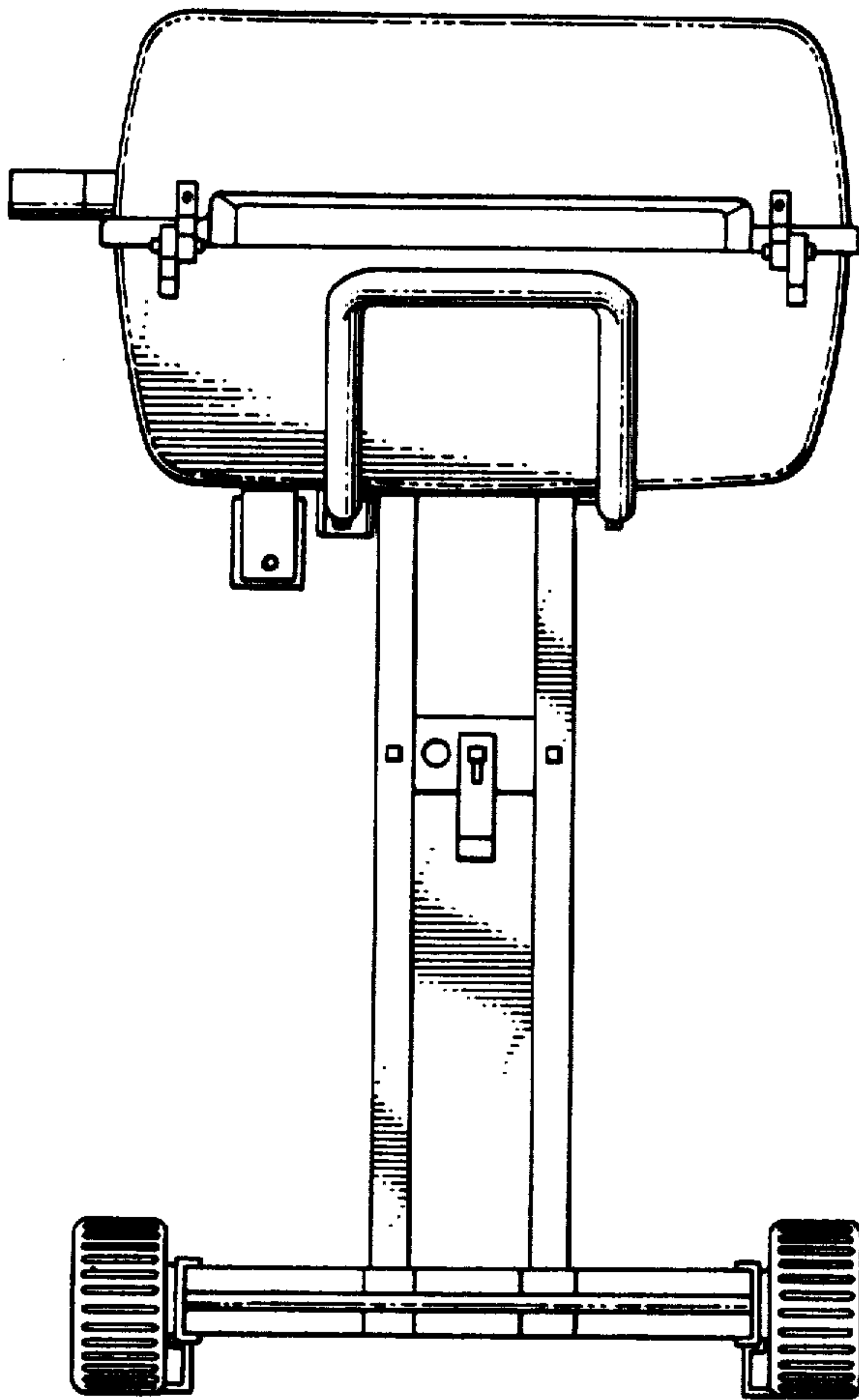




*FIG. 3.*

*FIG. 4.*





*FIG. 5.*

*FIG. 6.*

