

[54] **PASTRY CUTTER OR THE LIKE**

[75] Inventor: **Pieter K. J. De Coster**, Aalst, Belgium

[73] Assignee: **Dart Industries Inc.**, Los Angeles, Calif.

[**] Term: **14 Years**

[21] Appl. No.: **66,902**

[22] Filed: **Aug. 16, 1979**

[51] Int. Cl. **D07-04**

[52] U.S. Cl. **D7/106**

[58] Field of Search **D7/106, 101; 30/306, 30/307; 17/29**

4,020,550 5/1977 Okada 30/292 X

FOREIGN PATENT DOCUMENTS

715459 9/1931 France 30/307

Primary Examiner—Winifred E. Herrmann
Attorney, Agent, or Firm—Leigh B. Taylor

[57] **CLAIM**

The ornamental design for a pastry cutter or the like, substantially as shown.

DESCRIPTION

FIG. 1 is a perspective view of a pastry cutter or the like showing my new design;

FIG. 2 is an elevational view thereof from the left end of FIG. 1;

FIG. 3 is a side elevational view thereof;

FIG. 4 is an elevational view thereof from the right end of FIG. 1;

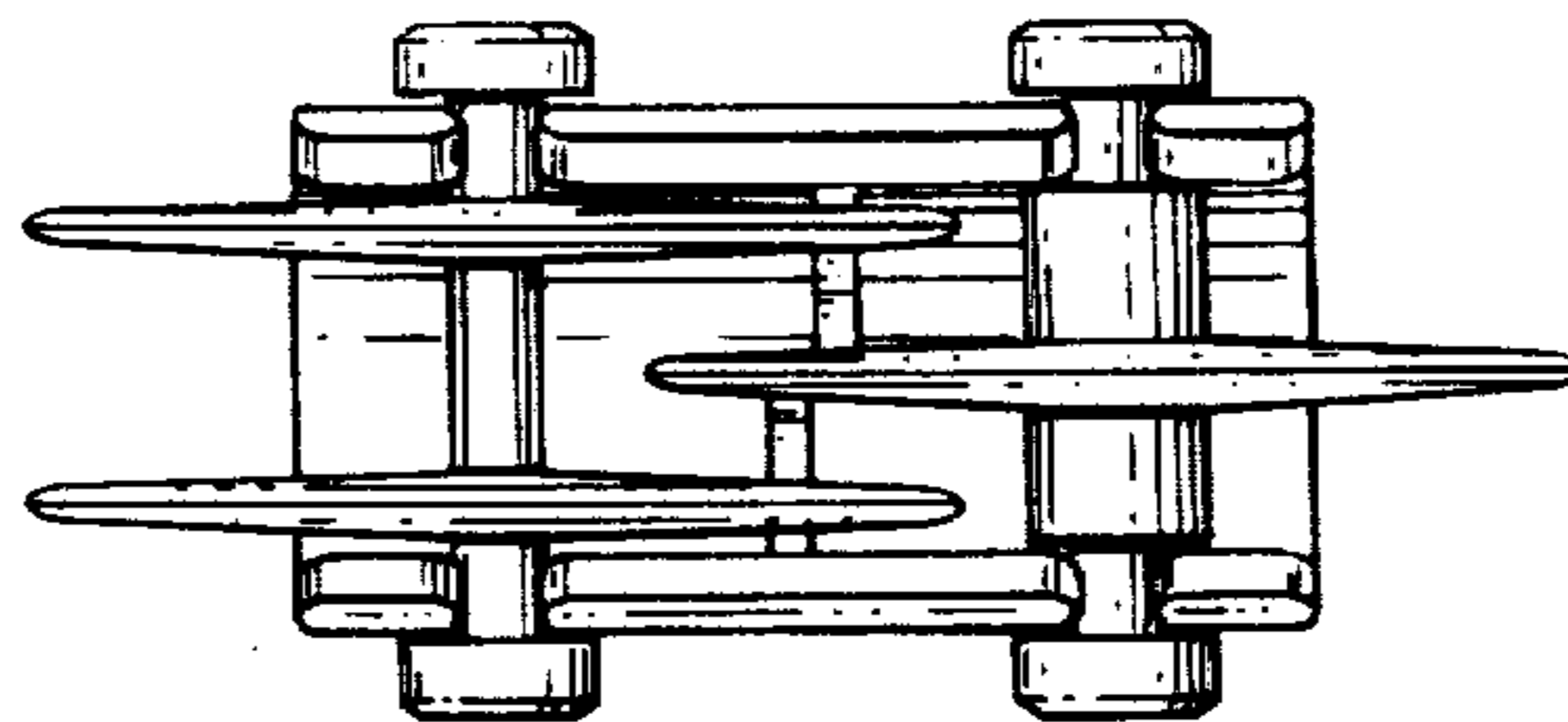
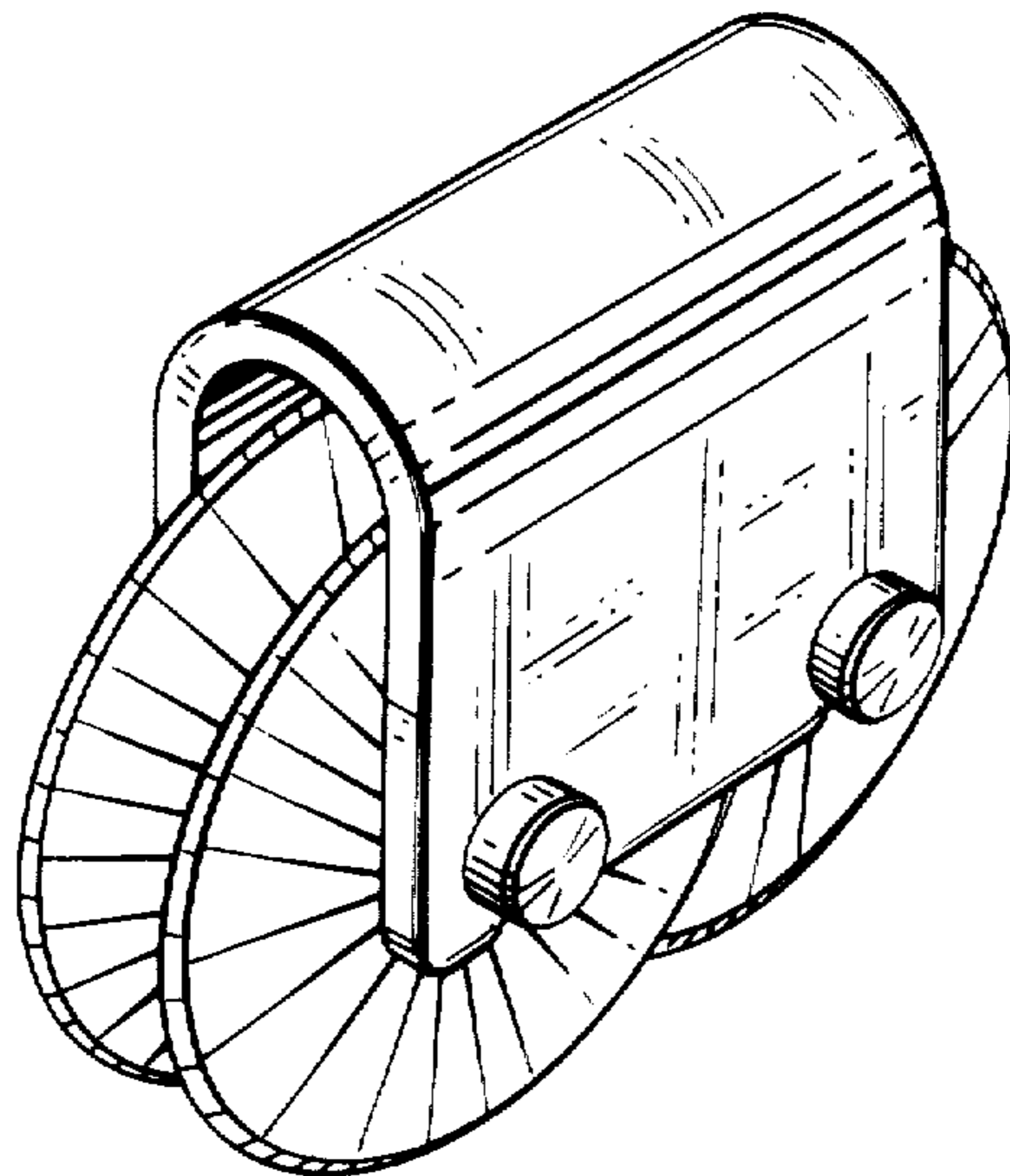
FIG. 5 is a top plan view thereof; and

FIG. 6 is a bottom plan view thereof.

[56] **References Cited**

U.S. PATENT DOCUMENTS

895,969	8/1908	Coyle	30/307
1,589,208	6/1926	Mitchell	17/29
1,997,795	4/1935	Inman	17/30



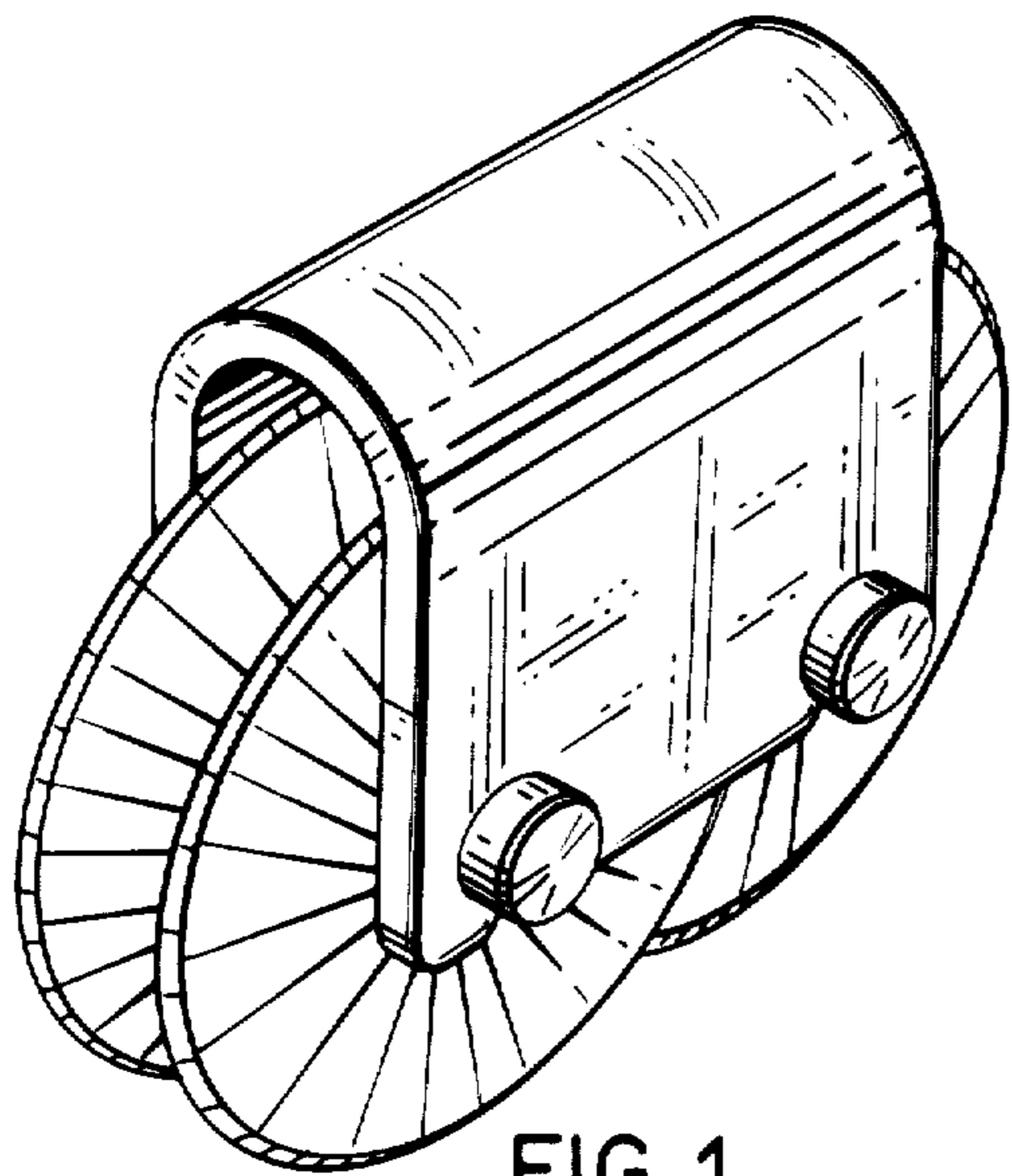


FIG. 1

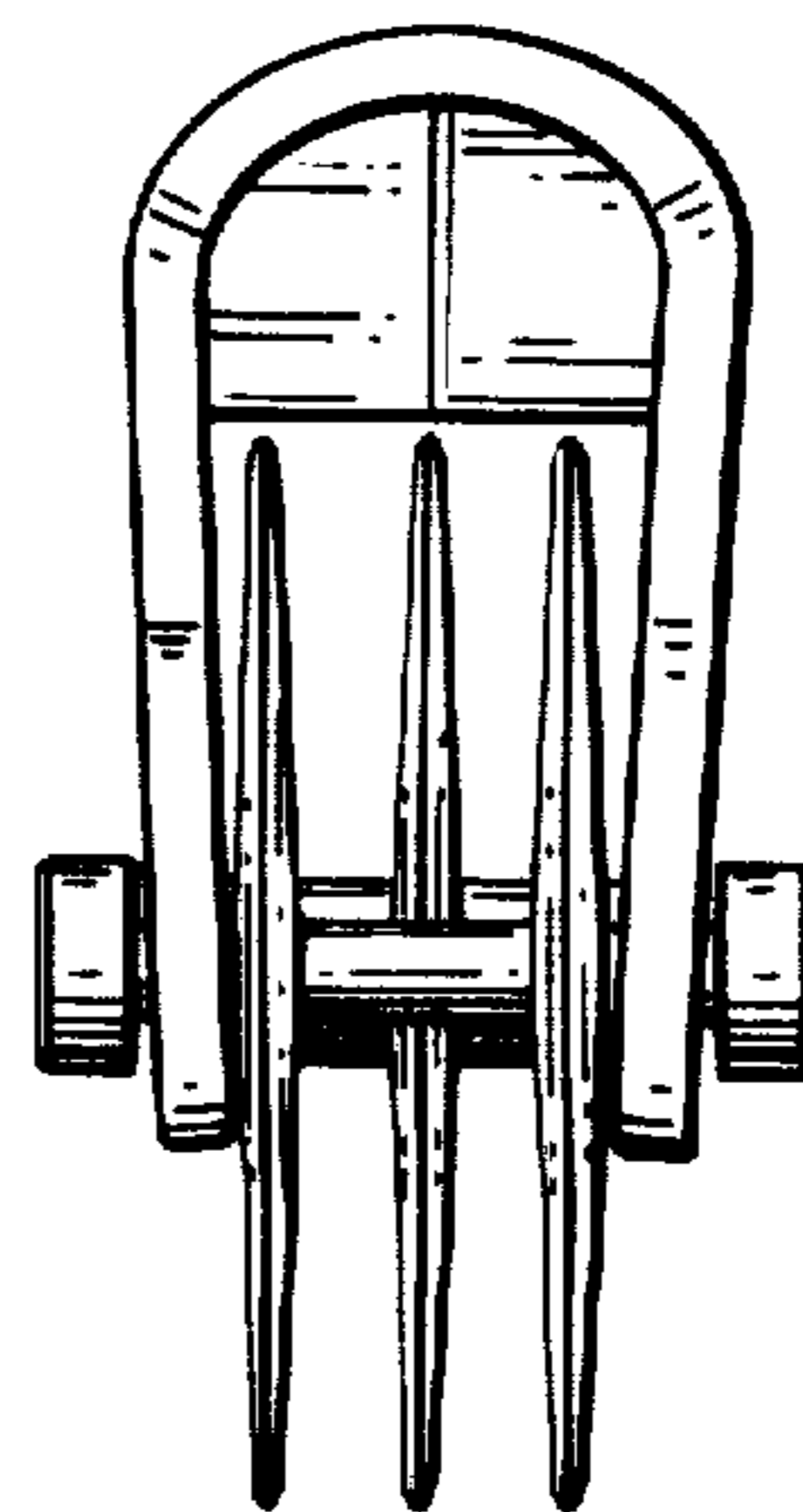


FIG. 2

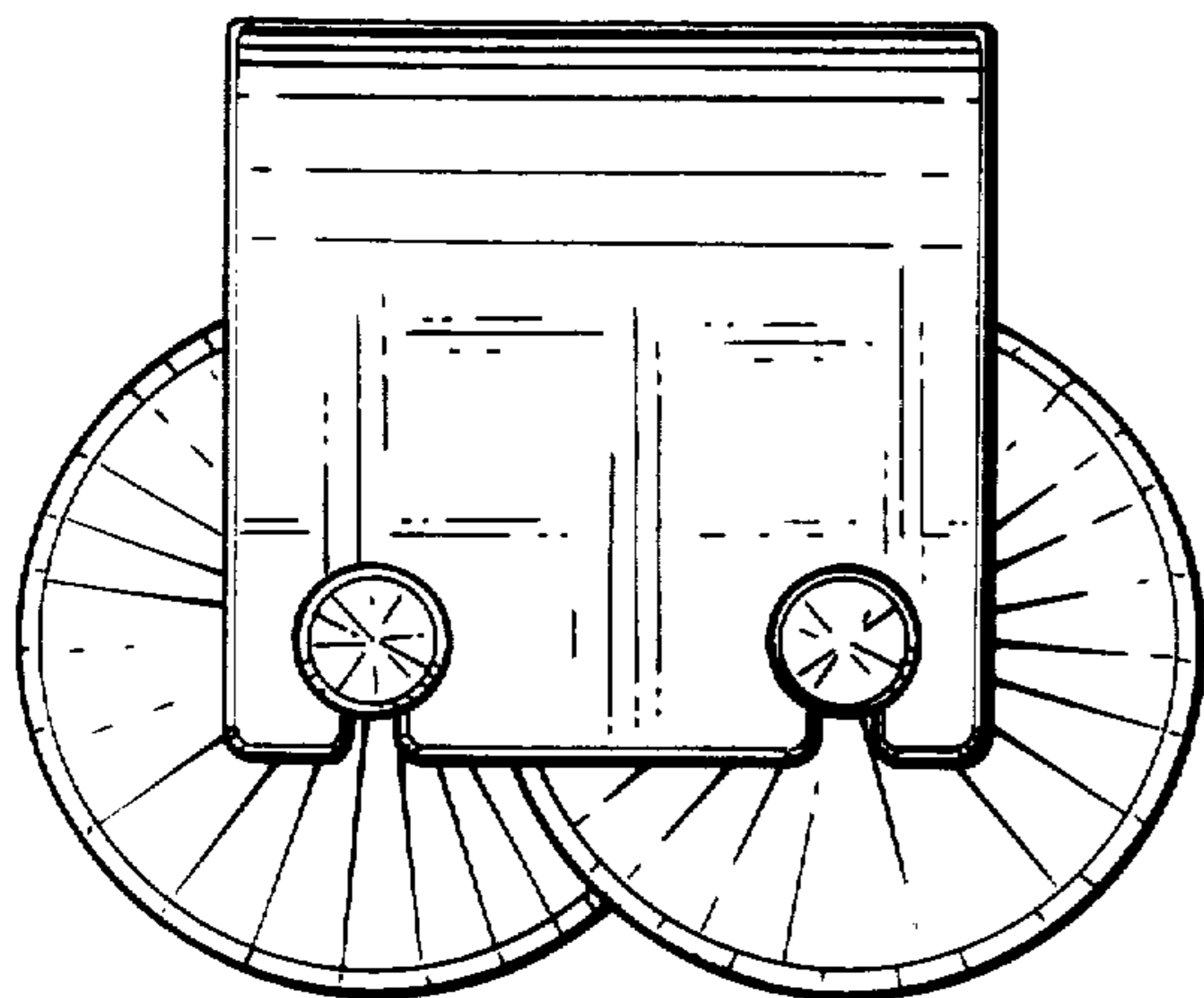


FIG. 3

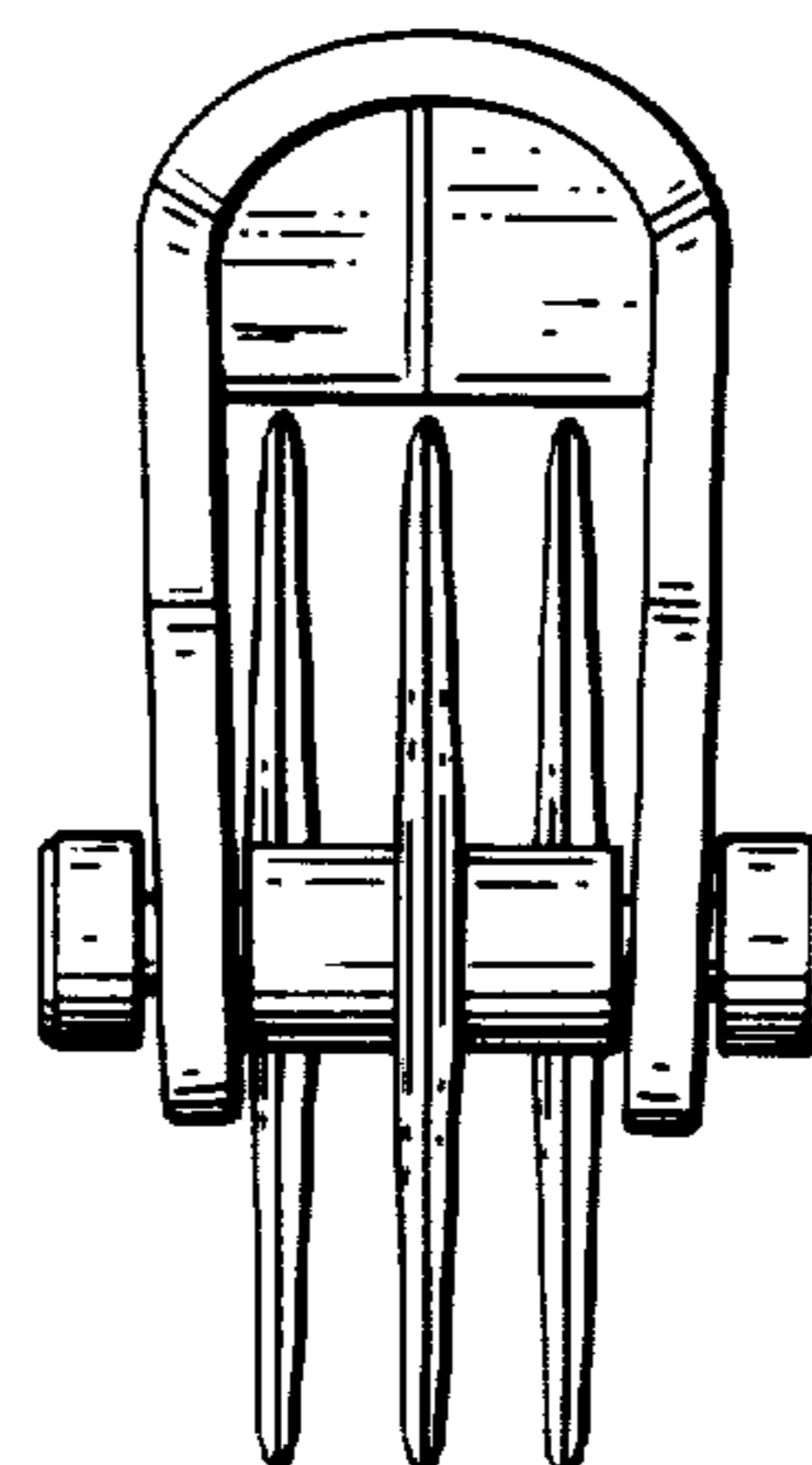


FIG. 4

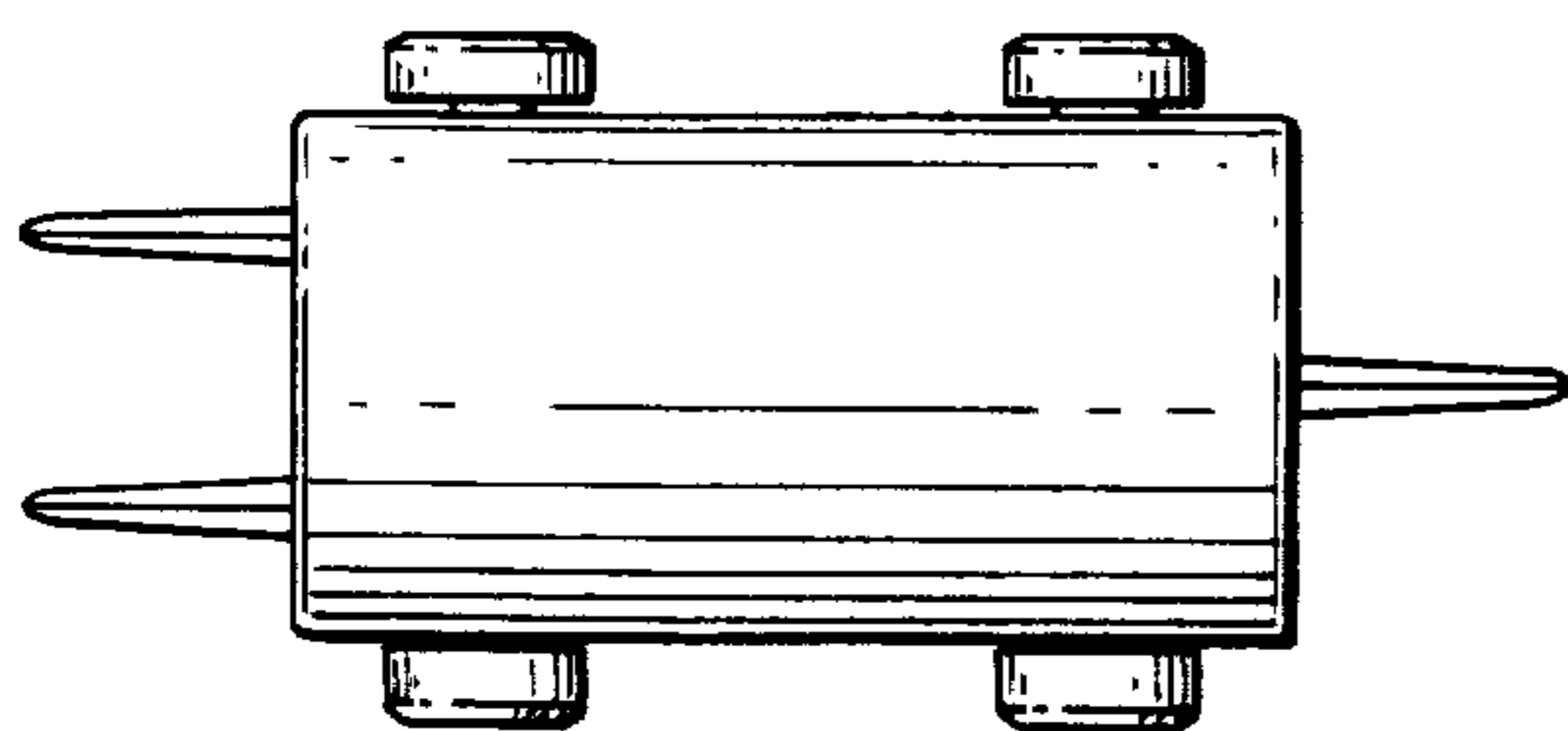


FIG. 5

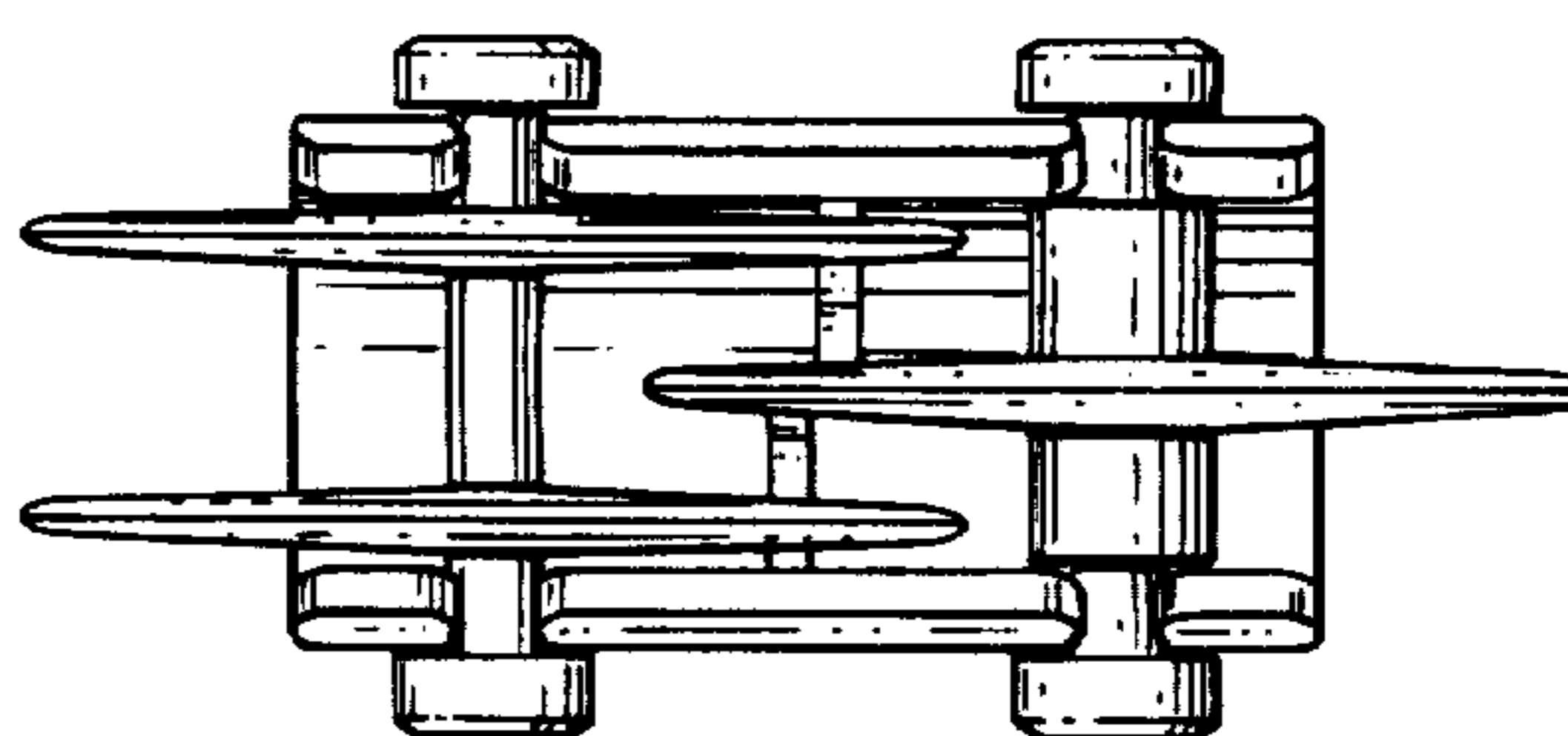


FIG. 6