

[54] STRAWBERRY HULLER OR THE LIKE

[75] Inventor: Rino Conti, Stoughton, Mass.

[73] Assignee: Dart Industries Inc., Los Angeles, Calif.

[**] Term: 14 Years

[21] Appl. No.: 60,556

[22] Filed: Jul. 25, 1979

[51] Int. Cl. D07-04

[52] U.S. Cl. D7/105

[58] Field of Search D7/105, 99, 106; 30/113.2; 294/99 R, 25, 33

[56] References Cited

U.S. PATENT DOCUMENTS

D. 193,571 9/1962 Minnick D7/105

838,662 12/1906 Stephens D7/105 X
2,331,604 10/1943 Gamache et al. D7/105 X
2,376,135 5/1945 Frasher D7/105 X

FOREIGN PATENT DOCUMENTS

626707 9/1927 France 294/99 R

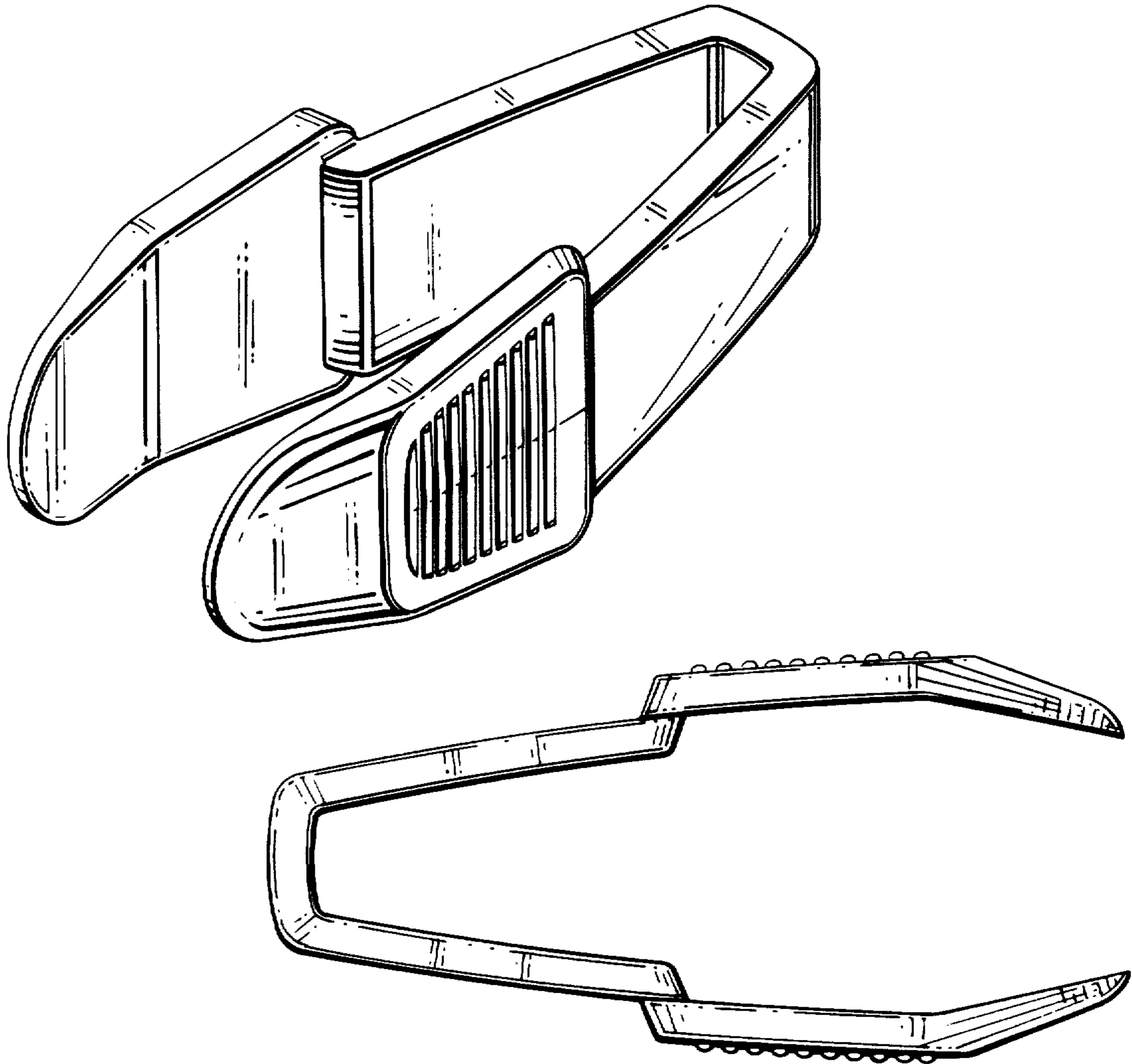
Primary Examiner—Winifred E. Herrmann
Attorney, Agent, or Firm—Leigh B. Taylor

[57] CLAIM

The ornamental design for a strawberry huller or the like, substantially as shown.

DESCRIPTION

FIG. 1 is a top perspective view of a strawberry huller or the like showing my new design;
FIG. 2 is a top plan view thereof;
FIG. 3 is a front elevational view thereof;
FIG. 4 is a side elevational view thereof; and
FIG. 5 is a rear elevational view thereof.



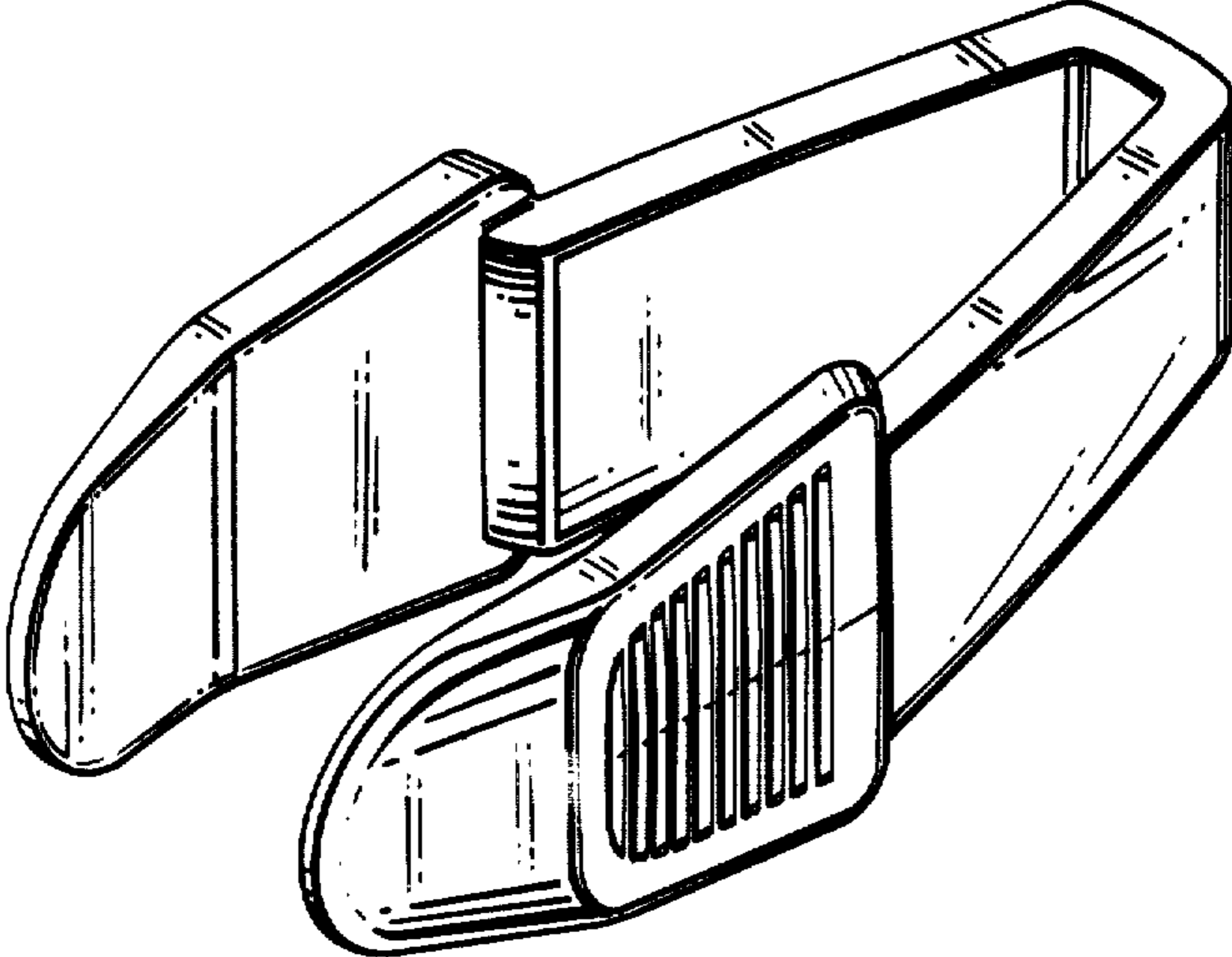


FIG. 1

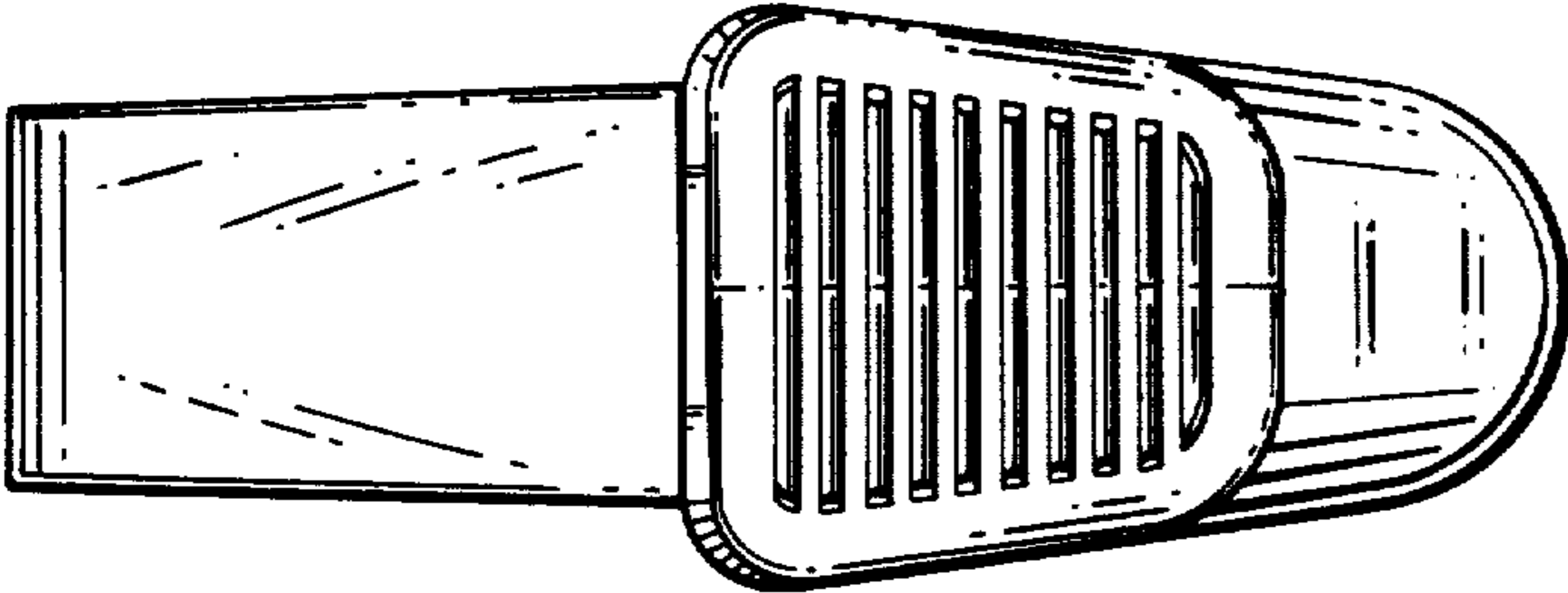


FIG. 2

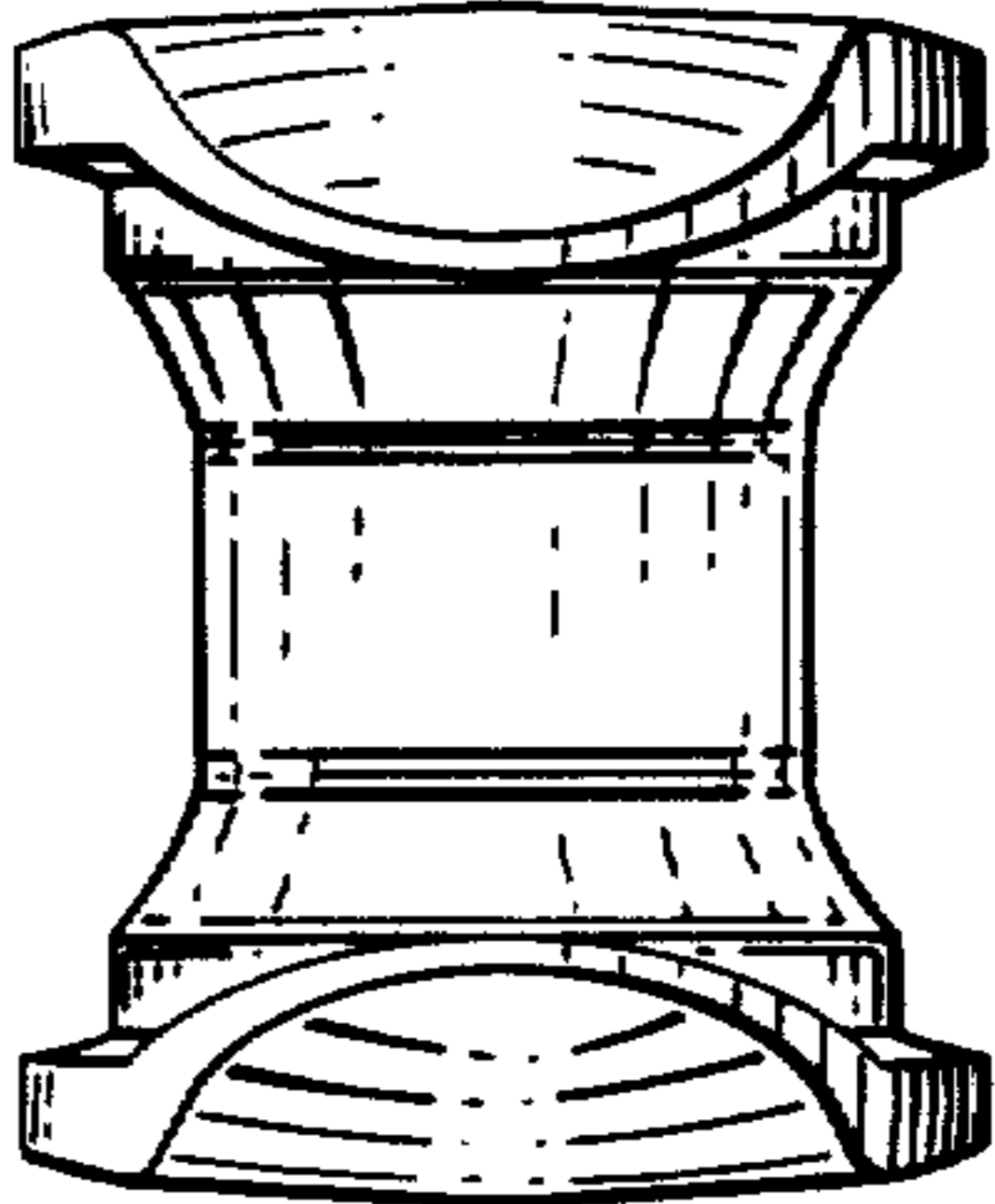


FIG. 3

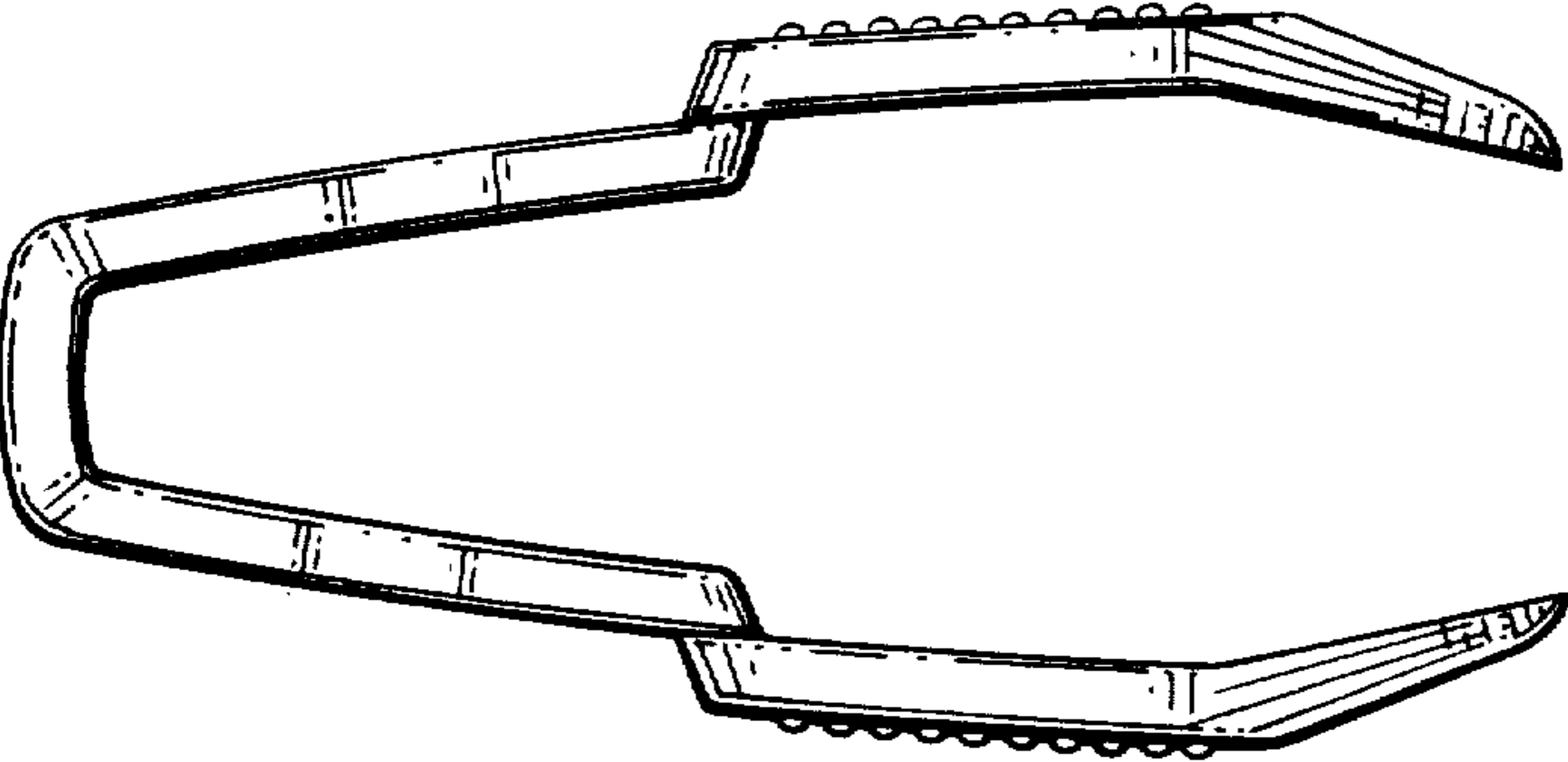


FIG. 4

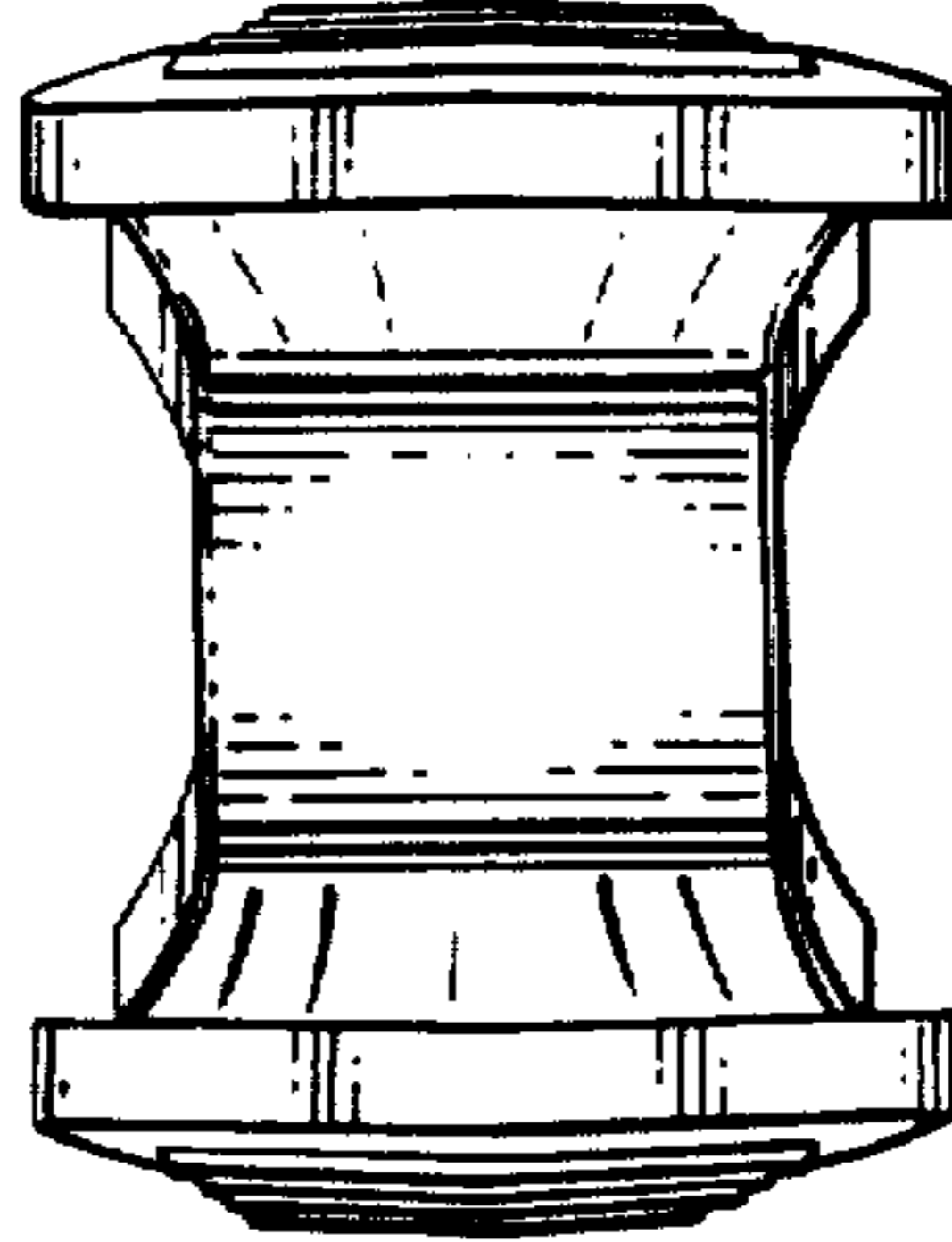


FIG. 5