

[54] COMBINED COOKING, ROASTING AND SHISHKEBOB PAN

[76] Inventors: B. Paul Lee, deceased, late of Aurora, Colo.; by Esther M. Lee, personal representative, 1085 Dawson, Aurora, Colo. 80011

[\*\*] Term: 14 Years

[21] Appl. No.: 938,319

[22] Filed: Aug. 30, 1978

[51] Int. Cl. .... D07-02

[52] U.S. Cl. .... D7/85; D7/41; D7/129; 99/419

[58] Field of Search ..... D7/41, 96, 85, 99, 87, D7/129; D15/92, 104, 121; 99/419, 339, 340

[56] References Cited

U.S. PATENT DOCUMENTS

D. 183,005	6/1958	Krause	.....	D7/129
D. 187,237	2/1960	Kindelberger	.....	D7/87 X
D. 252,128	6/1979	Olson	.....	D7/41 X

1,748,741	2/1930	Tanaki	.....	99/419
3,028,802	4/1962	Schneider	.....	99/340 X
3,453,949	7/1969	Levin	.....	D7/85 X
3,802,330	4/1974	Graziani	.....	99/419
4,121,510	10/1978	Frederick	.....	D7/96 X

FOREIGN PATENT DOCUMENTS

148338	1/1937	Austria	.....	99/419
--------	--------	---------	-------	--------

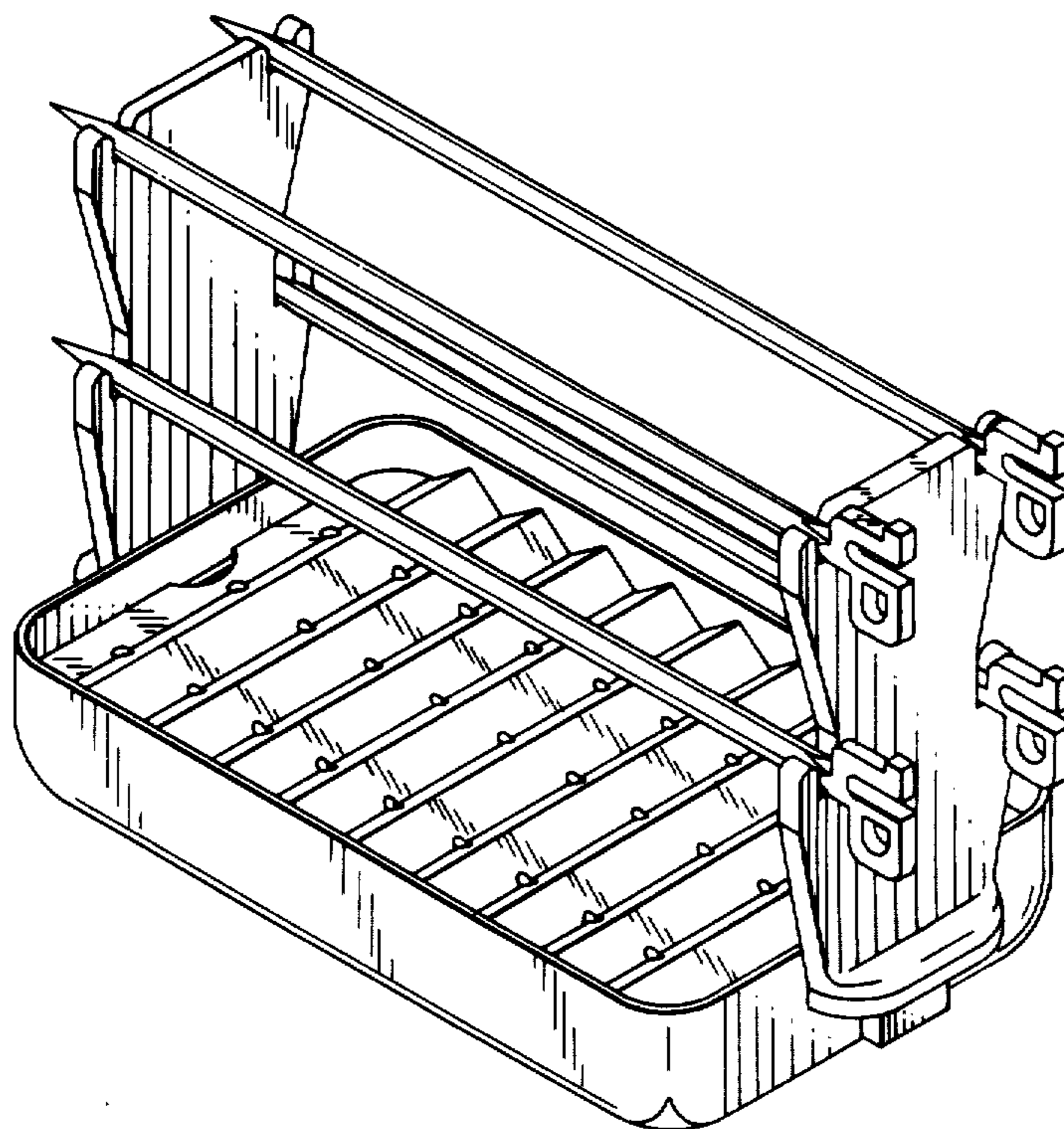
Primary Examiner—Winifred E. Herrmann  
Attorney, Agent, or Firm—Richard D. Law

[57] CLAIM

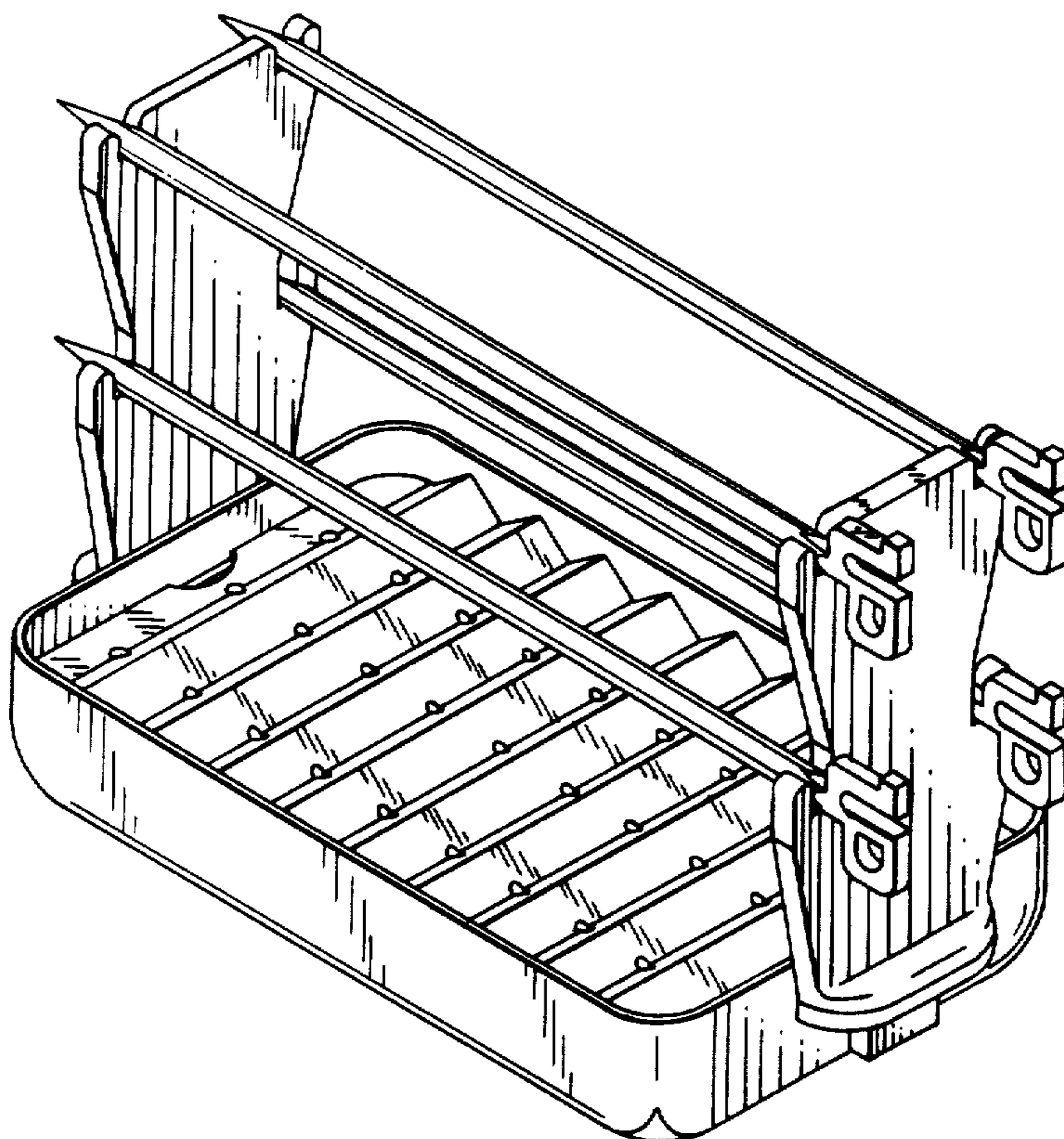
The ornamental design for a combined cooking, roasting and shishkebob pan, substantially as shown.

DESCRIPTION

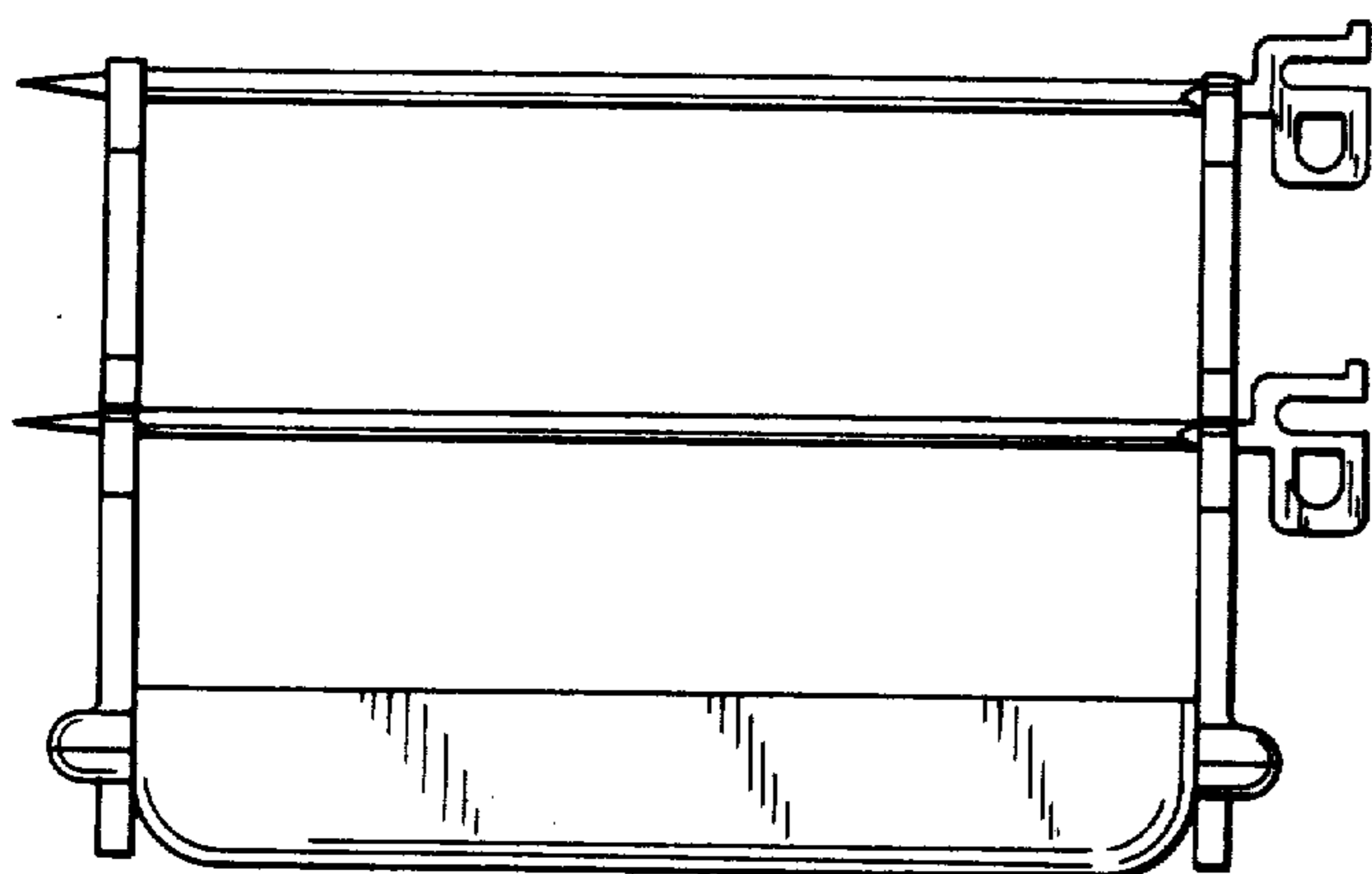
FIG. 1 is a perspective view of a combined cooking, roasting and shishkebob pan showing the new design; FIG. 2 is a side elevational view thereof; FIG. 3 is an end elevational view thereof; FIG. 4 is a top plan view thereof; FIG. 5 is a bottom plan view thereof; and, FIG. 6 is an end view opposite the end shown in FIG. 3.



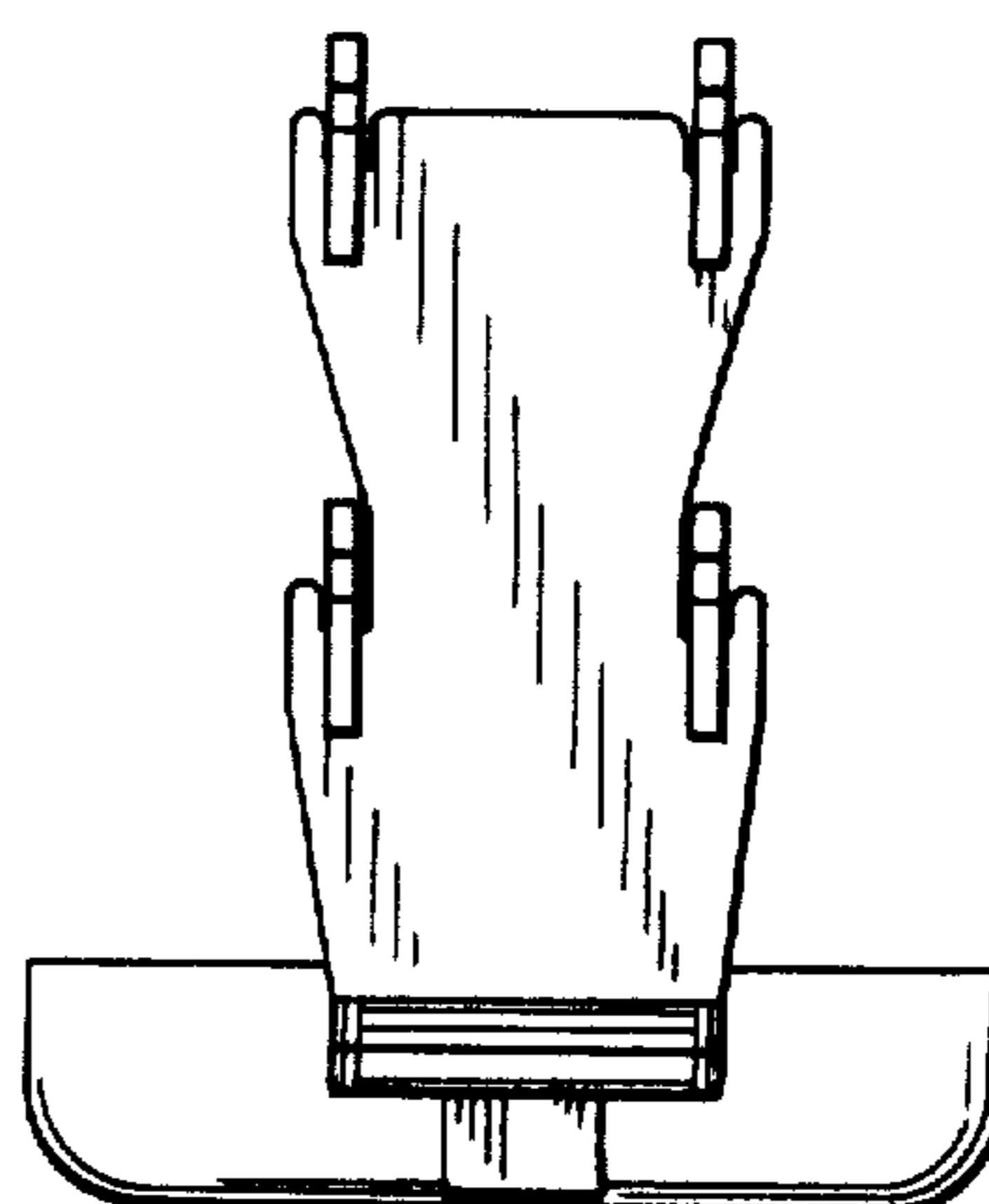
*Fig-1*

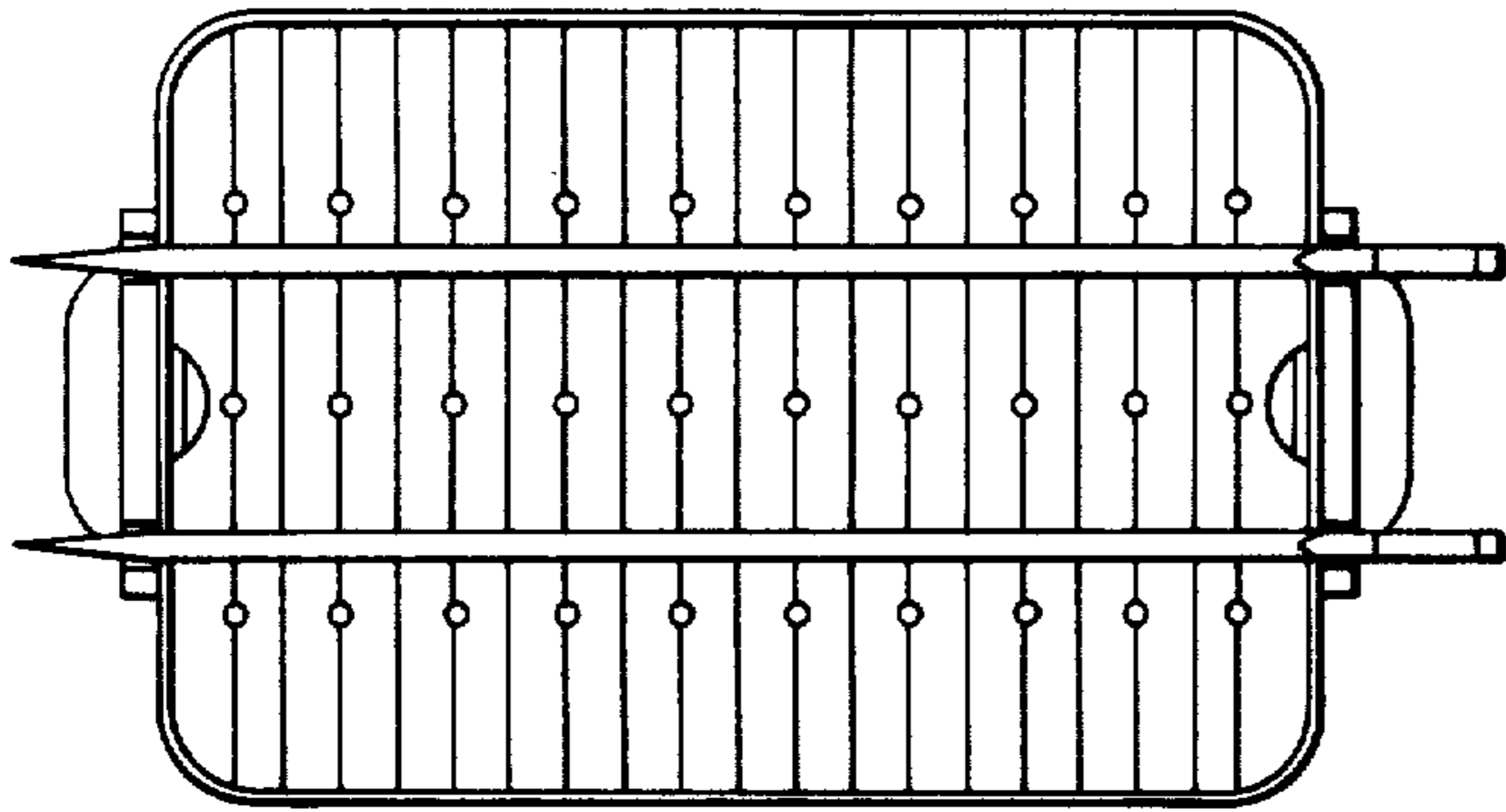


*Fig- 2*

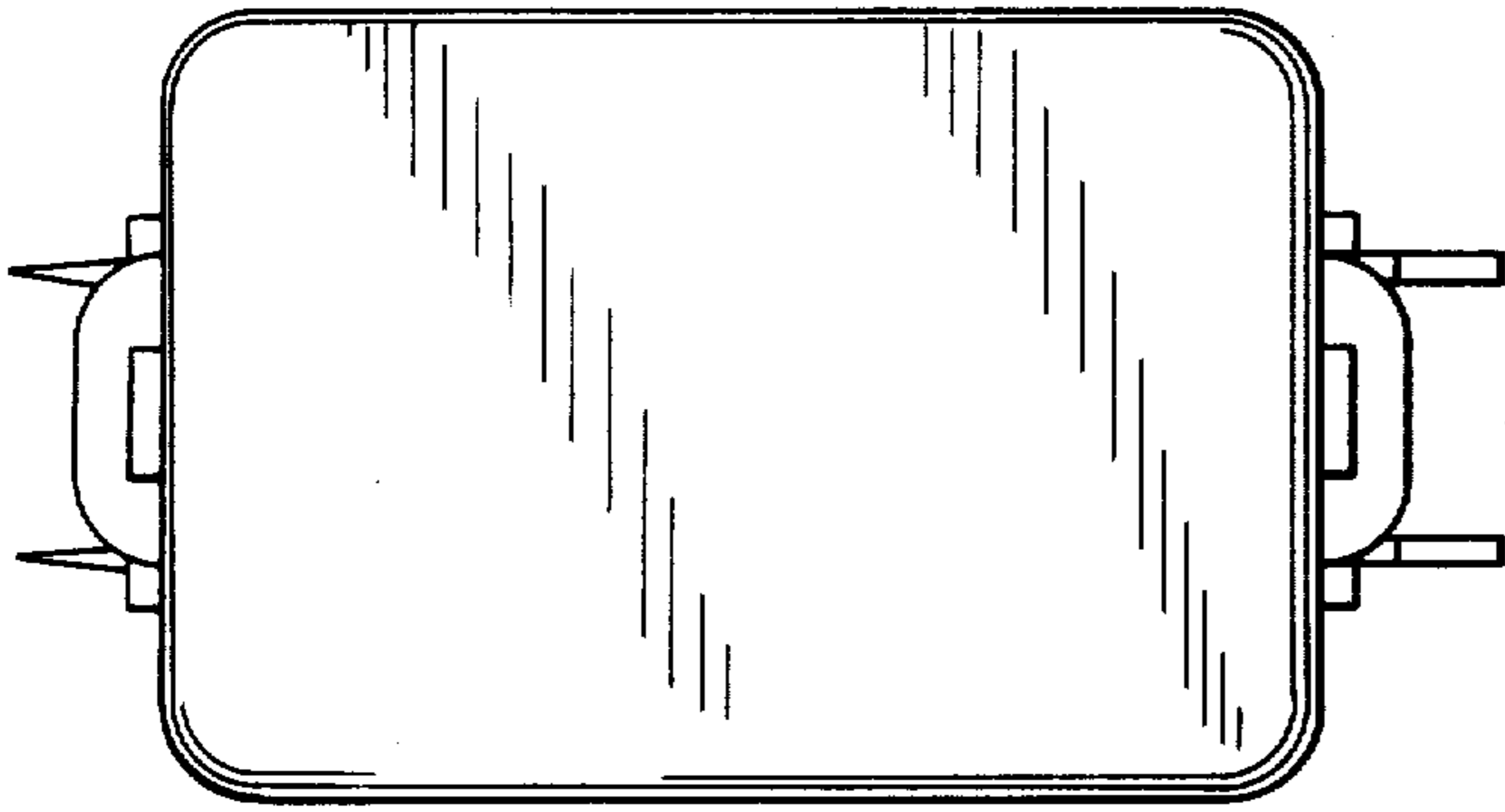


*Fig-3*

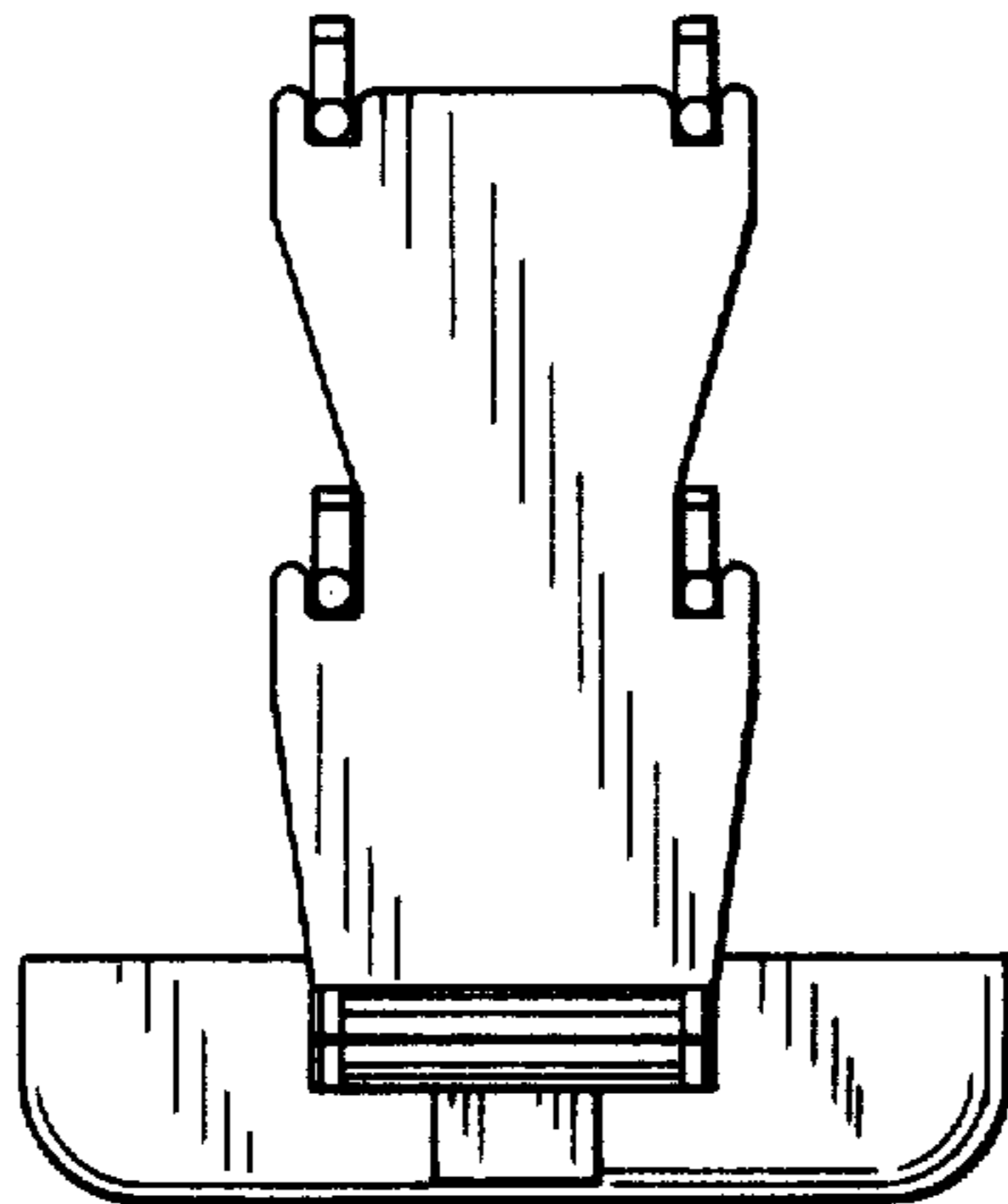




*Fig - 4*



*Fig - 5*



*Fig - 6*