

[54] COMBINED SKIRT AND TROUSER HANGER

[76] Inventor: Leonard Bisk, 7833 Spring Ave., Elkins Park, Pa. 19117

[**] Term: 14 Years

[21] Appl. No.: 20,900

[22] Filed: Mar. 16, 1979

[51] Int. Cl. D6-08

[52] U.S. Cl. D6/253; D6/256

[58] Field of Search D6/113, 247, 249, 251-257; 223/85, 87, 92, 93, 88, 91, 95, 96; 211/113, 119

[56] References Cited

U.S. PATENT DOCUMENTS

| | | | | |
|------------|--------|---------|-------|--------|
| D. 235,403 | 6/1975 | Brown | | D6/252 |
| 2,076,533 | 4/1937 | Fuller | | 223/96 |
| 2,200,669 | 5/1940 | Cook | | D6/253 |
| 2,421,071 | 5/1947 | Kraft | | 223/95 |
| 3,197,095 | 7/1965 | Swanson | | D6/252 |

FOREIGN PATENT DOCUMENTS

| | | | |
|---------|--------|----------------------|---|
| 1779479 | 8/1968 | Fed. Rep. of Germany | . |
| 1543011 | 9/1968 | France | . |

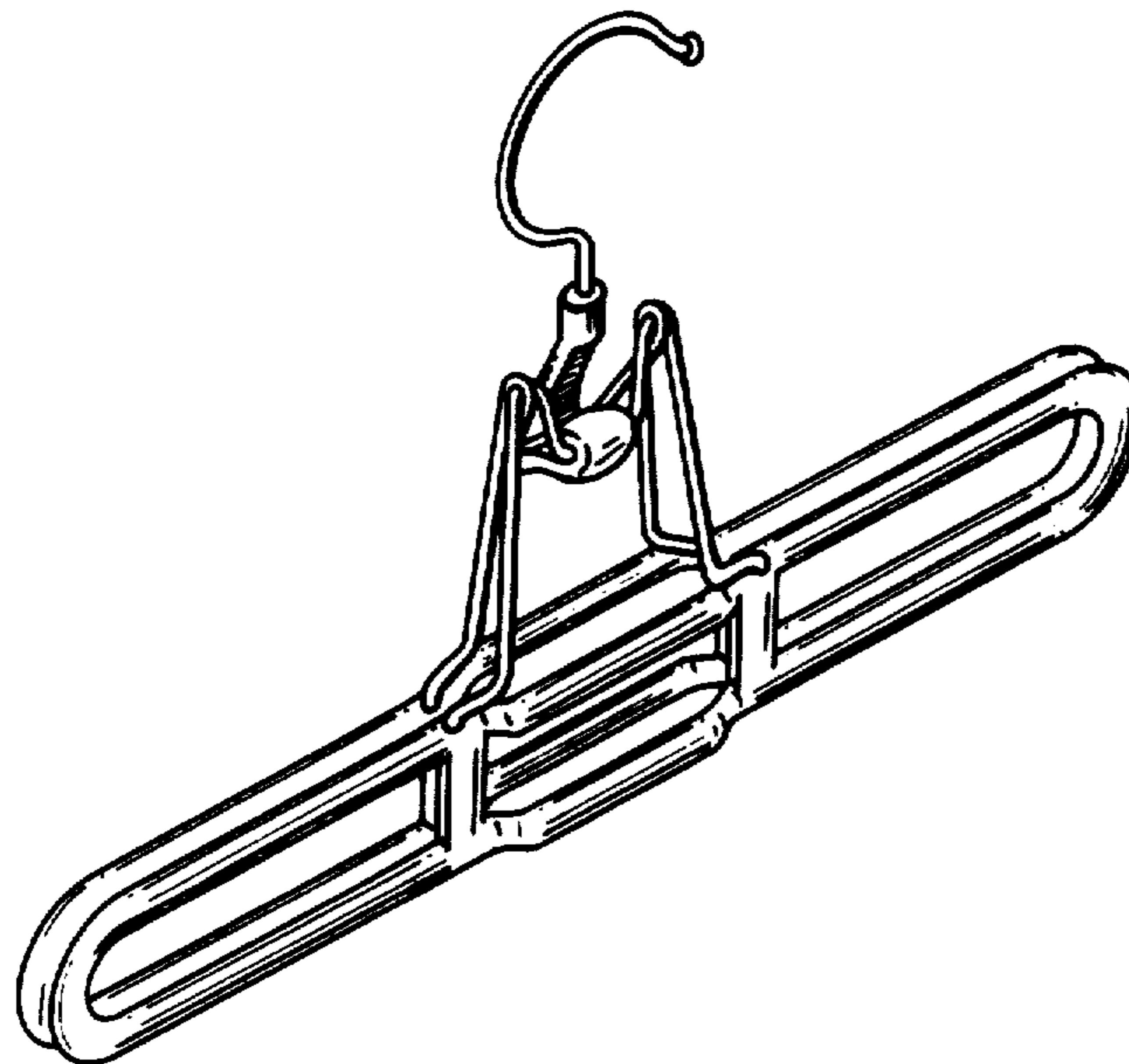
Primary Examiner—B. J. Bullock
Attorney, Agent, or Firm—Caesar, Rivise, Bernstein & Cohen, Ltd.

[57] CLAIM

The ornamental design for a combined skirt and trouser hanger, substantially as shown and described.

DESCRIPTION

FIG. 1 is a perspective view of a combined skirt and trouser hanger showing my new design;
 FIG. 2 is a front elevational view thereof;
 FIG. 3 is a top plan view thereof;
 FIG. 4 is a side elevational view taken from the right of FIG. 2 thereof;
 FIG. 5 is a rear elevational view thereof;
 FIG. 6 is a bottom plan view thereof;
 FIG. 7 is a side elevational view taken from the left of FIG. 2;
 FIG. 8 is a fragmentary perspective view of the inside of one of the clamping members, shown separately for clarity of illustration; and
 FIG. 9 is a fragmentary perspective view of a second embodiment of the design of FIG. 1, the only difference being the gripping trouser and skirt bar of my means on the inner surface of the clamping member.



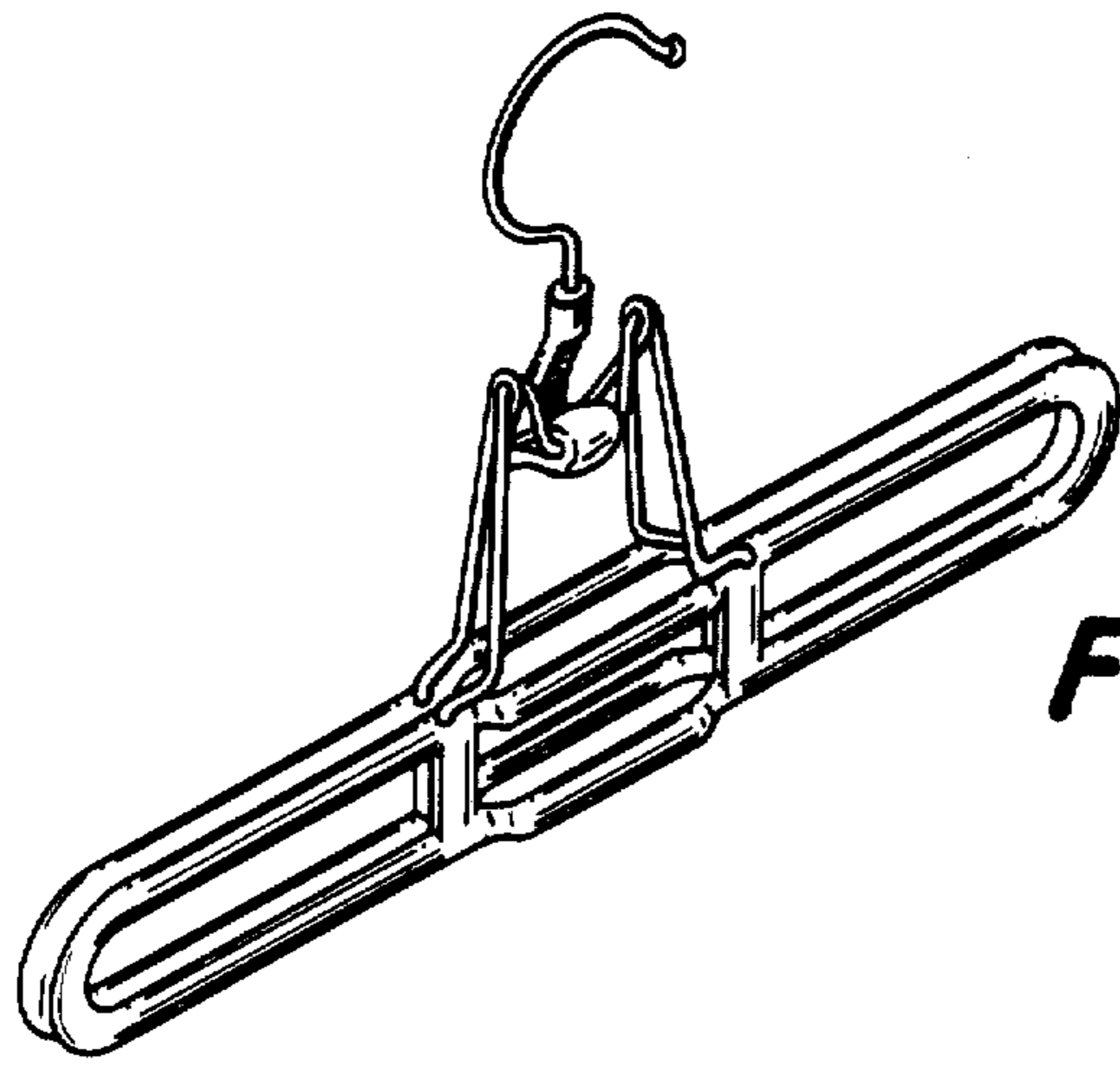


FIG. 1

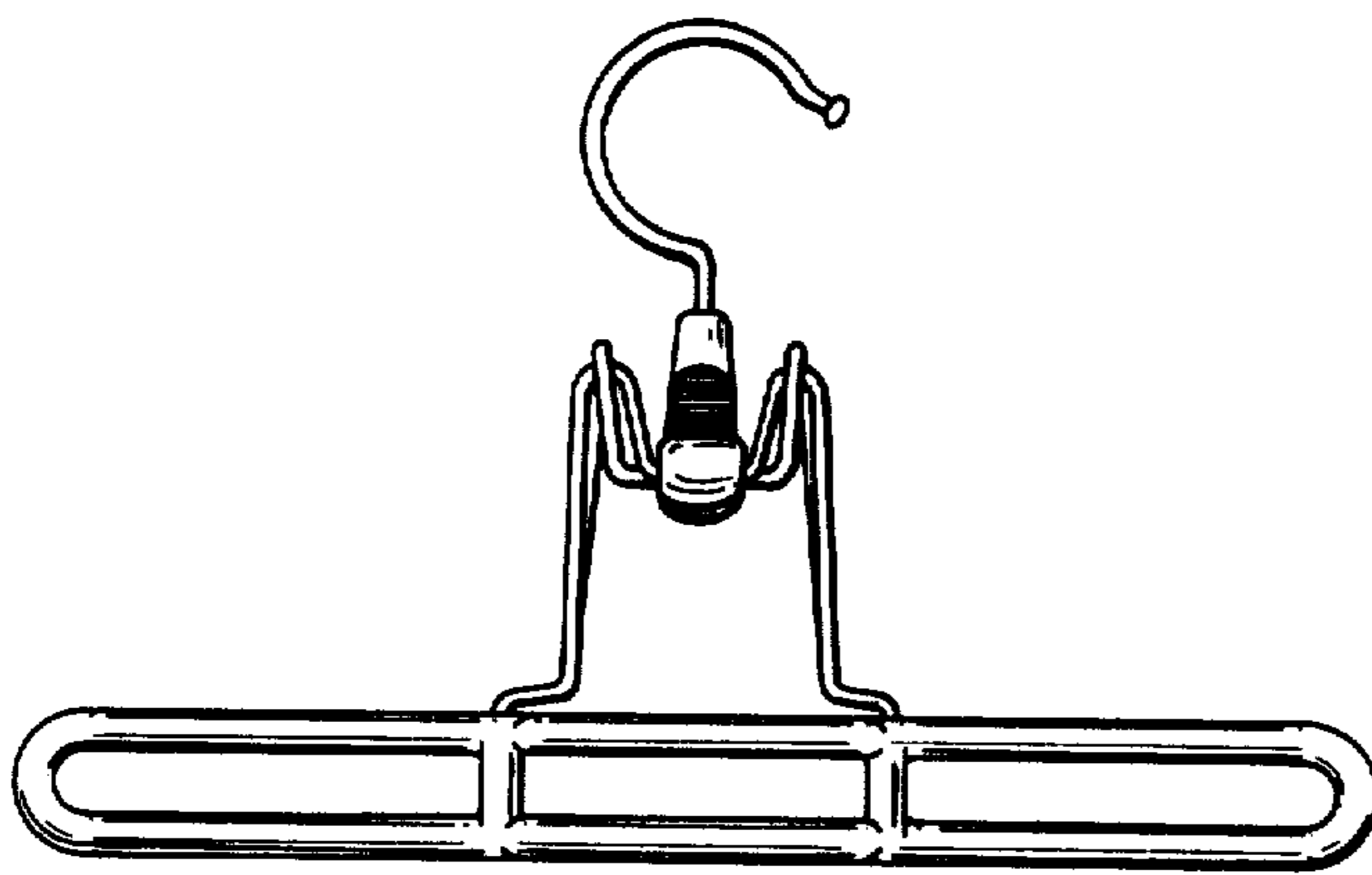


FIG. 2

FIG. 4



FIG. 3



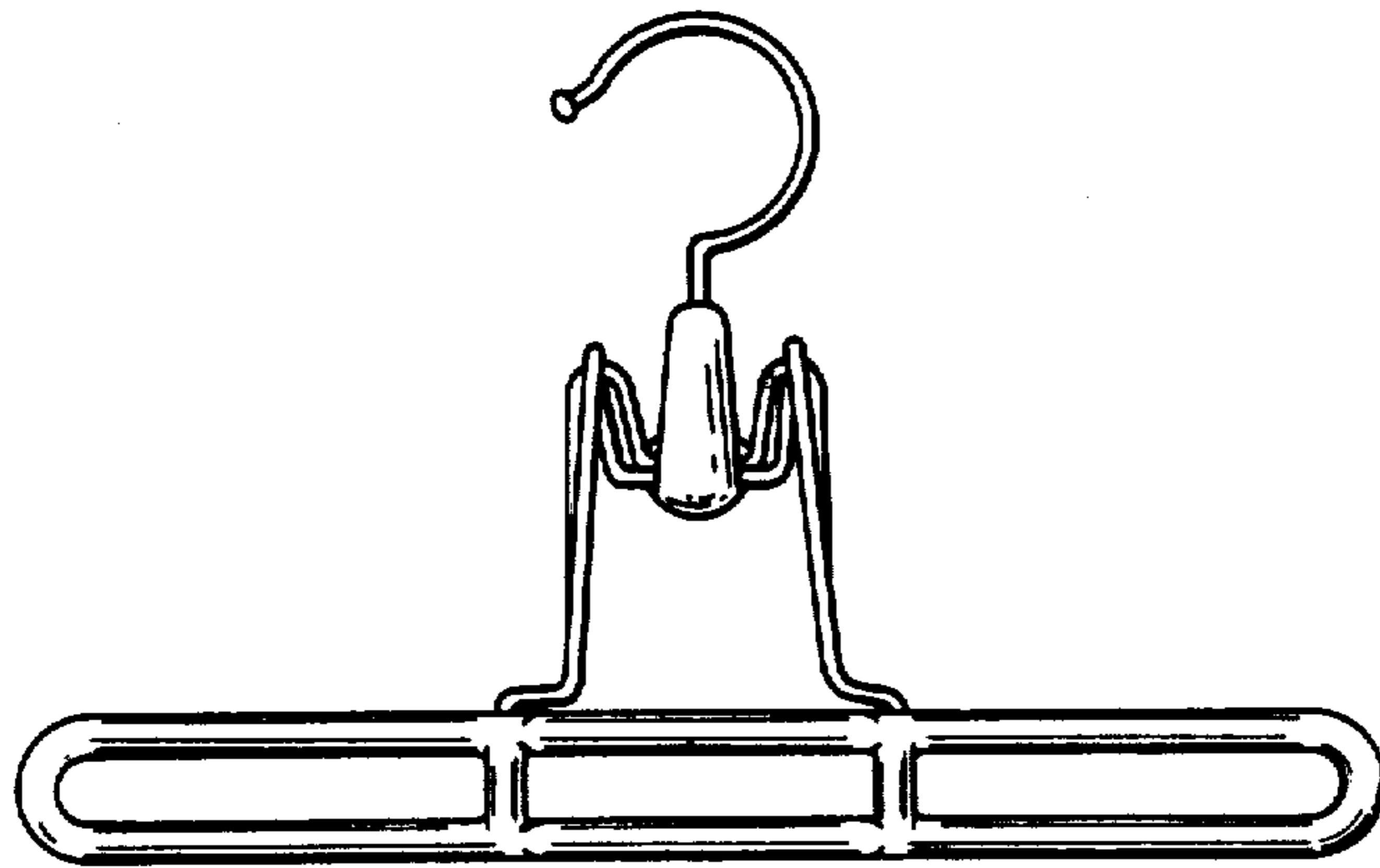


FIG. 5



FIG. 7



FIG. 6

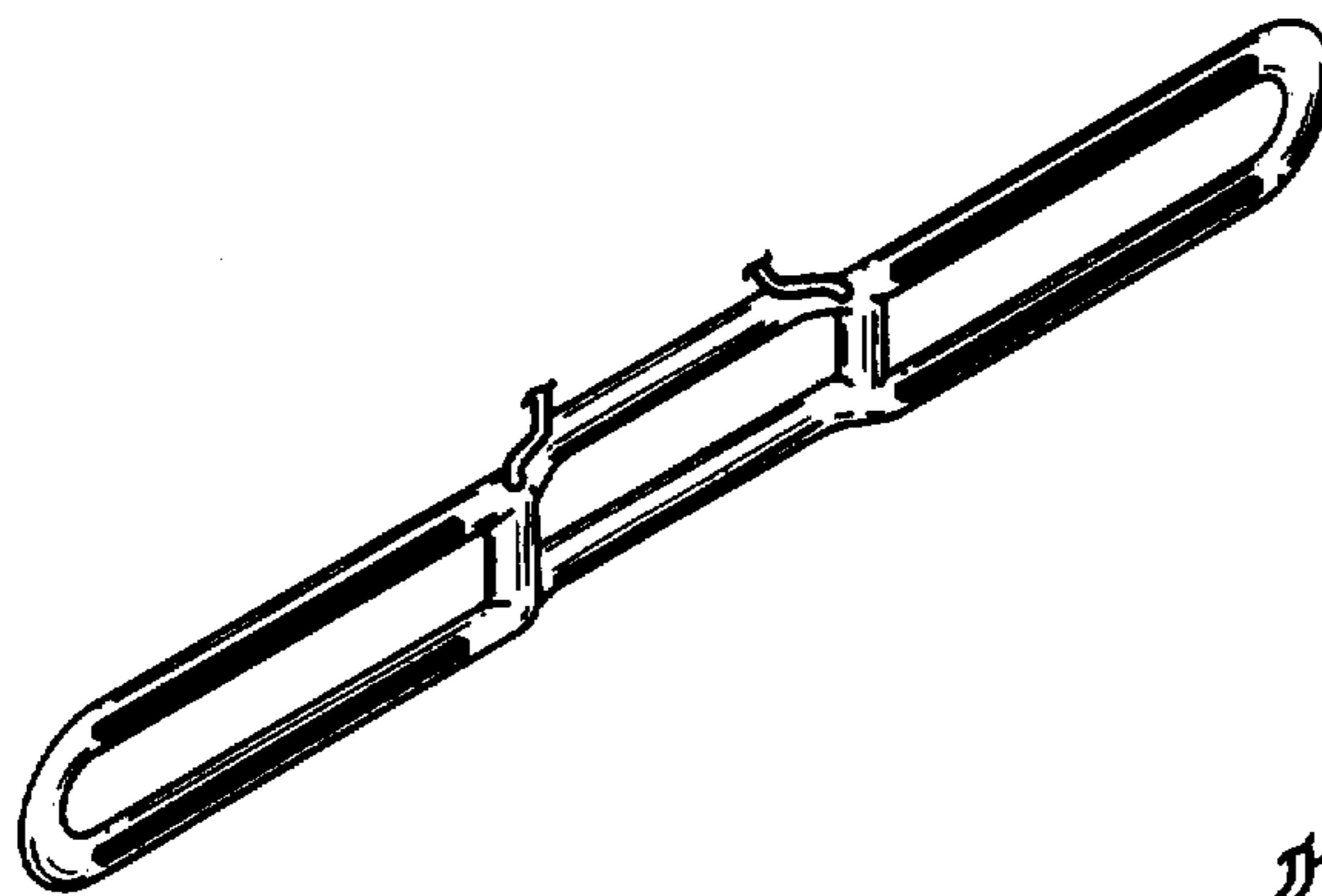


FIG. 8

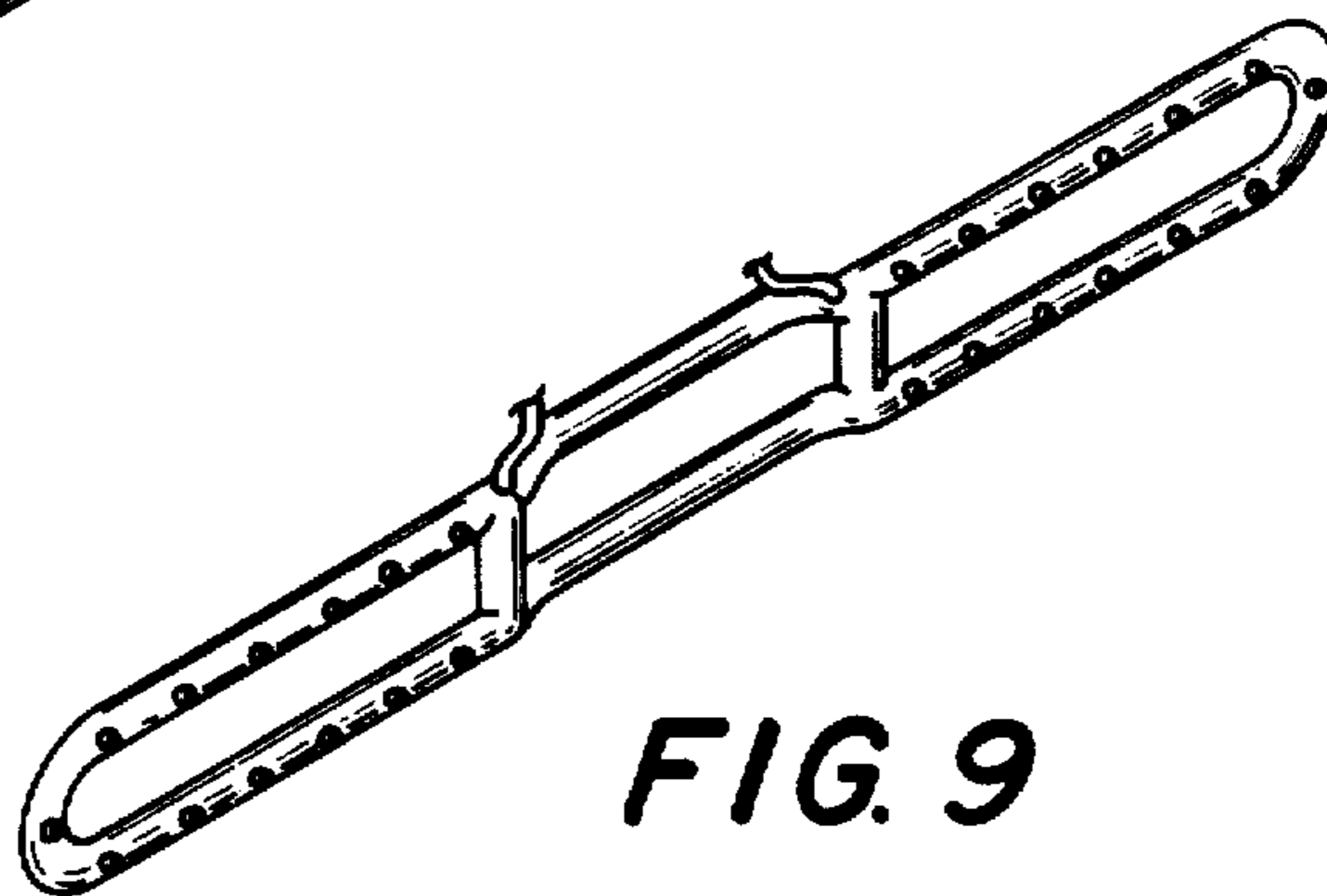


FIG. 9